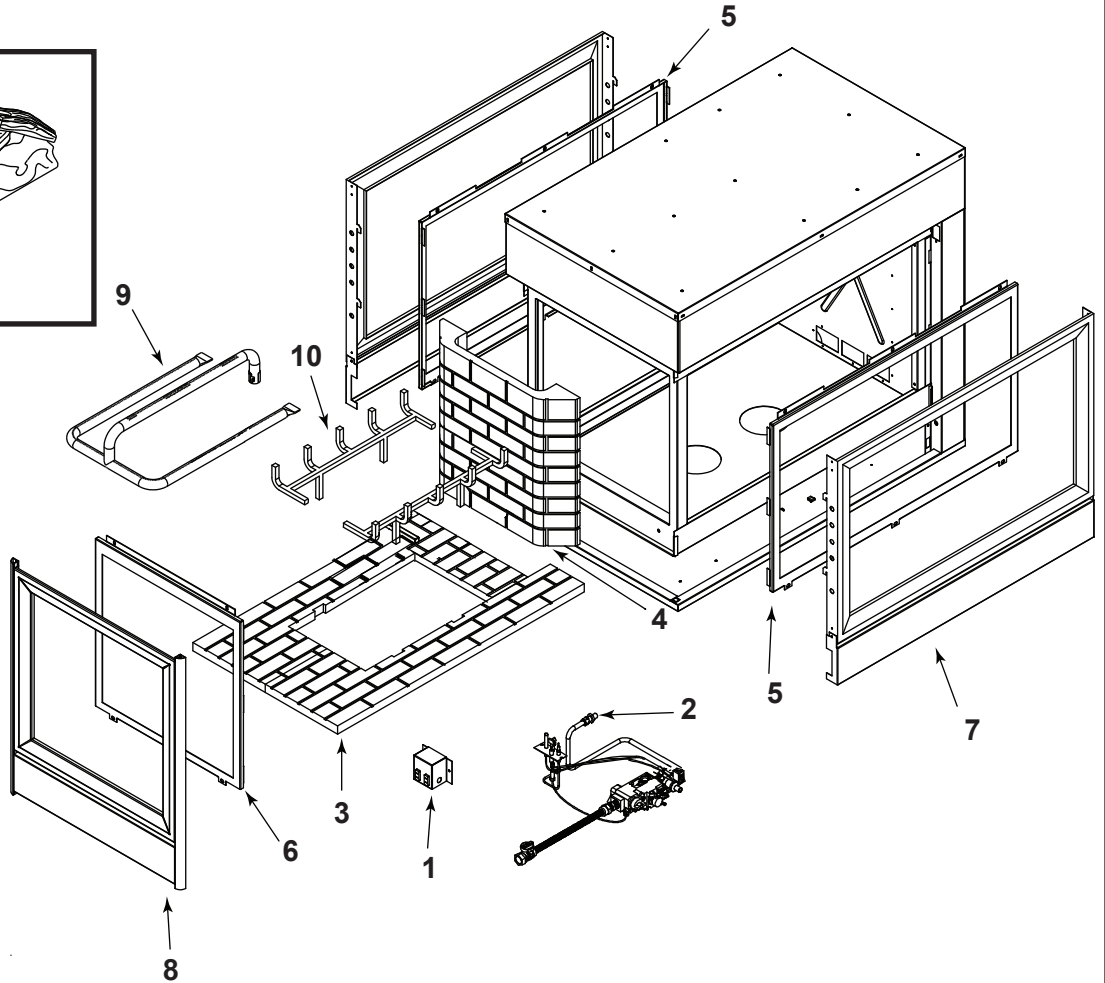
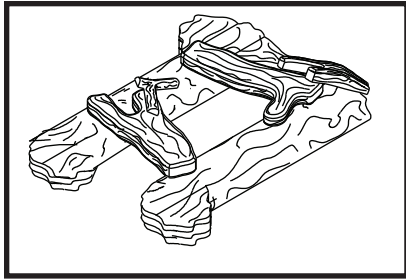


### Log Set Assembly



IMPORTANT: THIS IS DATED INFORMATION. Parts must be ordered from a dealer or distributor. **Hearth and Home Technologies does not sell directly to consumers.** Provide model number and serial number when requesting service parts from your dealer or distributor.



**Stocked at Depot**

ITEM	DESCRIPTION	COMMENTS	PART NUMBER	
	Log Set Assembly	No longer available	ST-LOGS-30	
1	Junction Box - Pilot		100-250A	Y
2	Burner Orifice NG (#30A)	No longer available	062-800.	
	Burner Orifice LP (#45A)	No longer available	409-800	
3	Refractory	No longer available	SRV68-710	
4	Refractory, End	No longer available	SRV62-710	
5	Glass Door Assembly		GLA-PDV-F	Y
6	Glass Door Assembly, End	No longer available	GLA-PDV-FE	
7	Door, Side	No longer available	DF-PIER-PB	
8	Door, End	No longer available	EP-PIER-PB	
9	Burner NG	No longer available	062-325A	
	Burner LP	No longer available	062-327A	
10	Grate Assembly	No longer available	462-361A	



No one builds a better fire

Beginning Manufacturing Date: June 1990  
Ending Manufacturing Date: April 1995

IMPORTANT: THIS IS DATED INFORMATION. Parts must be ordered from a dealer or distributor. **Hearth and Home Technologies does not sell directly to consumers.** Provide model number and serial number when requesting service parts from your dealer or distributor.



**Stocked  
at Depot**

ITEM	DESCRIPTION	COMMNETS	PART NUMBER	
	Bark Deflector Cover	No longer available	062-720	
	Burner Tube	No longer available	570-302A	
	Ember Mesh Assembly	No longer available	062-169	
	Fan Kit		GFK-160A	
	High Temp Limit Switch (NG)	No longer available	SRV99-033Z	
	ON/OFF Rocker Switch		060-521A	Y
	Piezo Ignitor		291-513	Y
	Pilot Assembly NG		446-512A	Y
	Pilot Assembly LP		446-513A	Y
	Thermopile		2103-512	Y
	Pilot Tube		SRV446-301	Y
	Remote		SMART-STAT-HHT	
	Touch Up Paint		TUPB-12	
	Valve NG		060-500	Y
	Valve LP		060-501	Y
	Conversion Kit NG	No longer available	NGK-PDV	
	Conversion Kit LP	No longer available	LPK-PDV	
	Pilot Orifice NG		SRV446-505	Y
	Pilot Orifice LP		SRV446-517	Y
	Regulator NG		SRV060-504	Y
	Regulator LP		SRV060-516	Y
<b>HSI Components</b>				
	High Temp Limit Switch		SRV4021-383	Y
	Ignitor	No longer available	060-593	
	Module	No longer available	060-592	
	Transformer	No longer available	060-599	
	Valve, NG/LP ( LP conversion option included )	No longer available	060-503	