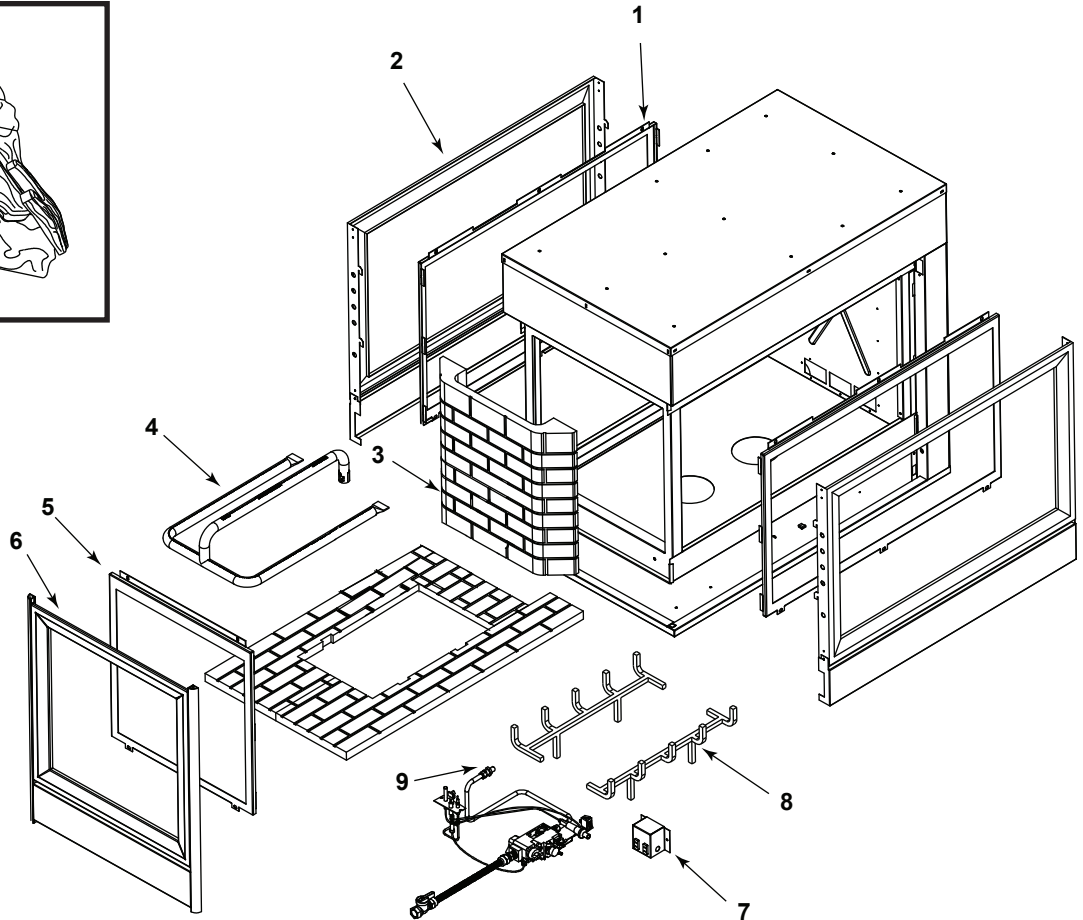
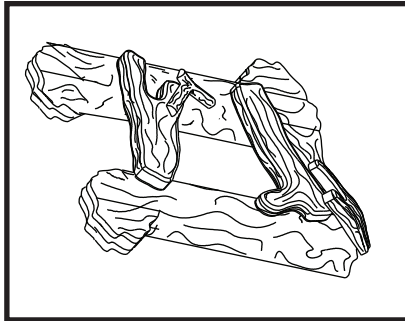


Log Set Assembly



IMPORTANT: THIS IS DATED INFORMATION. Parts must be ordered from a dealer or distributor. **Hearth and Home Technologies does not sell directly to consumers.** Provide model number and serial number when requesting service parts from your dealer or distributor.



Stocked at Depot

ITEM	DESCRIPTION	COMMENTS	PART NUMBER	
	Log Set Assembly (Sold as Set Only)	No longer available	ST-LOGS-30	
1	Glass Door Assembly		GLA-PDV-F	Y
2	Door, Side	No longer available	DF-PIER-PB	
3	Refractory, End	No longer available	SRV68-710	
4	Burner NG	No longer available	062-325A	
	Burner LP	No longer available	062-327A	
5	Glass Door Assembly, End	No longer available	GLA-PDV-FE	
6	Door, End	No longer available	EP-PIER-PB	
7	Junction Box		100-250A	Y
8	Grate Assembly	No longer available	462-361A	
9	Burner Orifice NG (#30A)	No longer available	062-800	
	Burner Orifice LP (#45A)	No longer available	409-800	

No one builds a better fire

Beginning Manufacturing Date: June 1990
Ending Manufacturing Date: April 1995

IMPORTANT: THIS IS DATED INFORMATION. Parts must be ordered from a dealer or distributor. **Hearth and Home Technologies does not sell directly to consumers.** Provide model number and serial number when requesting service parts from your dealer or distributor.



**Stocked
at Depot**

ITEM	DESCRIPTION	COMMENTS	PART NUMBER	
	Bark Deflector Cover	No longer available	062-720	
	Burner Tube	No longer available	570-302A	
	Ember Mesh Assembly	No longer available	062-169	
	Fan Kit		GFK-160A	
	High Temp Limit Switch	No longer available	SRV99-033Z	
	ON/OFF Rocker Switch		060-521A	Y
	Piezo Ignitor		291-513	Y
	Pilot Assembly NG		446-512A	Y
	Pilot Assembly LP		446-513A	Y
	Pilot Tube		SRV446-301	Y
	Thermopile		2103-512	Y
	Remote		SMART-STAT-HHT	
	Touch Up Paint		TUPB-12	
	Valve NG		060-500	Y
	Valve LP		060-501	Y
	Conversion Kit NG	No longer available	NGK-PDV	
	Conversion Kit LP	No longer available	LPK-PDV	
	Pilot Orifice NG		SRV446-505	Y
	Pilot Orifice LP		SRV446-517	Y
	Regulator NG		SRV060-504	Y
	Regulator LP		SRV060-516	Y
HSI Components				
	High Temp Limit Switch		SRV4021-383	Y
	Ignitor	No longer available	060-593	
	Module	No longer available	060-592	
	Transformer	No longer available	060-599	
	Valve, NG/LP (LP conversion option included)	No longer available	060-503	