

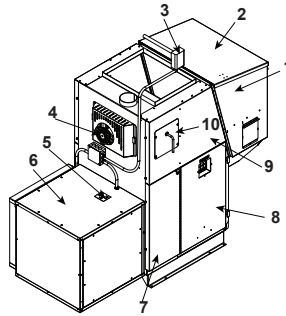
Pellet Furnace

1-70-08100

Last SN# 008353425

Beginning Manufacturing Date: N/A

Ending Manufacturing Date: May 2014



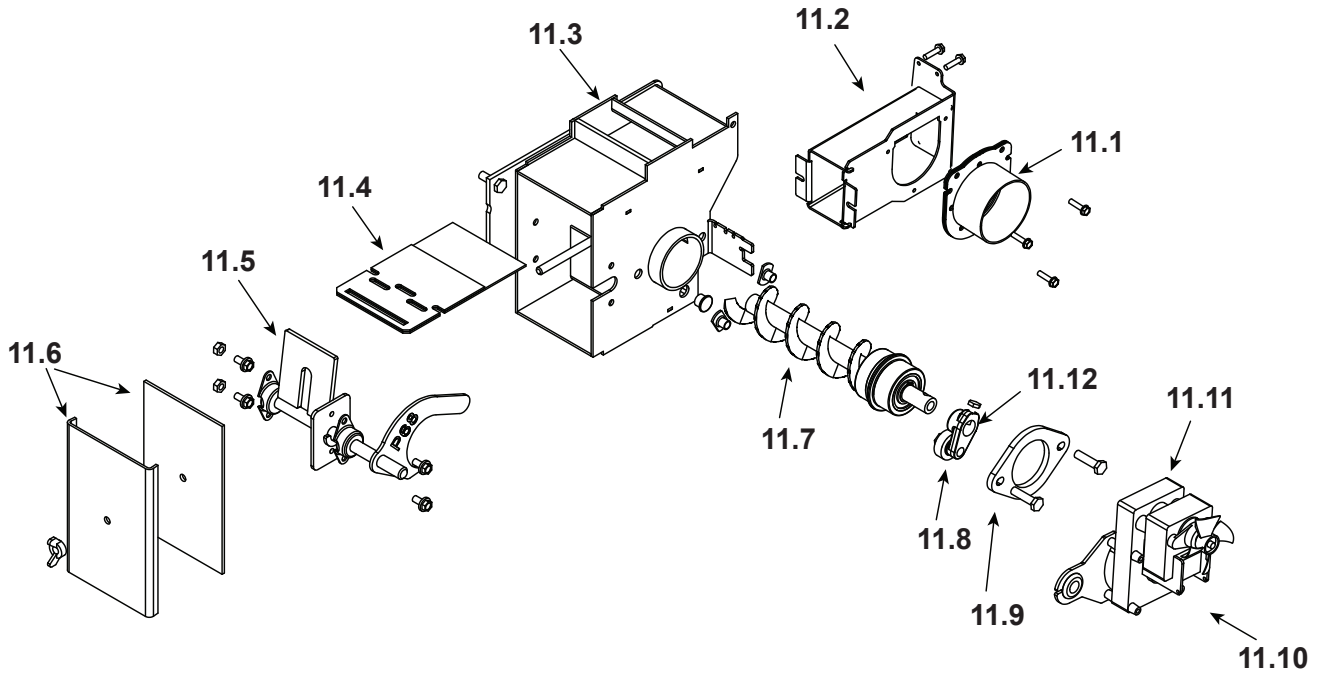
IMPORTANT: THIS IS DATED INFORMATION. Parts must be ordered from a dealer or distributor. **Hearth and Home Technologies does not sell directly to consumers.** Provide model number and serial number when requesting service parts from your dealer or distributor.



**Stocked
at Depot**

ITEM	Description	COMMENTS	PART NUMBER	
1	Hopper Assembly	No longer available	1-10-73329	
		No longer available	1-10-08224A	
2	Hopper Lid Assembly - Swell latch	Pre 004350582 or 008350087	1-10-73333A	
	Hopper Lid Assembly - Spring Latch	Post 004350582 or 008350087	1-10-73491A	
	Swell latch		1-00-199110	Y
	Spring Catch		3-31-00927	Y
	Hopper Muffler and Fittings	1 set	1-00-18186618	Y
	Hopper Lid Catch		2-00-72166B	
	Hinge, Hopper Lid		3-31-73325	
	Gasket, Hopper Lid	10 Ft	1-00-00248	Y
3	Fan Control / High limit		3-20-23139	Y
4	Combustion Blower	Fan blade not included	3-21-08639	Y
	Mounting Plate		1-10-73416	
	Grommets & Spacers	Pkg of 25	1-00-960026	
	Fan Blade, Feed Motor	Pkg of 3	3-20-09302-3	Y
	Fan Blade, 5" Single Paddle (Combustion Blower)	Commonly required for Combustion Blower replacement	3-20-40985	Y
	Fan Blade, 5" Double (high altitude)		3-20-502221	Y
	Comb Blower Mounting Screws (Pkg of 100)		1-00-53483208	
	Comb Blower Heat Shield		2-00-73339	
5	Toggle Switch - 3 Speed		3-20-70020	Y
6	Filter box kit		1-00-20201	
7	Bottom Cover	Front	2-00-73338-15S	
		Rear	2-00-73340-15S	
8	Ash Door		1-10-73323-15A	
9	Top Cover	Front	2-00-73411-15S	
		Rear	2-00-73412-15S	
10	Shaker Cover		2-00-73335-15S	
	Shaker Weldment		1-10-73354	
	Chain, Shaker	Set of 8	1-00-003027	

#11 Feeder Assembly Pre SN 004350582 or 008350087



IMPORTANT: THIS IS DATED INFORMATION. Parts must be ordered from a dealer or distributor. **Hearth and Home Technologies does not sell directly to consumers.** Provide model number and serial number when requesting service parts from your dealer or distributor.

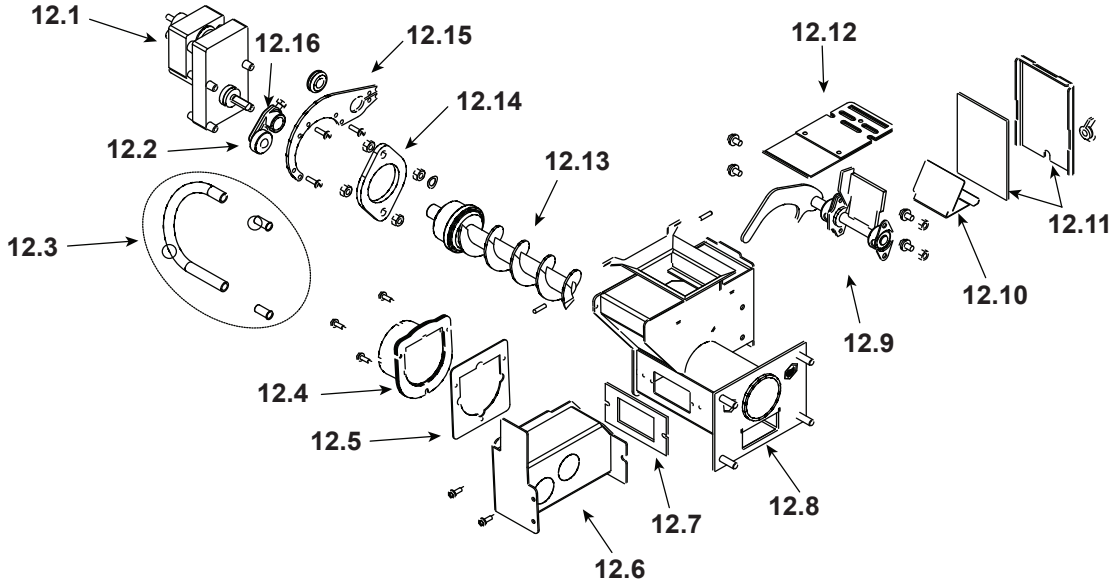


**Stocked
at Depot**

ITEM	Description	COMMENTS	PART NUMBER	
11	Feeder Assembly		1-10-08113A	
11.1	Air Intake Damper Assembly	No longer available	1-10-06466W	
11.2	Air Intake Weldment		1-10-773843	
11.3	Feeder Repair Kit		1-00-677150	Y
11.4	Slide Plate Assembly		1-10-08037	Y
11.5	Pusher Arm Assembly		1-10-08048	Y
	Pillow Block	Pkg of 4	3-31-3614087-4	Y
11.6	Feed Cover and Gasket	No longer available	2-00-247217B	
11.7	Auger Assembly		3-50-00465	Y
11.8	Cam Bearing		3-31-3014	Y
11.9	Bearing Flange w/Hardware		1-00-04035	Y
11.10	Bracket, Gear Motor	No longer available	1-00-01534	
11.11	Gear Motor, 6 RPM		3-20-09302	Y
11.12	Cast Cam Block		3-00-00153	Y
	Gasket Feeder Air Intake	Pkg of 6	3-44-72224-6	Y
	Motor Bracket Grommets	Pkg of 12	3-31-2761-12	

Additional service parts on following page.

#12 Post Feeder Assembly SN #004350582 or 008350087



IMPORTANT: THIS IS DATED INFORMATION. Parts must be ordered from a dealer or distributor. **Hearth and Home Technologies does not sell directly to consumers.** Provide model number and serial number when requesting service parts from your dealer or distributor.



Stocked
at Depot

ITEM	Description	COMMENTS	PART NUMBER	
12.1	Pellet Feeder Gear Motor, 10 RPM		3-20-02524	Y
12.2	UL Feeder Cam		3-31-3014	Y
12.3	Feeder Air Crossover Kit		1-00-67900	Y
	9MM Silicone Tube	5 Ft	1-00-511427	Y
12.4	Pellet Air Intake Assembly		1-10-06810A	
12.5	Gasket Feeder Air Intake	Pkg of 6	3-44-72224-6	Y
12.6	UL Feeder Air Intake		1-10-72222	
12.7	Gasket Ultra Air Intake	Pkg of 10	3-44-677160-10	Y
12.8	Ultra Feeder Weldment		1-10-72226S	Y
12.9	UL Feeder Pusher Arm		1-10-677187W	Y
	Pillow Block	Pkg of 4	3-31-3614087-4	Y
12.10	Fines Deflector	No longer available	2-00-677138-10	
12.11	Gasket, UL Feeder Cover		1-00-677122	Y
12.12	Slide Plate Assembly		1-10-677121A	Y
12.13	UL Feeder Auger Assembly		3-50-00565	Y
12.14	Bearing Flange w/Hardware		1-00-04035	Y
12.15	UL Feeder Gear Motor Bracket w/Grommet		1-00-247406	Y
12.16	UL Feeder Cam Block		3-00-677154	Y
	Gasket, Hopper Throat	Post 004350582 or 008350087	3-44-677185	Y

Additional service parts on following page.

IMPORTANT: THIS IS DATED INFORMATION. Parts must be ordered from a dealer or distributor. **Hearth and Home Technologies does not sell directly to consumers.** Provide model number and serial number when requesting service parts from your dealer or distributor.



**Stocked
at Depot**

ITEM	Description	COMMENTS	PART NUMBER	
	A/C double Pole relay		3-20-38056	Y
	Arrow Burn Pot Scraper	Pkg of 10	2-00-773850-10	
	Ash Door Ash Slide		2-00-73371B	
	Ash Pan		1-10-73351	Y
	Blower Air Jacket		2-00-73334B	
	Blower Box, Access Side		2-00-73423B	
	Blower Box, Cover		2-00-73429B	
	Blower Box, Top or Bottom		2-00-73424B	
	Brick Ledge		1-10-73347W	
	Fire Brick 12 x 6 x 1.25"		3-40-86125	Y
	Burn Pot Weldment		1-00-73560	Y
	Ceramic Insert	Pkg of 10	3-20-05238-10	Y
	Clean Out Cover	2 Sets	1-00-06623	Y
	Igniter Cradle Assembly, 3 Sets	Pre 004351831	1-00-777907	Y
	Thumb Screw	Pkg of 10	3-31-782108-10	Y
	Gasket, Burn Pot	Post 008350087	3-44-237639	Y
	Gasket Set, Burn Pot & Tailpipe (Pkg of 5 Sets)	Pre 008350087	1-00-07381	Y
	Gasket, Burn Pot	Post 008350087	3-44-724115	Y
	Flame Guide		3-00-08534	Y
	Flame guide insulator		3-44-35263	Y
	Cable 2 Pair twisted cat 3 (50' for wall control)		3-20-02583	
	Circuit Board w/Knobs & Shafts		1-00-05888	Y
	Circuit Plate, studded w/label		1-10-07330	
	Control Knob/ Shaft	25 Sets	1-00-015605	Y
	Fuse, 5 AMP	Pkg of 5	3-20-23705-5	Y
	Circuit breaker 10 Amp (orange - on/off switch)		3-20-334110	Y
	Circuit breaker harness - to control board	Pre 008350087	3-20-04947	
		Post 008350087	3-20-73369	
	Conduit, 3/8" Flexible	7 Ft	1-00-25043	Y
	Control Cover, Painted		2-00-73362B	
	Diagnostic Display Module		3-20-05401	Y
	DDM Replacement Cable		1-00-05402	
	Differential Pressure Switch		3-20-6866	Y
	Disconnects, Male	Pkg of 25	1-00-00957	Y
	Disconnects, Female	Pkg of 25	1-00-00959	Y
	Distribution Blower mounting bracket	Qty 2 req	2-00-73430B	
	Distribution Blower (motor only) 1000 cfm		3-20-36648	Y

Additional service parts on following page.

IMPORTANT: THIS IS DATED INFORMATION. Parts must be ordered from a dealer or distributor. **Hearth and Home Technologies does not sell directly to consumers.** Provide model number and serial number when requesting service parts from your dealer or distributor.



Stocked
at Depot

ITEM	Description	COMMENTS	PART NUMBER	
	Distribution Blower assembly 1000 Cfm		1-10-01006	Y
	Air filter - 20 x 20 x 1	Pkg of 12	3-40-20201-12	
	Blower assembly 1450 Cfm		1-00-00862	Y
	Blower assembly 1638 Cfm		3-21-19599	
	Draft Meter Assembly		1-00-00637	Y
	Draft Meter Bolt & Tube		1-00-04004	
	ESP (Exhaust Sensing Probe)	Black wires	3-20-11744	Y
	ESP (Exhaust Sensing Probe)	Red wires	3-20-00844	Y
	Feeder Cover, Painted		2-00-73327B	
	Feeder Cover Filler, Painted	No longer available	2-00-73359B	
	Flex Connector, 3/8" Straight		3-20-1000	
	Gasket, Chain shaker	Pkg of 2	3-44-08100-2	Y
	Heat exchanger baffle - bottom		2-00-73314	Y
	Heat exchanger baffle - top		1-00-73418	
	Ignition Air Pump (Pressure Igniton)	Post 008350087	SRV8787-010	Y
	Air Pump Bracket		2-00-853500B	Y
	Igniter Element	Pre 008350087	3-20-677200	Y
		Pkg of 10	1-00-677200	Y
	Igniter Element (Pressure Ignition)	Post 008350087	1-00-10450	Y
	Inner Ash door Assembly		1-10-73321A	
	Gasket, 1/4" Rope Black w/PSA (Glass)	15 Ft	1-00-2312	Y
	Inner ash door gasket	10 Ft	1-00-00539	Y
	Inner ash door glass w/Gasket		1-00-5555	
	Inner Ash Door Hinge		1-10-08735W	
	Inner ash door spacer set w/gasket		1-00-232074	
	Junction box harness		3-20-04948	
	Labels, Caution & Danger	Pkg of 10	1-00-200408541	
	Low fuel sensor		4-20-03835	Y
	Outside Air Termination Cap		1-10-09542	
	Flex pipe 2-3/4" (12-1/2") (use standard 3" Pipe)	No longer available	2-00-08544	
	Flex pipe 2-3/4" (25') (Use standard 3" pipe)	No longer available	2-00-08545	
	Ring Terminal	Pkg of 25	1-00-01003	Y
	Silicone Tubing, 1/4"	5 Ft	1-00-5113521	Y
	Silicone Tubing, 1/8"	5 Ft	1-00-5113574	Y
	Sleeve Bushing, 3/8 OD x 5/16 OAL	Pkg fo 5	3-50-08288-5	Y
	Steel Box, 4 x 4		3-20-52171	
	Terminal block for power supply - 3 Position		3-20-03018	Y
	Thermostat (wall control)		3-20-08101	Y
	Thermostat extension 4 Pole		3-20-04946	
	Touchup Paint, Prepaint Aerosol		3-42-7737	