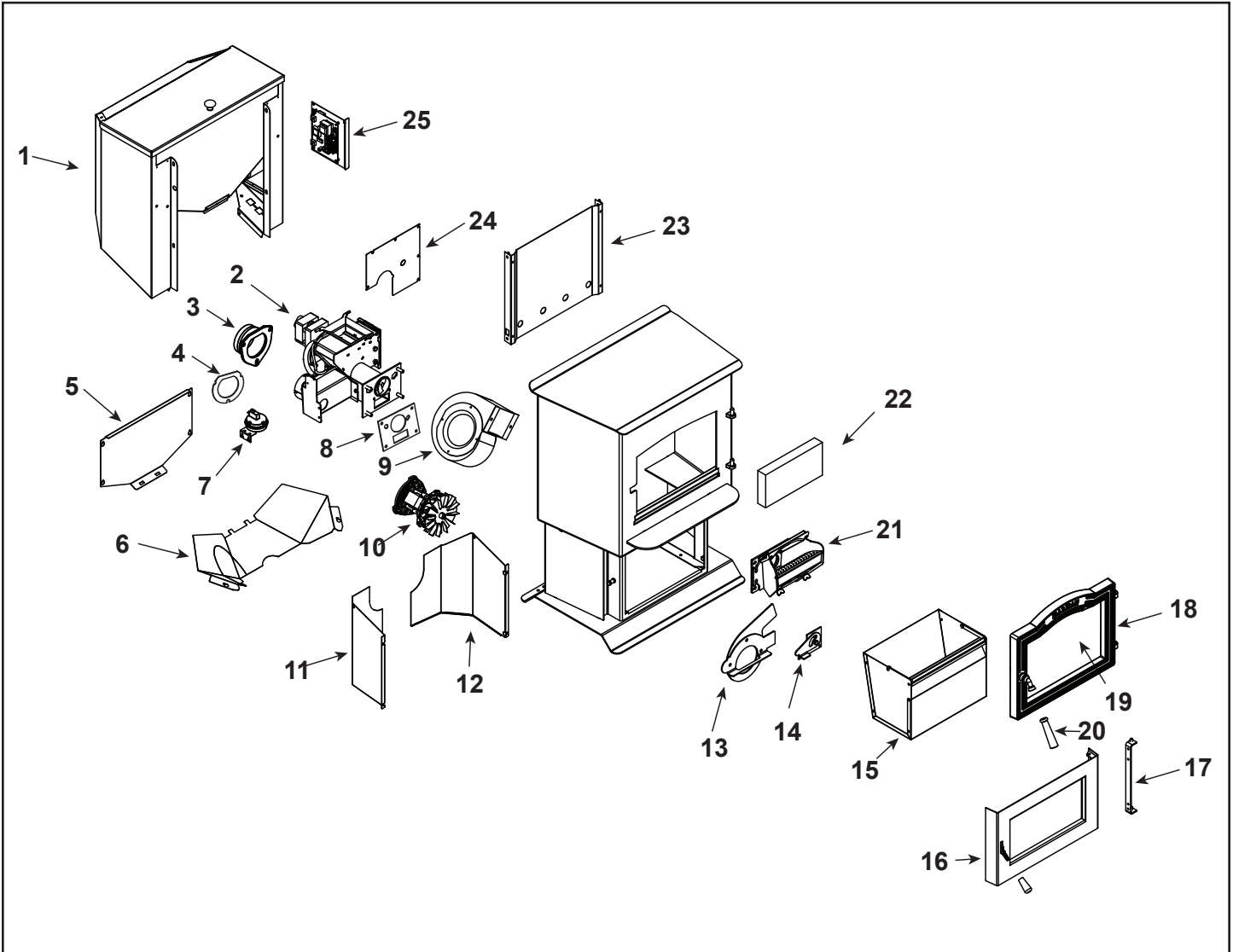


Retired Units

1-90-04300-2 (Charcoal)(June 2011)
1-90-04300-3 (Goldenfire) (June 2011)
1-90-04300-4 (Metallic Blue) (Jan 2010)

1-90-04300-5 (Honey Glo) (June 2009)
1-90-04300-10 (Mojave Red) (Jan 2010)
1-90-04300-12 (Forest Green) (Jan 2010)

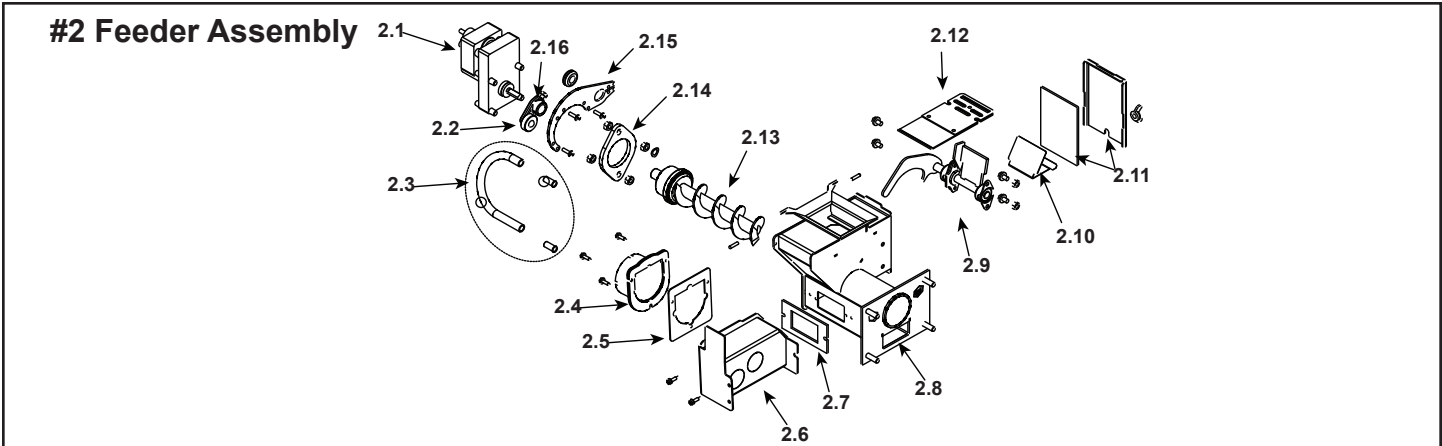


IMPORTANT: THIS IS DATED INFORMATION. Parts must be ordered from a dealer or distributor. **Hearth and Home Technologies does not sell directly to consumers.** Provide model number and serial number when requesting service parts from your dealer or distributor.



Stocked at Depot

ITEM	Description	COMMENTS	PART NUMBER	
1	Hopper Assembly		1-10-04300	Y
	Hopper Knob	Post 008168147	1-00-02000-1	
	Hopper Latch Assembly	Post 008168147	1-00-773901	
	Hopper Lid w/Hinge, Swell Latch	Pre 008168147	1-10-08518	
	Hopper Lid w/Hinge, Knob	Post 008168147	1-10-773900	
	Hopper Switch 48"	Post 008084166	3-20-232108	Y
	Hopper Extension Switch Kit		1-00-06826	Y



IMPORTANT: THIS IS DATED INFORMATION. Parts must be ordered from a dealer or distributor. **Hearth and Home Technologies does not sell directly to consumers.** Provide model number and serial number when requesting service parts from your dealer or distributor.



Stocked at Depot

ITEM	Description	COMMENTS	PART NUMBER	
2	Feeder Assembly		1-10-09535A	
2.1	Pellet Feeder Gear Motor, 4RPM		3-20-60906	Y
2.2	UL Feeder Cam Bearing		3-31-3014	Y
2.3	Feeder Crossover Kit		1-00-67900	Y
	9MM Silicone Tube	5 Ft	1-00-511427	Y
2.4	Pellet Air Intake Assembly		1-10-06810A	
2.5	Gasket Feeder Air Intake	Pkg of 6	3-44-72224-6	Y
2.6	UL Feeder Air Intake		1-10-72222	
2.7	Gasket Ultra Air Intake	Pkg of 10	3-44-677160-10	Y
2.8	Ultra Feeder Weldment		1-10-724132	Y
2.9	UL Feeder Pusher Arm		1-10-677187W	Y
2.10	Fines Deflector	No longer available	2-00-677138-10	
2.11	Gasket, UL Feeder		1-00-677122	Y
2.12	Slide Plate Assembly		1-10-677121A	Y
2.13	UL Feeder Auger Assembly		3-50-00565	Y
2.14	Bearing Flange w/Hardware		1-00-04035	Y
2.15	UL Feeder Gear Motor Bracket w/Grommet		1-00-247406	Y
2.16	UL Feeder Cam Block		3-00-677154	Y
	Hopper Switch Feeder Fitting	Pkg of 2	1-00-142818	Y
	Motor Bracket Grommet	Pkg of 12	3-31-2761-12	
	Pillow Block	Pkg of 4	3-31-3614087-4	Y
	Silicone Tubing, 1/8"	5 Ft	1-00-5113574	Y
3	Flue Tail Pipe		3-00-247237	Y
4	Gasket, Burn Pot/Tailpipe	Pkg of 5	1-00-07381	Y
5	Auger Motor Cover		2-00-773843P	Y
6	Auger Motor Shield		2-00-773815P	Y
7	Differential Switch		3-20-6866	Y
8	Gasket, Burn Pot/Tailpipe	Pkg of 5	1-00-07381	Y

Additional service parts on following page.

IMPORTANT: THIS IS DATED INFORMATION. Parts must be ordered from a dealer or distributor. **Hearth and Home Technologies does not sell directly to consumers.** Provide model number and serial number when requesting service parts from your dealer or distributor.



Stocked
at Depot

ITEM	Description	COMMENTS	PART NUMBER	
9	Distribution Blower		3-21-33647	Y
10	Combustion Blower		3-21-08639	Y
	Combustion Blower Mounting Screws (Pkg of 100)	Commonly required for Combustion Blower replacement	1-00-53483208	
	Fan Blade, 5" Double Paddle (Combustion Blower)		3-20-502221	Y
11	Rear Cover Left		2-00-773828-1P	Y
12	Rear Cover Right		2-00-773828-2P	Y
13	Comb Intake Weldment		1-10-08516S	Y
14	Retainer Assembly		1-10-08533S	Y
15	Ash Pan		1-10-7738108A	Y
16	Ash Door Assembly	Pre 008168147	1-10-7738106A	
		Post 008168147	1-10-773904A	
	Wood Handle	Pre HF183104	3-40-08746-3	
		Post HF183104	1600663	Y
17	Bolt on Hinge		2-00-06968B	
18	Cast Door Frame		4-00-06800P	
	Cast Door w/Glass		1-10-06800A	
19	Glass Panel w/Gasket		1-00-950133647	Y
20	Door Handle Assembly		1-00-453001	Y
	Contains: Handle, 6 mm Washer, SHCS, handle, Elbow, Paw (Cast), SSS, Bhcs.			
	Wooden Handle w/Hardware, Load Door		1-00-00247	Y
21	Burn Pot Weldment		1-10-00675	Y
	Flame Guide		3-00-03000	Y
	Clean Out Cover	2 Sets	1-00-06623	Y
	Thumb Screw	Pkg of 10	3-31-782108-10	Y
	Cradle Assembly			
	Igniter Holder, Cradle, & Flat Bottom		1-00-777907	
22	Fire Brick 4-1/2 x 9 x 1-1/4"	Pkg of 7	1-00-900450125	Y
	Firebrick, Full Skid	414 Pcs	3-40-900450-414	
23	Hopper Heat Shield		2-00-773854B	
24	Feeder Cover		2-00-773826L	
25	Circuit Board w/Knobs & Shafts		1-00-05886	Y
	Control Board Label		3-90-07766	
	Circuit Board Plate, Studded w/label		1-10-08327	
	Knob, Control Board/D-Shaft	25 Sets	1-00-015605	Y
	Airwash O-Rings	Pkg of 10	1-00-939639	Y
	Arrow Burn Pot Scraper	Pkg of 10	2-00-773850-10	
	Diagnostic Display Module		3-20-05401	Y
	DDM Replacement Cable		1-00-05402	
	Disconnect, Female	Pkg of 25	1-00-00959	Y

IMPORTANT: THIS IS DATED INFORMATION. Parts must be ordered from a dealer or distributor. **Hearth and Home Technologies does not sell directly to consumers.** Provide model number and serial number when requesting service parts from your dealer or distributor.



Stocked
at Depot

ITEM	Description	COMMENTS	PART NUMBER	Stocked at Depot
	Door Hinge w/pin, Cast	Front Door	3-00-773813	
	Draft Meter Assembly		1-00-00637	Y
	Draft Meter Bolt and Tube		1-00-04004	
	Fuse, 5 Amp, Pkg of 5	Pre HF187587	3-20-23705-5	Y
		Post HF187587	1-00-05237	Y
	Gasket, 1/4" Rope Black W/PSA (Glass)	15 Ft	1-00-2312	Y
	Gasket, 3/8" Rope White LD (Ash or Load Door)	30 Ft	1-00-00888	Y
	Gasket, Burn Pot/ Tailpipe	Pkg of 5	1-00-07381	Y
	Gasket, Hopper Lid		1-00-00248	Y
	Gasket, Hopper Throat		3-44-677185	Y
	Gasket, Burn Pot		3-44-237639	Y
	Glass Clip	Pkg of 4	1-00-249140	Y
	Hopper Muffler and Fitting	1 set	1-00-18186618	Y
	Igniter		3-20-677200	Y
		Pkg of 10	1-00-677200	Y
	Label, Caution & Danger	10 ea	1-00-200408541	
	Label, Caution		3-90-00247	
	Latch, Swell/Hopper	Pre 008168147	1-00-199110	Y
	Spacers	Pkg of 10	3-31-901311-10	
	Manual Pack		1-00-436168	
	Outside Air Termination Cap		1-10-09542	
	Power Cord		3-20-39685	Y
	Room Sensor		3-20-00906	Y
	Thermister Probe (ESP Probe)		3-20-00844	Y
	Thermostat Extension		3-20-00607	Y
	Touch up Paint, Black	Pre 008164569	3-42-1990	
		Post 008164569	3-42-19905	
	Wiring Harness		3-20-08727	Y
	LeafDoor Trim	Gold	3-43-06802-4	
		Brushed Stainless	3-43-06802-7	
		Bright Nickel	3-43-06802-8	
	Modern Door trim	Brushed Stainless	3-43-06839-7	
	Ash Lip Trim	Gold	3-43-08400	
		Brushed Stainless	3-43-08400-7	
		Bright Nickel	3-43-08400-8	
	Tile Frame	Gold	3-43-06729-4	
		Brushed Stainless	3-43-06729-7	
		Bright Nickel	3-43-06729-8	
	Spring Clips (Required for installation of Tile Frame)	Pkg of 20	3-31-232547-20	