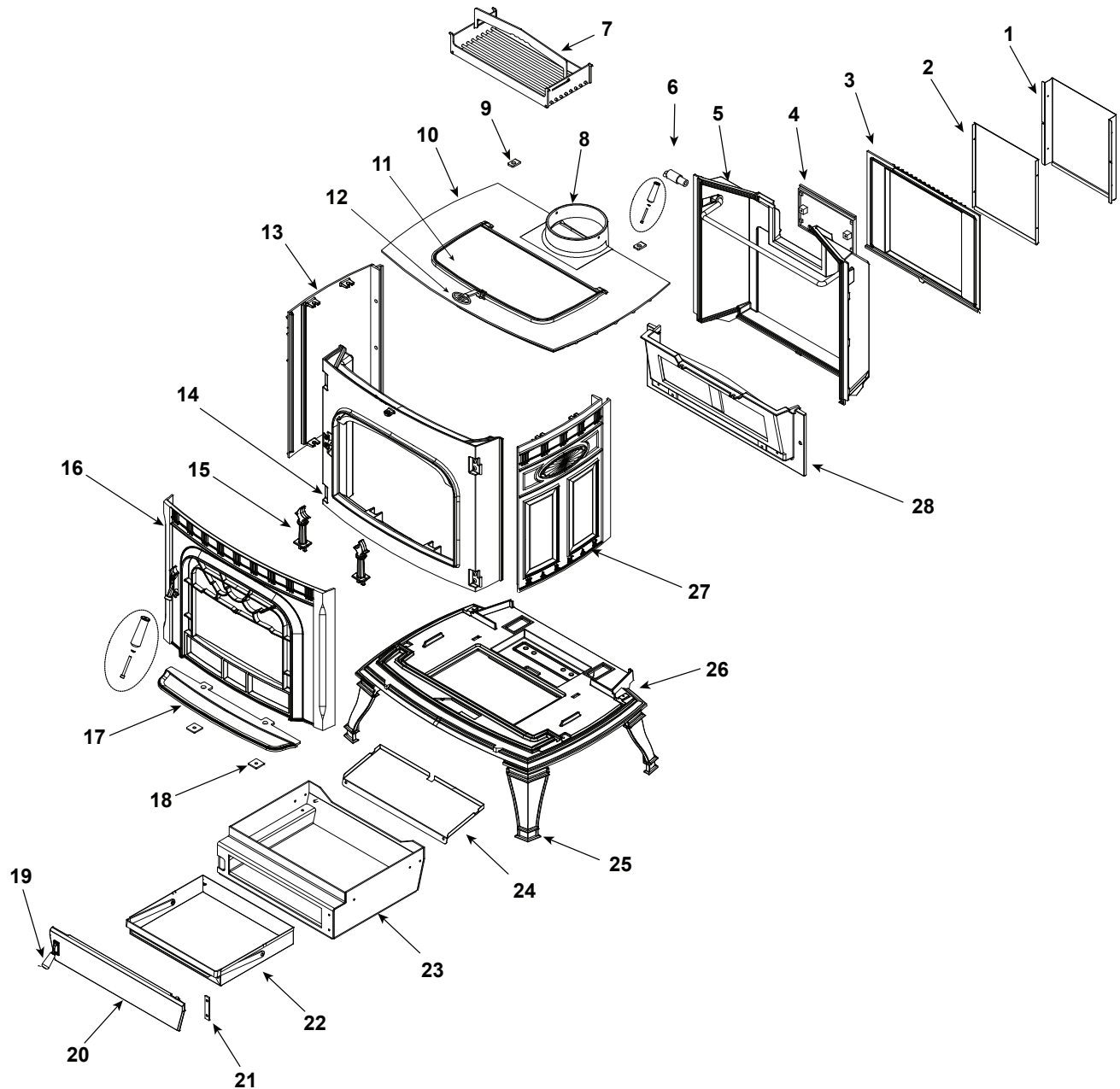


Retired units

1-90-02490-1 (Black) (Ending Manufacturing Date: April 2018)
 1-90-02490-2 (Charcoal) (Ending Manufacturing Date: June 2011)
 1-90-02490-3 (Goldenfire) (Ending Manufacturing Date: June 2011)
 1-90-02490-4 (Metallic Blue) (Ending Manufacturing Date: Jan 2010)
 1-90-02490-5 (Honey Glo) (Ending Manufacturing Date: June 2009)

1-90-02490-5 (Mojave Red) (Ending Manufacturing Date: June 2010)
 1-90-02490-12 (Forest Green) (Ending Manufacturing Date: Jan 2010)
 1-90-02490-13 (Enamel blue) (Ending Manufacturing Date: Jan 2010)
 1-90-02490-14 (Majolic Brown) (Ending Manufacturing Date: Jan 2010)
 1-90-02490-15 (Enamel Sand) (Ending Manufacturing Date: June 2009)

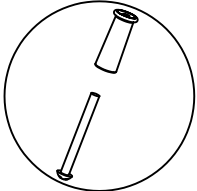
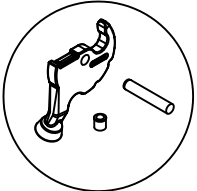

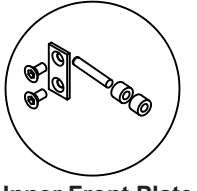


Part number list on following page.

IMPORTANT: THIS IS DATED INFORMATION. Parts must be ordered from a dealer or distributor. **Hearth and Home Technologies does not sell directly to consumers.** Provide model number and serial number when requesting service parts from your dealer or distributor.



Stocked
at Depot

ITEM	DESCRIPTION	COMMENTS	PART NUMBER	
1	UL Label Outer Shield		2-00-249162S	
2	UL Label Inner Shield		2-00-249161S	
3	Rear Housing Cover Assembly w/Gasket		1-10-249116A	
	Gasket	10 Ft	1-00-11862	Y
4	Flue Collar Cover with Gasket		1-10-249109	
5	Rear Housing		4-00-249110S	
	Gasket, 3/8" RD LPSA	10 Ft	1-00-00999	Y
6	Damper Elbow Painted		3-50-00500S	Y
7	Cook Grill Assembly	Optional	1-00-08121	
8	Flue Collar		4-00-249108D	
9	Top Hinge Plate	Qty 2 req	2-00-249147S	
10	Top		4-00-249105P	
	Gasket	15 Ft	1-00-1203589	Y
11	Top Load Door		3-00-249115P	
	Gasket	5 Ft	1-00-37525	Y
12	Top Load Handle	U.S.	2-00-249148	
		Japan	2-00-249222A	
	Top Handle Retainer		2-00-249190	
13	Left Side Panel		4-00-249103D	
14	Inner Front		4-00-249111S	
15	Andiron	Qty 2 req	3-00-249101P	Y
16	Front Load Door Assembly (Painted)		4-00-249112P	Y
	Front Load Door (No Glass)		1-00-249112	
	Door Glass w/Gasket		1-00-21130	Y
	Gasket - Glass	15 Ft	1-00-2312	Y
	Gasket - Door	15 Ft	1-00-1203589	Y
	Glass Clips & Hardware	Set of 4	1-00-249140	Y
	Hinge Plate		3-00-249136	
<div style="display: flex; justify-content: space-around; align-items: center;"> <div style="text-align: center;">  <p>Handle Assembly</p> </div> <div style="text-align: center;">  <p>Handle & Plunger Kit</p> </div> <div style="text-align: center;">  <p>Retainer Plate W/ Hardware</p> </div> <div style="text-align: center;">  <p>Inner Front Plate Latch Kit</p> </div> </div>				
	Handle Assembly	2 Sets	1-00-00249	Y
	Handle and Plunger Kit		1-00-73765	Y
	Retainer Plate W/Hardware		1-00-249138	Y
	Inner Front Latch Kit		1-00-249143	Y

Additional service part numbers appear on following page.

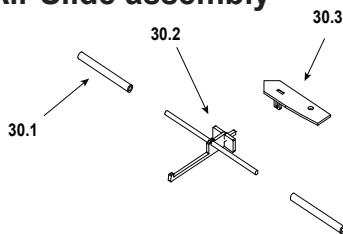
IMPORTANT: THIS IS DATED INFORMATION. Parts must be ordered from a dealer or distributor. **Hearth and Home Technologies does not sell directly to consumers.** Provide model number and serial number when requesting service parts from your dealer or distributor.



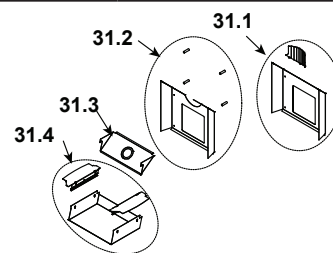
Stocked
at Depot

ITEM	DESCRIPTION	COMMENTS	PART NUMBER	
17	Ash Lip		3-00-249121P	
18	Ash Fender Bolt Plate	Qty 2 req	2-00-249169L	
19	Wood Knob	Pre 008428510	3-40-08746-3	
		Post 008428510	1600663	Y
20	Ash Door		4-00-249113D	
	Ash Door Latch Hardware		1-00-24923	Y
	Ash Door Latch	Pre 008428510	SRV3-00-249149	
	Ash Door Latch w/Knob	Post 008428510	1-00-249149	Y
	Ash Door Gasket	5 Ft	1-00-43375	Y
	Ash Door Hinge		2-00-249150	
21	Hinge Stiffener		2-00-249188L	
22	Ash Pan		1-10-249151	Y
23	Steel Ash Box Weldment		1-10-249144S	
24	Ca Shield		2-00-249157B	
25	Leg	Qty 4 req	4-00-249100P	Y
26	Bottom		4-00-249104D	
27	Right Side Panel		4-00-249102D	
28	Damper Frame Assembly w/Gasket		1-10-249106	Y
	Gasket	15 Ft	1-00-1203589	Y
	Damper w/Adjuster		1-10-249107	
	Damper Linkage		1-10-249146	Y
	Damper Shaft Retainers and Hardware	1 Set	1-00-249145	Y
	Adjuster w/Hardware	Pre 00726440	1-00-249142	Y
		Post 008426440	1-00-250153	

#30 Air Slide assembly



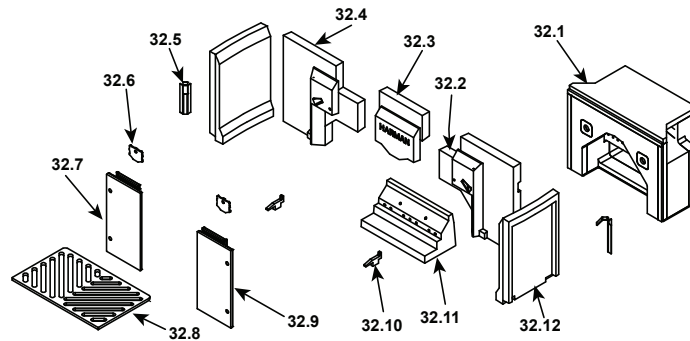
#31 Flue Shield Assembly



	Air Slide Assembly			
30.1	Air Adjuster Pipe	Qty 2 req	2-00-249158S	
30.2	Air Adjuster Weldment		1-10-249130S	
30.3	AirSlide Weldment		1-10-249131W	
31.1	Back Heat Shield Kit -Top Vent		1-00-02492	
31.2	Back Heat Shield Kit - Rear Vent		1-00-02493	
31.3	Outside Air Option		1-00-02494	
31.4	Bottom Heat Shield Kit		1-00-02491	

Additional service part numbers appear on following page.

#32 Firebox Assembly



IMPORTANT: THIS IS DATED INFORMATION. Parts must be ordered from a dealer or distributor. **Hearth and Home Technologies does not sell directly to consumers.** Provide model number and serial number when requesting service parts from your dealer or distributor.



Stocked at Depot

ITEM	DESCRIPTION	COMMENTS	PART NUMBER	
32.1	Package with Cap and Gaskets		1-00-06999	Y
	Gasket, Brick Air	Pkg of 4	3-44-2500202-4	Y
	Gasket Set, Complete		3-44-06999	Y
	Package Cap		2-00-06996B	Y
32.2	Inlet Brick Right		3-40-00104	Y
32.3	Logo Brick		3-40-00101	Y
32.4	Inlet Brick Left		3-40-00103	Y
32.5	Upper Brick Clip	Pkg of 2	1-00-249172	Y
32.6	Rear Brick Clip	Pkg of 2	1-00-249153	Y
32.7	Cast Left Inside Plate w/Gasket		1-10-249117A	Y
32.8	Grate		2-00-249122	Y
32.9	Cast Right Inside Plate w/Gasket		1-10-249118A	Y
32.10	Rear Brick Retainer	Pkg of 2	1-00-249135	
32.11	Shoe Brick		3-40-00100	Y
	Gasket, shoe Brick	10 Ft	1-00-11862	Y
32.12	Side Brick	Qty 2 req	3-40-00102	Y
	Brick Insulation	Qty 2 req	3-40-00250	
	Touch Up Paint	Pre 008427121	3-42-1990	
		Post 008427121	3-42-19905	
	Magnetic Thermometer		3-40-84376	
	Bottom Heat Shield		1-00-02491	Y
Hardware Packages				
	Bolt, 5/16-18 x 2" Zinc Plated Carriage	Pkg of 25	3-30-4001-25	Y
	Bushing 3/8 OD X 1/4" OAL	Pkg of 5	3-50-00058-5	Y
	Nut, 1/4"-20 Zinc Plated Finished Hex	Pkg of 100	3-30-8004-100	Y
	Screw, 5/16"-18 x 3/8" Alloy Steel Black Oxide Knurled Point SSS	Pkg of 25	3-30-2004-25	Y
	Screw, 1/4"-20 x 1" Alloy Steel Black Oxide Socket Head Cap	Pkg of 50	3-30-3004-50	Y
	Screw, 1/4"-20 x 3/8" Alloy Steel Black Oxide Button Head Cap	Pkg of 100	3-30-3014-100	Y
	Washer, 1/4" Zinc Plated USS Flat	Pkg of 100	3-30-0202-100	Y
	Washer, 5/16" Zinc Plated SAE Flat	Pkg of 50	3-30-0205-50	Y
	Washer-D 5/16	Pkg of 4	3-30-0400311-4	