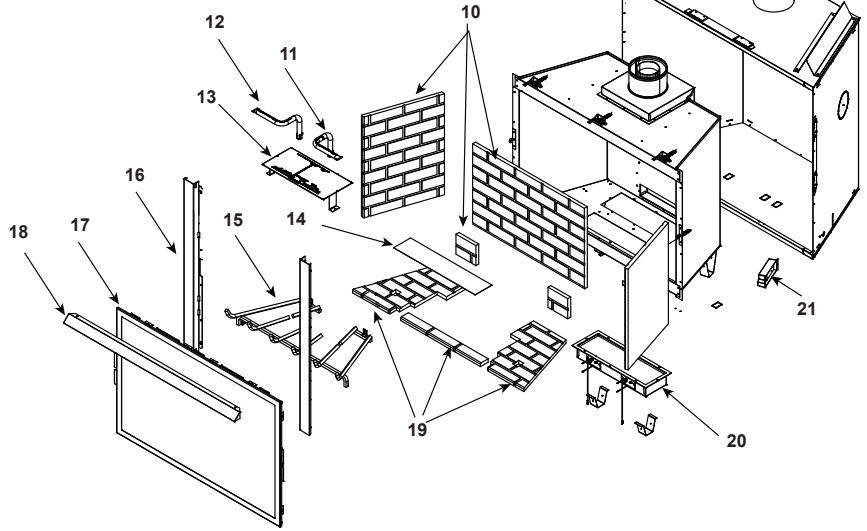


**Log Set Assembly**



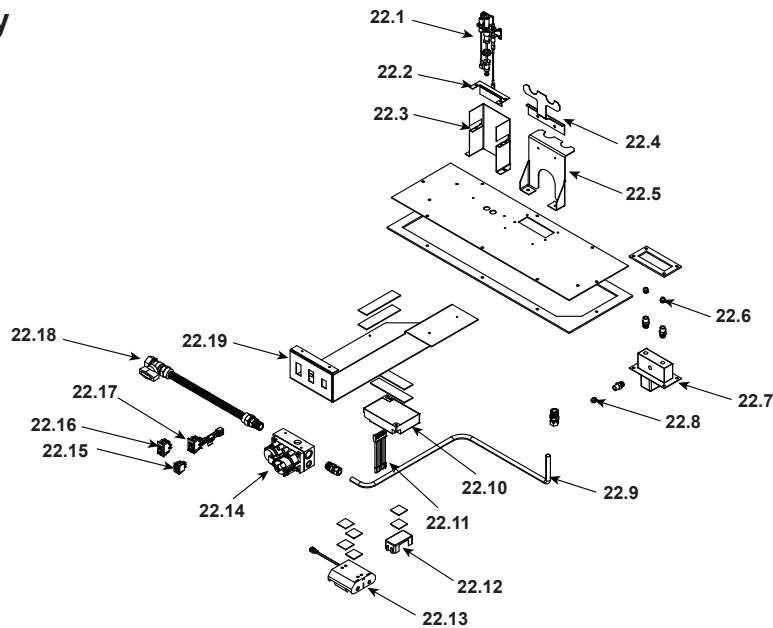
IMPORTANT: THIS IS DATED INFORMATION. Parts must be ordered from a dealer or distributor. **Hearth and Home Technologies does not sell directly to consumers.** Provide model number and serial number when requesting service parts from your dealer or distributor.



**Stocked at Depot**

ITEM	DESCRIPTION	COMMENTS	PART NUMBER	Stocked at Depot
	Log Set Assembly		LOGS-OLY	Y
1	Log 1	<b>No longer available, Must order complete assembly</b>	SRV780-701	
2	Log 2		SRV780-702	
3	Log 3		SRV780-703	
4	Log 4		SRV780-704	
5	Log 5		SRV780-705	
6	Log 6		SRV780-706	
7	Log 7		SRV780-707	
8	Log 8		SRV780-708	
9	Log 9		SRV780-709	
10	Sides and Back Refractory	<b>No longer available</b>	SRV780-730A	
11	Right NG Burner Tube		780-301A	Y
	Right LP Burner Tube		780-303A	Y
12	Left NG Burner Tube		780-300A	Y
	Left LP Burner Tube		780-302A	Y
13	Burner NG		780-176A	Y
	Burner LP		780-175A	Y
14	Ember Mesh Screen	<b>No longer available</b>	780-382	
15	Grate Assembly	<b>No longer available</b>	780-360A	
16	Side Panel (Order as custom overlay, reference: 780-130)	<b>No longer available</b>	SRVOLY-FACE	
17	Glass Door Assembly	<b>No longer available</b>	GLA-780	
18	Hood	<b>No longer available</b>	SRV570-143	
19	Base Refractory Assembly	<b>No longer available</b>	SRV780-732A	
20	Electric Ember Box	<b>No longer available</b>	780-197A	
21	Junction Box		383-250A	Y

#22 IPI Valve Assembly



IMPORTANT: THIS IS DATED INFORMATION. Parts must be ordered from a dealer or distributor. **Hearth and Home Technologies does not sell directly to consumers.** Provide model number and serial number when requesting service parts from your dealer or distributor.



Stocked at Depot

ITEM	DESCRIPTION	COMMENTS	PART NUMBER	
22.1	Pilot Assembly NG		SRV4021-730	Y
	Pilot Assembly LP		SRV4021-731	Y
22.2	Pilot Assembly Support	No longer available	397-121	
22.3	Pilot Bracket	No longer available	780-164	
22.4	Burner Tube Bracket	No longer available	780-147	
22.5	Burner Tube Bracket	No longer available	780-149	
22.6	Orifice Assembly NG (#46C)	Qty. 2 reg.	582-846	Y
	Orifice Assembly LP (#62C)	No longer available	582-862	
22.7	Manifold Assembly	No longer available	SRV386-205	
22.8	Orifice NG (#35C)		SRV582-835	Y
	Orifice LP (#51C)		SRV582-851	Y
22.9	Flexible Gas Connector	No longer available	570-302A	
22.10	Module		SRV593-592	Y
22.11	Module Wire Assembly		SRV593-590	Y
22.12	9V Battery Holder	No longer available	386-511	
22.13	Battery Pack		SRV593-594	Y
22.14	Valve NG		SRV593-500	Y
	Valve LP		SRV593-501	Y
22.15	Switch Assembly, Solenoid	No longer available	386-520A	
22.16	On/Off Rocker Switch		060-521A	Y
22.17	On/Off, Switch		SRV32D0232	Y
22.18	Flex Ball Valve Assembly		SRV302-320	Y
22.19	Valve Bracket	No longer available	780-145	

Additional service parts on following pages.

