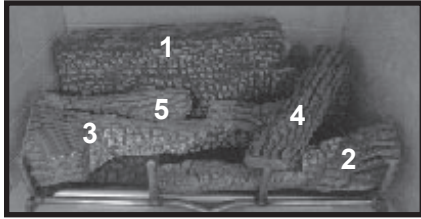
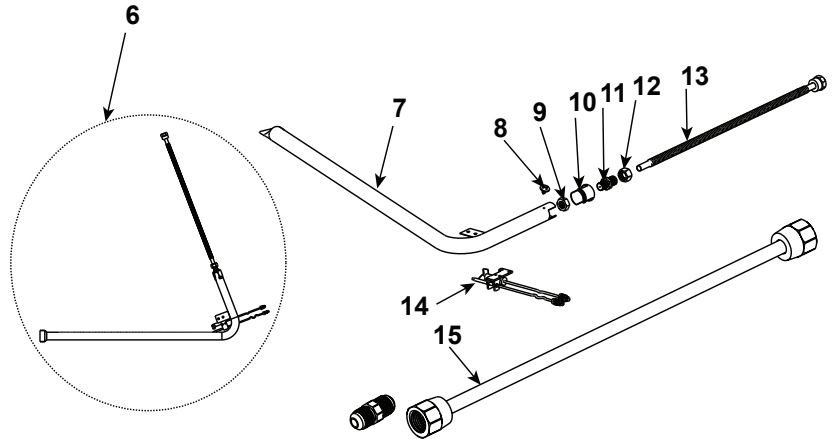


### Log Set Assembly



### Burner Tube Assembly



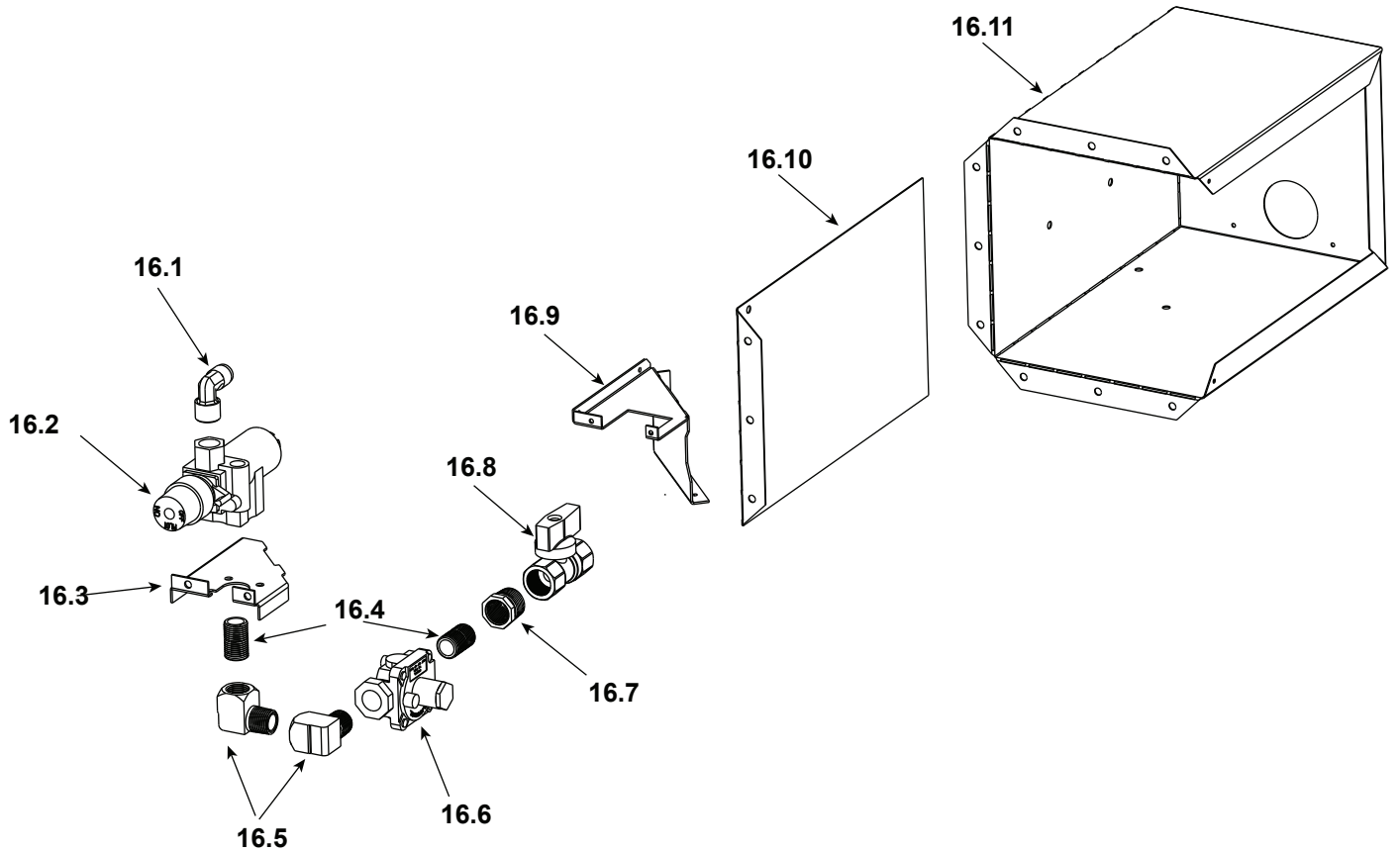
**IMPORTANT: THIS IS DATED INFORMATION.** Parts must be ordered from a dealer or distributor. **Hearth and Home Technologies does not sell directly to consumers.** Provide model number and serial number when requesting service parts from your dealer or distributor.



**Stocked at Depot**

ITEM	DESCRIPTION	COMMENTS	PART NUMBER	
	<b>Log Set - Box 1</b>	<b>No longer available</b>	4036-697	
1	Rear Log			
	<b>Log Set - Box 2</b>	<b>No longer available</b>	4036-698	
2	Right Front Log			
3	Left Front Log			
	<b>Log Set - Box 3</b>	<b>No longer available</b>	4036-699	
4	Right Center Log			
5	Left Center Log			
6	<b>Burner Tube Assembly w/Orifice - NG</b>	<b>No longer available</b>	4036-019	
	<b>Burner Tube Assembly w/Orifice - LP</b>	<b>No longer available</b>	4036-018	
7	Burner Tube w/Pilot Bracket	<b>No longer available</b>	4036-013	
8	Screw - #6 x 3/16 SMS PPH CAD/ZINC		15906A	
9	Jam Nut 1/2-20		SRV32563	
10	Air Shutter	<b>No longer available</b>	4036-315	
11	Orifice - NG	<b>No longer available</b>	SRV35321	
	Orifice - LP		SRV32562	Y
12	Compression Nut		SRV32553	
13	Flex Tube 18 in.	<b>No longer available</b>	4021-032	
14	Pilot Assembly - NG		4021-734	Y
	Pilot Assembly - LP		4021-735	Y
15	Aluminum Tube Assembly 18 in.	<b>No longer available</b>	4036-810	
	Fiber Ash Bed	<b>No longer available</b>	SRV4036-730	
	Lava Rock (2 lb.)		4021-296	
	Valve Access Door		4036-870	

#16 Valve Assembly



IMPORTANT: THIS IS DATED INFORMATION. Parts must be ordered from a dealer or distributor. **Hearth and Home Technologies does not sell directly to consumers.** Provide model number and serial number when requesting service parts from your dealer or distributor.



**Stocked  
at Depot**

ITEM	DESCRIPTION	COMMENTS	PART NUMBER	
16.1	Brass Connector - 90 degree - Flex		SRV4021-045	
16.2	Pilot Valve	No longer available	33992	
16.3	Valve Plate	No longer available	4036-125	
16.4	Pipe Nipple - 3/8 NPT	No longer available	SRV4021-041	
16.5	Brass Elbow - 90 degrees	No longer available	4021-027	
16.6	Regulator - LP	No longer available	34028	
16.7	Bushing - 3/8 F NPT / 1/2 M NPT		4021-030	
16.8	On/Off Valve	No longer available	4021-028	
16.9	Valve Bracket	No longer available	4036-124	
16.10	Valve Box Plate	No longer available	4036-122	
16.11	Valve Box Base	No longer available	4036-123	