

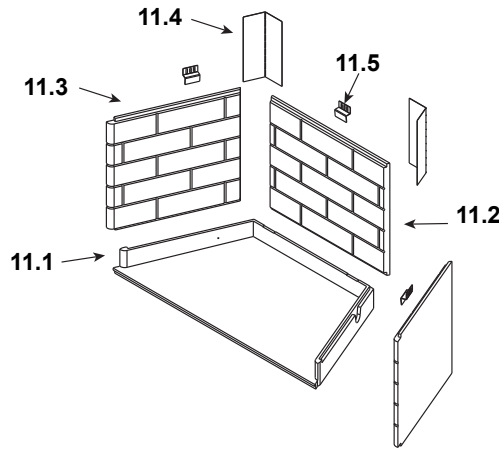
IMPORTANT: THIS IS DATED INFORMATION. Parts must be ordered from a dealer or distributor. **Hearth and Home Technologies does not sell directly to consumers.** Provide model number and serial number when requesting service parts from your dealer or distributor.



Stocked at Depot

ITEM	DESCRIPTION	COMMENTS	PART NUMBER	
1	Top Standoff	Qty 4 req	SRV4044-111	
2	Non-combustible Lip, 36"		SRV4072-254	
3	Non-combustible Front		SRV4072-174	
4	Hood		SRV4072-244	
5	Upper Face	Overlay	SRV4072-188	
6	Left & Right Column	Overlay	SRV4072-176	
7	Lower Face	Overlay	SRV4072-178	
8	Firescreen Rod	1 piece	SRV4072-133	
9	Firescreen Assembly		SRV4072-019	Y
10	Nailing Flange	Qty 4 req	SRV4044-161	
	Conversion Kit,LP		LPK-ODVILLAG	Y
	Installation Instructions and Owner's Manual		4072-204	

#11 Traditional Refractory



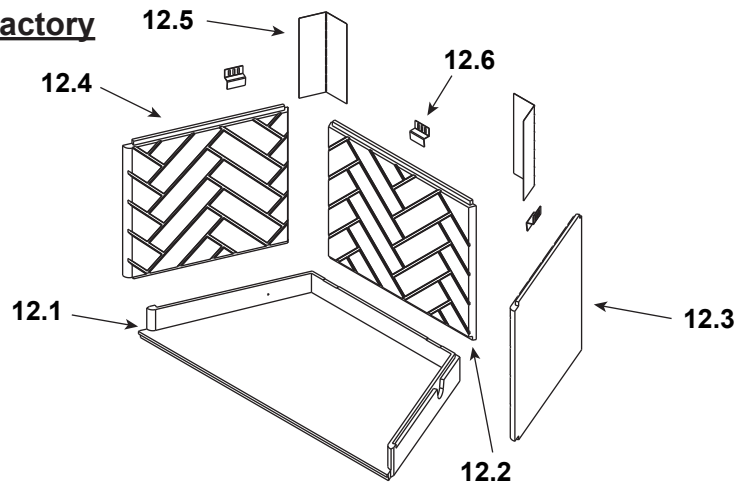
IMPORTANT: THIS IS DATED INFORMATION. Parts must be ordered from a dealer or distributor. **Hearth and Home Technologies does not sell directly to consumers.** Provide model number and serial number when requesting service parts from your dealer or distributor.



Stocked at Depot

ITEM	DESCRIPTION	COMMENTS	PART NUMBER	
Traditional Refractory				
11.1	Hearth Refractory, 36.38" F x 17.88" D x 21.18 B		SRV4072-158	
11.2	Back Refractory, 17.25" H x 20.93" W		SRV4072-102	
11.3	Side Refractory, 17.25" H x 18.21" W	Qty 2 req	SRV4072-103	
11.4	Corner Shield	Qty 2 req	SRV4072-145	
11.5	Retainer	Qty 3 req	SRV4072-250	

#12 Herringbone Refractory



Herringbone Refractory				
ITEM	DESCRIPTION	COMMENTS	PART NUMBER	
12.1	Hearth Refractory, 36.38" F x 17.88" D x 21.18 B		SRV4072-158	
12.2	Back Refractory, 17.25" H x 20.93" W		SRV4072-106	
12.3	Side Refractory, Right, 17.25" H x 18.21" W		SRV4072-108	
12.4	Side Refractory, Left, 17.25" H x 18.21" W		SRV4072-109	
12.5	Corner Shield	Qty 2 req	SRV4072-145	
12.6	Retainer	Qty 3 req	SRV4072-250	

