

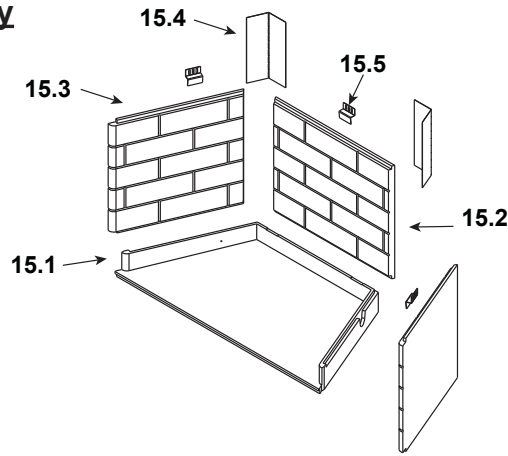
IMPORTANT: THIS IS DATED INFORMATION. Parts must be ordered from a dealer or distributor. **Hearth and Home Technologies does not sell directly to consumers.** Provide model number and serial number when requesting service parts from your dealer or distributor.



Stocked at Depot

ITEM	DESCRIPTION	COMMENTS	PART NUMBER	
1	Starter Section Assembly		SRV22069	Y
2	Top Standoff	Qty 4 req	SRV4044-111	
3	Upper Front Face		4072-143	
4	Non Combustible Front		4072-146	
5	Door Track (used for upper)		SRV4072-117	
6	Smoke Shield		4072-135	
7	Upper Trim	Pre Install	4072-121	
		Post Install	4072-121L	
8	Left Side Trim	Pre Install	4072-125	
		Post Install	4072-125L	
9	Right Side Trim	Pre Install	4072-124	
		Post Install	4072-124L	
10	Lower Trim	Pre Install	4072-120	
		Post Install	4072-120L	
11	Firescreen Rod	1 piece	4072-133	
12	Firescreen Assembly	Qty 2 req	SRV4072-019	Y
13	Grate, 21.50" F x 9.88" D x 14.88" B		GR41	Y
14	Nailing Flange	Qty 4 req	SRV4044-161	
	Door Pivot Clip	Qty 2 req	SRV31527	
	Strip Protector		SRV18320	
	Outside Air Hood	Qty 2 req	SRV33271	
	Extended Smoke Shield		SRV4072-155	
	Installation Instructions and Owner's Manual		4072-137	

**#15 Traditional Refractory**



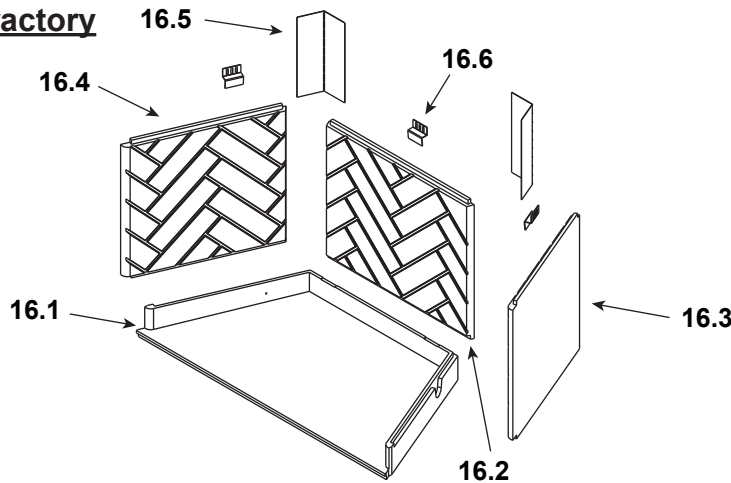
**IMPORTANT: THIS IS DATED INFORMATION.** Parts must be ordered from a dealer or distributor. **Hearth and Home Technologies does not sell directly to consumers.** Provide model number and serial number when requesting service parts from your dealer or distributor.



**Stocked at Depot**

ITEM	DESCRIPTION	COMMENTS	PART NUMBER
<b>Traditional Refractory</b>			
15.1	Hearth Refractory, 36.38" F x 17.88" D x 21.18 B		SRV4072-101
15.2	Back Refractory, 17.25" H x 20.93" W		SRV4072-102
15.3	Side Refractory, 17.25" H x 18.21" W	Qty 2 req	SRV4072-103
15.4	Corner Shield	Qty 2 req	4072-145
15.5	Retainer	Qty 3 req	SRV11847

**#16 Herringbone Refractory**



<b>Herringbone Refractory</b>			
16.1	Hearth Refractory, 36.38" F x 17.88" D x 21.18 B		SRV4072-101
16.2	Back Refractory, 17.25" H x 20.93" W		SRV4072-106
16.3	Side Refractory, Right, 17.25" H x 18.21" W		SRV4072-108
16.4	Side Refractory, Left, 17.25" H x 18.21" W		SRV4072-109
16.5	Corner Shield	Qty 2 req	4072-145
16.6	Retainer	Qty 3 req	SRV11847