

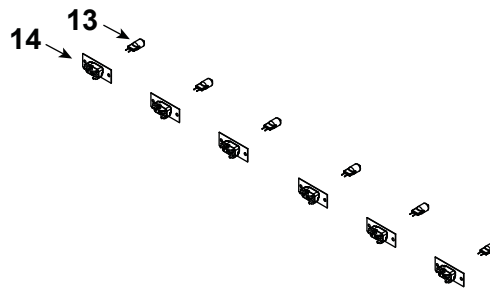
IMPORTANT: THIS IS DATED INFORMATION. Parts must be ordered from a dealer or distributor. **Hearth and Home Technologies does not sell directly to consumers.** Provide model number and serial number when requesting service parts from your dealer or distributor.



Stocked at Depot

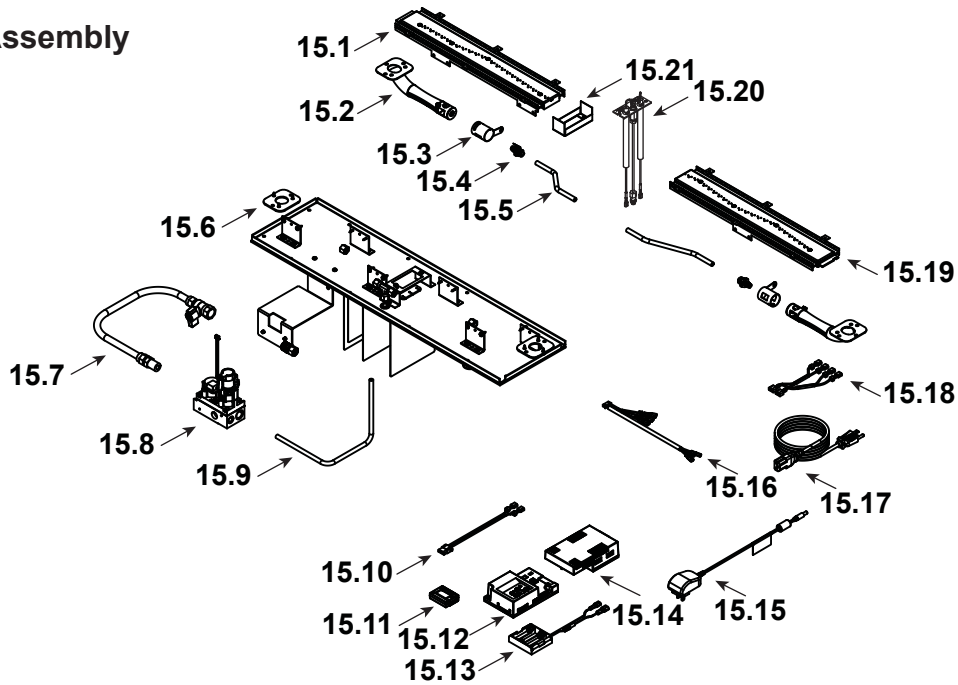
| ITEM | DESCRIPTION | COMMENTS | PART NUMBER | |
|------|--------------------------------|-----------|-------------|---|
| 1 | Hearth Plate Assembly | Qty 2 req | SRV4601-014 | |
| 2 | Glass Door Assembly | Qty 2 req | SRV4601-019 | Y |
| 3 | Screen Barrier Assembly | | SRV4601-017 | Y |
| 4 | Face Top Board | | SRV4601-301 | Y |
| 5 | Silicone Gasket (0.5" x 42.5") | Qty 2 req | SRV4601-137 | |
| 6 | Silicone Gasket (0.5" x 19.5") | Qty 2 req | SRV4601-138 | |
| 7 | Inner Frame Weld Assembly | | SRV4601-010 | |
| 8 | Outer Glass Assembly | | SRV4601-018 | Y |
| 9 | Cover, Glass | | SRV4601-159 | |
| 10 | Lip | | 78D2068 | |
| 11 | SS Barrier Screen Assembly | | SRV4601-015 | Y |
| 12 | Rain Shield Assembly | | SRV4601-026 | Y |

Halogen Bulb Assembly



| | | | | |
|----|-----------------------|------------|-------------|---|
| 13 | Halogen Bulb, 15 Watt | Qty 12 req | SRV4601-155 | Y |
| 14 | Bulb Socket | Qty 12 req | SRV73D4521 | |

#15 Valve Assembly



IMPORTANT: THIS IS DATED INFORMATION. Parts must be ordered from a dealer or distributor. **Hearth and Home Technologies does not sell directly to consumers.** Provide model number and serial number when requesting service parts from your dealer or distributor.



Stocked at Depot

| ITEM | DESCRIPTION | COMMENTS | PART NUMBER | Stocked at Depot |
|-------|----------------------------------|-----------|-------------|------------------|
| 15.1 | Burner Assembly Left | | 78D2038 | Y |
| 15.2 | Venturi | Qty 2 req | SRV69D1026 | Y |
| 15.3 | Air Shutter | Qty 2 req | SRV69D1027 | Y |
| 15.4 | Injector | Qty 2 req | SRV59D0062 | Y |
| 15.5 | Tube, Tee to Injector | Qty 2 req | 78D0090 | Y |
| 15.6 | Gasket, Venturi DV | Qty 2 req | SRV45D0032 | Y |
| 15.7 | Flexline, 18" with Shutoff Valve | | SRV69D0030 | Y |
| 15.8 | Gas Valve | | 2166-302 | Y |
| 15.9 | Tube, Tee to Valve | | 78D2045 | Y |
| 15.10 | Light Harness | | SRV4601-201 | Y |
| 15.11 | Module, RF FCC | | 2326-120 | Y |
| 15.12 | Module, IFT Control | | 2326-130 | Y |
| 15.13 | **Battery Pack | | SRV2326-134 | Y |
| 15.14 | AUX Module, B Type | | 2326-150 | Y |
| 15.15 | Transformer, 6 Volt Wall | | SRV2326-131 | Y |
| 15.16 | Wire Harness | | SRV2326-132 | Y |
| 15.17 | Cable, B Type AC Module | | SRV2326-152 | Y |
| 15.18 | Wire Harness, Light Join | | SRV78D1077 | Y |
| 15.19 | Burner Assembly Right | | 78D2035 | Y |
| 15.20 | Pilot Assembly | | SRV4602-300 | Y |
| 15.21 | Pilot Shield | | 78D2079 | |

**Fuse for battery pack can be sourced locally, not a warranty item. Specs are 250v, 3A fuse, 3/4" long

Additional service part numbers appear on following page.



Service Parts

ODMEZG-36

Beginning Manufacturing Date: Feb 2017
Ending Manufacturing Date: Active

IMPORTANT: THIS IS DATED INFORMATION. Parts must be ordered from a dealer or distributor. **Hearth and Home Technologies does not sell directly to consumers.** Provide model number and serial number when requesting service parts from your dealer or distributor.



Stocked at Depot

| ITEM | DESCRIPTION | COMMENTS | PART NUMBER | |
|------------------------|-----------------------|----------------------|-----------------|---|
| | Black Magic Glass Kit | | ODMEZG36-BGK | |
| | Fireplace Surround | | ODMEZG36-FB | |
| | Fireplace Trim Kit | | ODMEZG36-CFT | |
| | Remote, RC400 | | SRV2326-110 | |
| | | | | |
| | | | | |
| | | | | |
| | | | | |
| | | | | |
| | | | | |
| Media Options | | | | |
| | Media Kit, Amber | 3 Bags Max | MEDIA-AMBER-36 | |
| | Amber Rock | 5 lb. Bag | 2188-853 | |
| | Media Kit, Clear | 3 Bags Max | MEDIA-CLEAR-36 | |
| | Crystal Rock | 5 lb. Bag | 2188-851 | |
| | Media Kit, Cobalt | 3 Bags Max | MEDIA-COBALT-36 | |
| | Cobalt Rock | 5 lb. Bag | 2188-852 | |
| | Media Kit, Ebony | 3 Bags Max | MEDIA-EBONY-36 | |
| | Black Rock | 5 lb. Bag | 2188-850 | |
| | Media Kit, Red | 3 Bags Max | MEDIA-RED-36 | |
| | Red Rock | 5 lb. Bag | 2188-854 | |
| | Stones | May use up to 3 bags | STONES-NATURAL | |
| | | | | |
| | | | | |
| | | | | |
| | | | | |
| | | | | |
| | | | | |
| | | | | |
| | | | | |
| | | | | |
| | | | | |
| Conversion Kits | | | | |
| | Conversion Kit NG | | N/A | |
| | Conversion Kit LP | | LPK-ODMEZG-36 | Y |
| | Pilot Orifice, LP | | SRV4602-301 | Y |
| | Regulator, LP | | SRVLPK-DXV-50 | Y |