

Part number list on following page.



Service Parts

ODLANAIG-72

Beginning Manufacturing Date: April 2026
Ending Manufacturing Date: Active

IMPORTANT: THIS IS DATED INFORMATION. Parts must be ordered from a dealer or distributor. **Hearth and Home Technologies does not sell directly to consumers.** Provide model number and serial number when requesting service parts from your dealer or distributor.

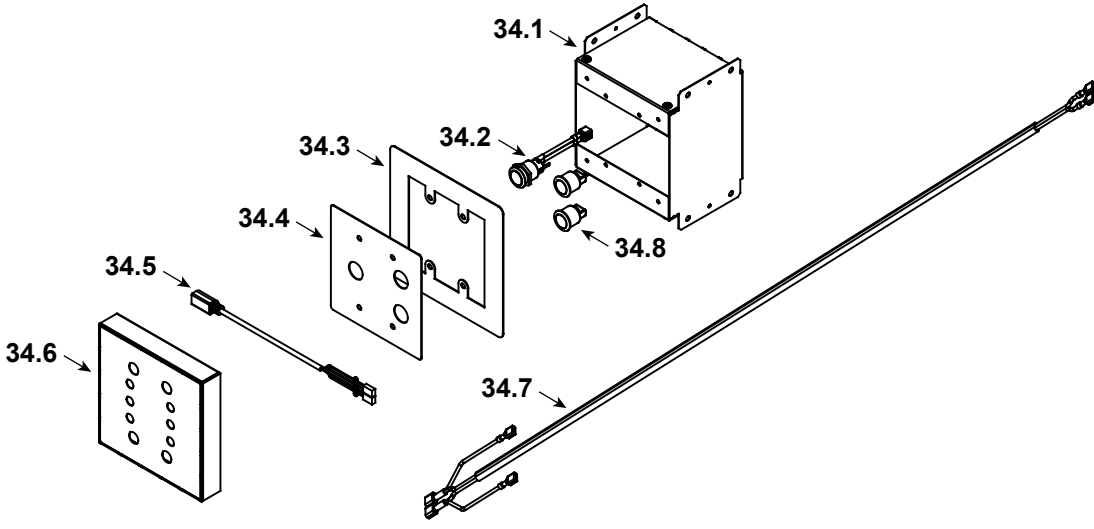
**Stocked
at Depot**

ITEM	DESCRIPTION	COMMENTS	PART NUMBER	
1	Top Standoff	Qty 4 req	SRV11864	
2	Non-combustible Board		SRV4122-325	
3	Hood		SRV4122-135	
4	Overlay Kit		SRV4122-025	
5	Deflection Glass		SRV4122-301	
6	Glass Bracket		SRV4122-153	
7	Screen Cover		SRV4122-109	
8	Burner Bottom Inner		SRV4122-111	
9	Burner Bottom Outer		SRV4122-110	
10	Burner Assembly		SRV4112-021	Y
11	LED Light Strip	Qty 2 req	SRV4122-321	Y
12	LED Mount		SRV4122-113	
13	Overlay Complete		SRV4122-173	
14	Flex Line w/Shutoff		SRV302-320	Y
15	Valve Assembly, NG		SRV593-500	Y
16	Venturi Gasket		SRV4099-191	Y
17	Venturi Assembly		SRV4099-036	Y
18	Orifice Flare #23 NG		SRV4018-357	Y
19	Flex Gas Line 16"		SRV4121-006	Y
20	Wire Assembly		SRV593-590	Y
21	IPI Control Module		SRV593-592	Y
22	Wire LED Adapter	Qty 2 req	SRV4018-114	Y
23	3V Transformer		SRV593-593	Y
24	LED Power Module		20308559K	Y
25	LED Control Module		SRV4121-160	Y
26	Pilot Bracket		SRV4111-150	
27	Pilot Assembly, NG		SRV4018-065	Y
28	Pilot Shield		SRV4111-151	
29	Jig, Media Placement		SRV4111-152	
30	Cover Plate		SRV4604-103	
31	Junction Box		SRV4021-013	Y
32	Junction Box Cover Assembly		SRV4111-032	
33	Lower Face		SRV4122-133	

Additional service part numbers appear on following page.

IMPORTANT: THIS IS DATED INFORMATION. Parts must be ordered from a dealer or distributor. **Hearth and Home Technologies does not sell directly to consumers.** Provide model number and serial number when requesting service parts from your dealer or distributor.

Stocked at Depot

ITEM	DESCRIPTION	COMMENTS	PART NUMBER	
				
34	Remote Accessory Kit		SRV4111-033	
34.1	Switch Box Assembly		SRV4082-376	
34.2	Power Switch		SRV4121-136	Y
34.3	Trim Ring		SRV4018-336	
34.4	Switch Cover Plate		SRV4090-292	
34.5	Input Cable		20308587K	Y
34.6	Rock Template		SRV4608-250	
34.7	Wire Wall Switch Assembly		SRV4121-137	Y
34.8	LED Panel Switch	Qty 2 req	20308586K	Y
Conversion Kits				
	Conversion Kit NG	For 60 & 72	NGK-ODLANAIG60	
	Air Shutter		SRV69D1027	Y
	Orifice Flare		SRV4018-357	Y
	Pilot Orifice, NG		SRV593-528	Y
	Regulator, NG		SRVNGK-DXF	Y
	Conversion Kit Propane	For 60 & 72	LPK-ODLANAIG60	
	Limit Switch		SRV4121-162	Y
	Orifice Flare		SRV4018-358	Y
	Pilot Orifice, Propane		SRV593-527	Y
	Regulator, Propane		SRVLPK-DXF	Y