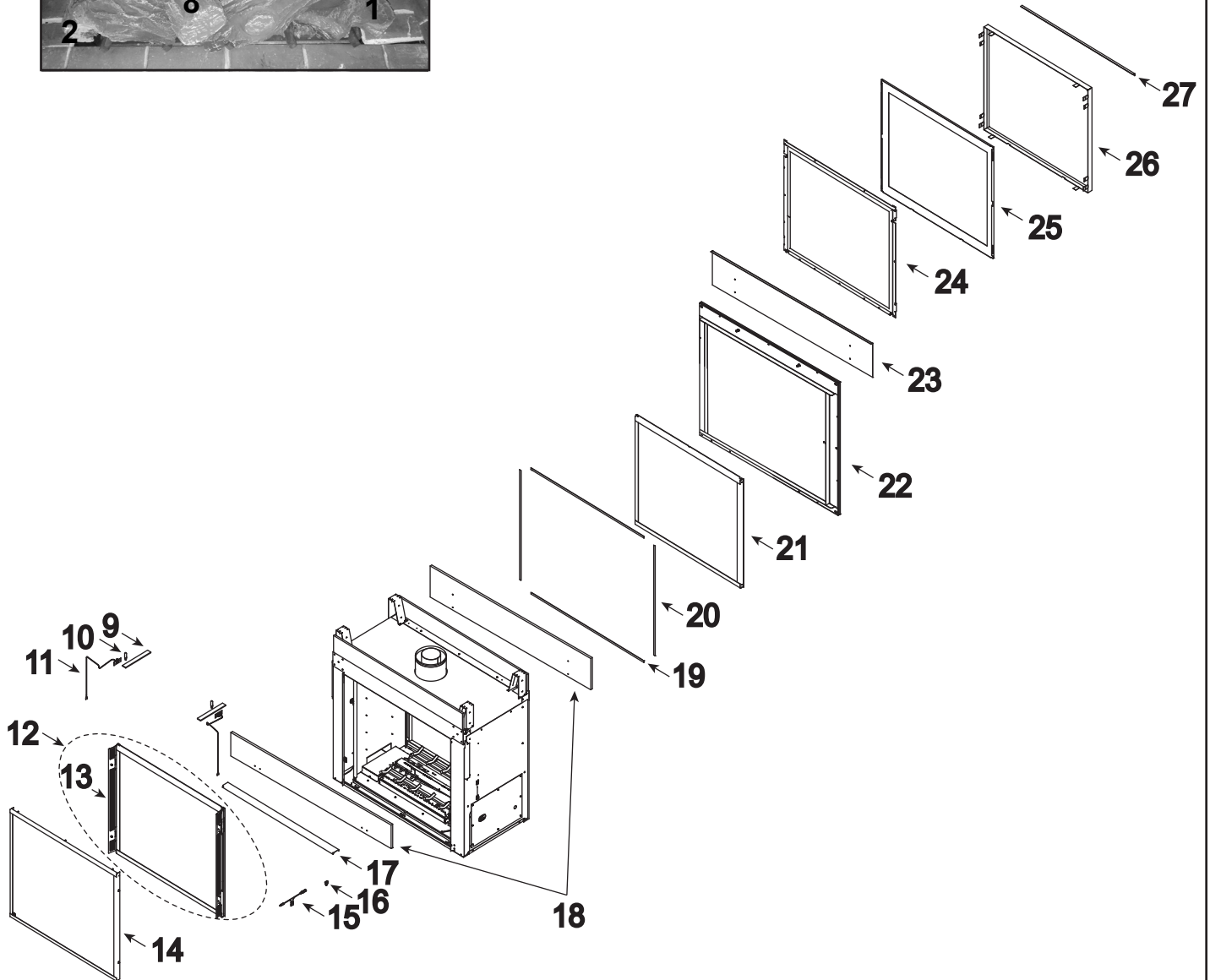
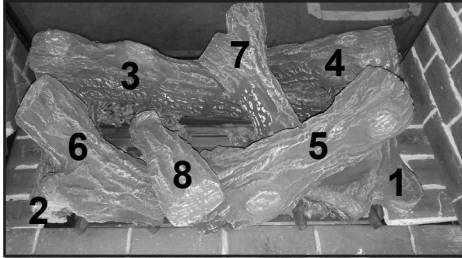
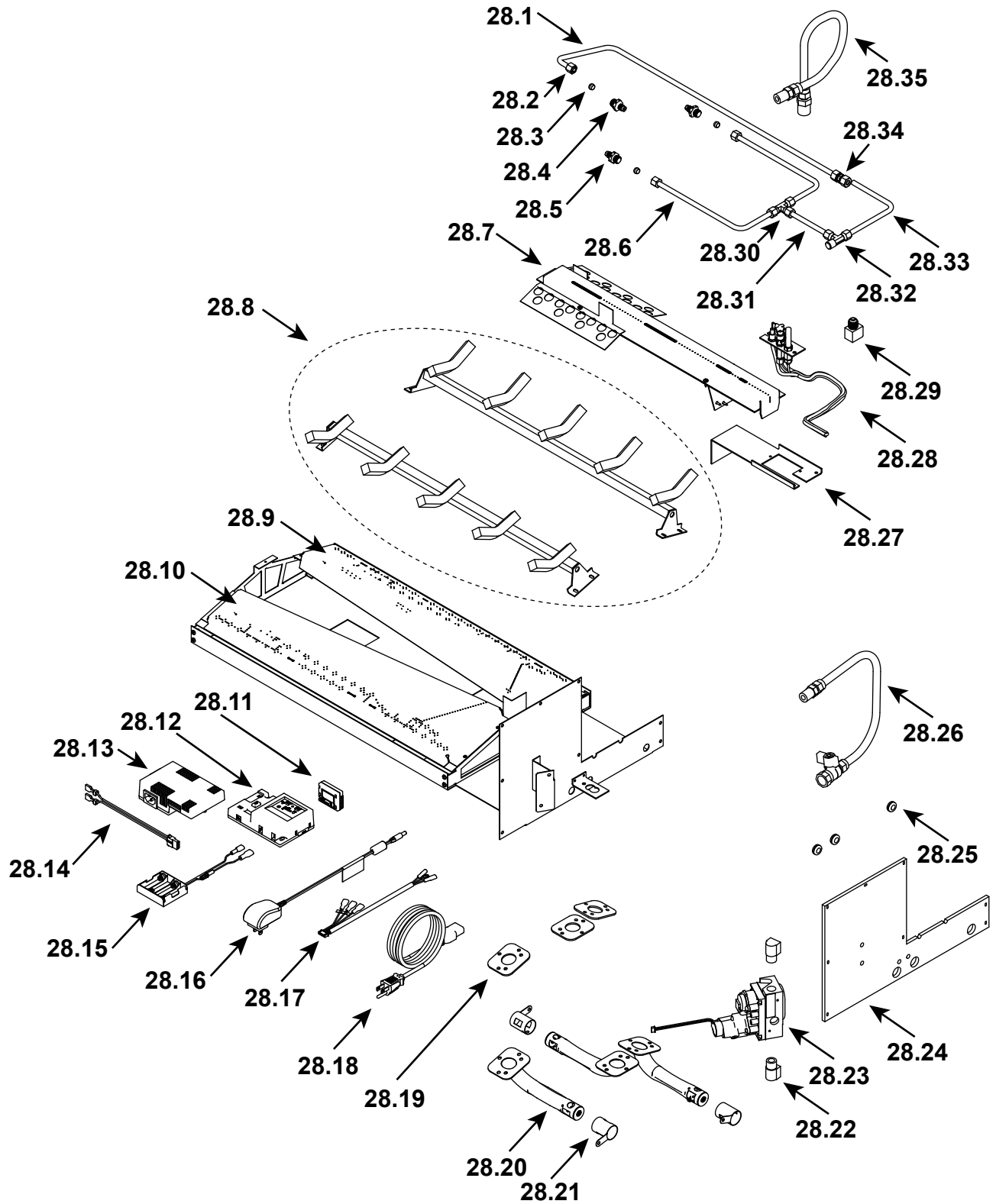


Log Assembly



#28 Valve Assembly



IMPORTANT: THIS IS DATED INFORMATION. Parts must be ordered from a dealer or distributor. **Hearth and Home Technologies does not sell directly to consumers.** Provide model number and serial number when requesting service parts from your dealer or distributor.



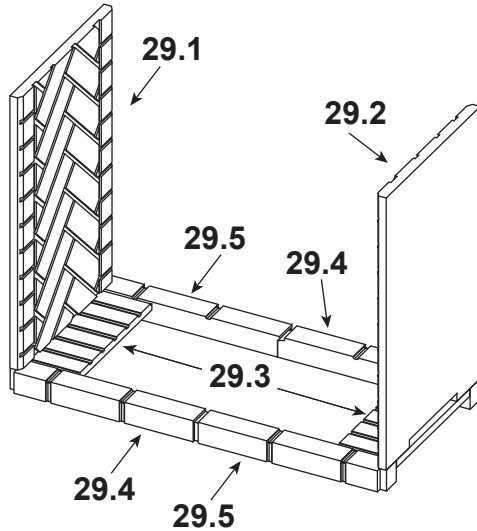
Stocked at Depot

ITEM	DESCRIPTION	COMMENTS	PART NUMBER	
28.1	Tube, Solenoid to Mid burner		73D4061K	Y
28.2	Nut, 1 1/2 UNF, 5/16	Qty 3 req	SRV00K0917	Y
28.3	Ferrule 5/16	Qty 3 req	00K918	Y
28.4	Injector NG Drill #31		SRV70D0064	Y
28.5	Injector NG Drill #46	Qty 2 req	SRV20H3150	Y
28.6	Tube, Tee to Front Burner	Qty 2 req	73D4062	Y
28.7	Center Burner Assembly		SRV4602-005	Y
28.8	Weldment, Grate	Qty 2 req	73D4516	
28.9	Weldment, Burner Front #2		73D4507	Y
28.10	Weldment, Burner Front #1		73D4508	Y
28.11	Module, RF FCC		2326-120	Y
28.12	Module, Control IFT		SRV2326-130	Y
28.13	AUX Module, B-Type		2326-150	Y
28.14	Lighting Harness		SRV4601-201	Y
28.15	** Battery Pack		SRV2326-134	Y
28.16	Transformer, 6 Volt Wall		SRV2326-131	Y
28.17	Harness, IFT 6 Pin Wiring		SRV2326-132	Y
28.18	Cable, B Type AC Module		SRV2326-152	Y
28.19	Gasket, Venturi DV	Qty 3 req	SRV45D0032	Y
28.20	Venturi w/Screw	Qty 3 req	SRV69D1026	Y
28.21	Air Shutter	Qty 3 req	SRV69D1027	Y
28.22	Elbow-Street 3/8" x 3/8" 90 Degree	Qty 2 req	69882	Y
28.23	Valve, IPI NG		2166-302	Y
	Valve, IPI Propane		2166-303	Y
28.24	Engine Gasket		SRV4602-204	Y
28.25	Grommet, Split	Qty 3 req	2146-420	
28.26	Flexline, 18" w/Shutoff Valve		SRV69D0030	Y
28.27	Pilot Sheild		SRV4602-153	
28.28	4 Way PSE Pilot, NG		SRV4602-300	Y
28.29	Brass Elbow, 3/8" Flare x 1/4" FPT		73D0127	Y
28.30	Brass Tee, 5/16" Compression		SRV43D0181	Y
28.31	Straight Tube, .313 Diameter x 4.562		SRV4602-104	Y
28.32	Brass Tee, 5/16" Compression x 1/4" MPT		73D0126	Y
28.33	Tube, Venturi to Flex Outlet 90		SRV4602-154	Y
28.34	Fitting Brass, Union 5/16" Compression		37D0713	Y
28.35	10-2131-18 SS Flex Hose		20H0022	Y

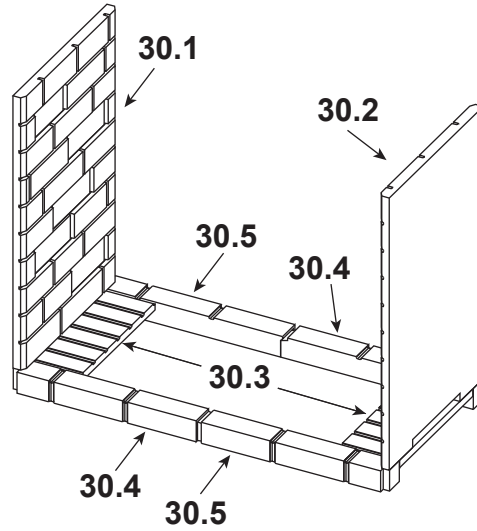
**Fuse for battery pack can be sourced locally, not a warranty item. Specs are 250v, 3A fuse, 3/4" long

Additional service part numbers appear on following page.

#29 Herringbone Brick



#30 Traditional Brick



IMPORTANT: THIS IS DATED INFORMATION. Parts must be ordered from a dealer or distributor. **Hearth and Home Technologies does not sell directly to consumers.** Provide model number and serial number when requesting service parts from your dealer or distributor.



Stocked at Depot

ITEM	DESCRIPTION	COMMENTS	PART NUMBER	
29	Brick, Herringbone		ODFORTG36-IH	
29.1	Brick, Wall Engine Side		73D4143K	
29.2	Brick, Wall Air Side		73D4144K	
29.3	Brick, Floor	Qty 2 req	73D4145K	
29.4	Brick, Front Left	Qty 2 req	73D4146K	
29.5	Brick, Front Right	Qty 2 req	73D4147K	
30	Brick, Traditional		ODFORTG36-IT	
30.1	Brick, Wall Engine Side		73D4149K	
30.2	Brick, Wall Air Side		73D4150K	
30.3	Brick, Floor	Qty 2 req	73D4151K	
30.4	Brick, Front Left	Qty 2 req	73D4152K	
30.5	Brick, Front Right	Qty 2 req	73D4153K	
	Remote, RC400		SRV2326-110	
Conversion Kits				
	Conversion Kit NG		N/A	
	Conversion Kit Propane		LPK-ODFORTG-36	Y
	Pilot Orifice, Propane		SRV4602-301	Y
	Injector MED VF Front		SRV58D0056	Y
	Injector EDVLIN Drill #5		57D0608	Y
	Regulator, Propane		SRVLPK-DXV-50	Y