

No one builds a better fire

Beginning Manufacturing Date: Jan 2025

Ending Manufacturing Date: Active

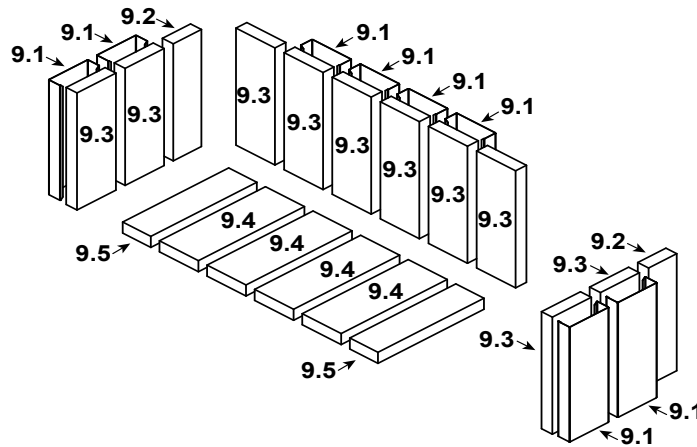
IMPORTANT: THIS IS DATED INFORMATION. Parts must be ordered from a dealer or distributor. **Hearth and Home Technologies does not sell directly to consumers.** Provide model number and serial number when requesting service parts from your dealer or distributor.



**Stocked  
at Depot**

| ITEM | DESCRIPTION            | COMMENTS  | PART NUMBER |   |
|------|------------------------|-----------|-------------|---|
| 1    | Starter Plate Assembly |           | SL1         |   |
|      | Starter Section        |           | SRV22069    | Y |
| 2    | Standoff, Front        | Qty 2 req | SRV4182-233 |   |
| 3    | Baffle Blanket         |           | SRV4184-205 |   |
| 4    | Baffle                 | Qty 2 req | SRV4184-113 |   |
| 5    | Manifold Tube Set      |           | TUBES-4184  | Y |
| 6    | Baffle Protector       |           | SRV4184-195 |   |
| 7    | Brick Retainer, Back   |           | SRV4184-123 |   |
| 8    | Brick Retainer, Side   | Qty 2 req | SRV4184-121 |   |

### #9 Brick Set



|      |                                    |            |                            |   |
|------|------------------------------------|------------|----------------------------|---|
| 9    | Brick Assembly                     |            | SRV4184-016                | Y |
| 9.1  | Brick Wrap                         | Qty 8 req  | SRV4182-101                |   |
| 9.2  | Firebrick, 13.25 x 3.25            | Qty 2 req  | SRV4182-203                |   |
| 9.3  | Firebrick, 13.25 x 4.5 x 1.25      | Qty 10 req | SRV4182-301                |   |
| 9.4  | Firebrick, 12.25 x 4.5             | Qty 4 req  | SRV4184-201                |   |
| 9.5  | Firebrick, 12.25 x 3.25            | Qty 2 req  | SRV4184-203                |   |
| 10   | Door Assembly                      |            | <b>See following pages</b> |   |
| 11   | Handle, Spring 1/4 Black           |            | SRV7000-614                | Y |
| 12   | Timer Assembly                     |            | <b>See following pages</b> |   |
| 13   | Front Assembly (Complete)          |            | SRV4187-070                |   |
| 13.1 | Front Access Lower Grille Assembly |            | SRV4187-076                |   |
| 13.2 | Upper Grille                       |            | SRV480-7040                |   |
| 14   | Blower Assembly                    | Qty 2 req  | SRV433-5890                | Y |
|      | Fan Speed Control                  |            | SRV7000-143                |   |
|      | Wire Harness                       |            | SRV480-0990                | Y |
|      | Snap Disc, F180F-30                |            | SRV4021-827                |   |

Additional service part numbers on following page.

No one builds a better fire

Beginning Manufacturing Date: Jan 2025

Ending Manufacturing Date: Active

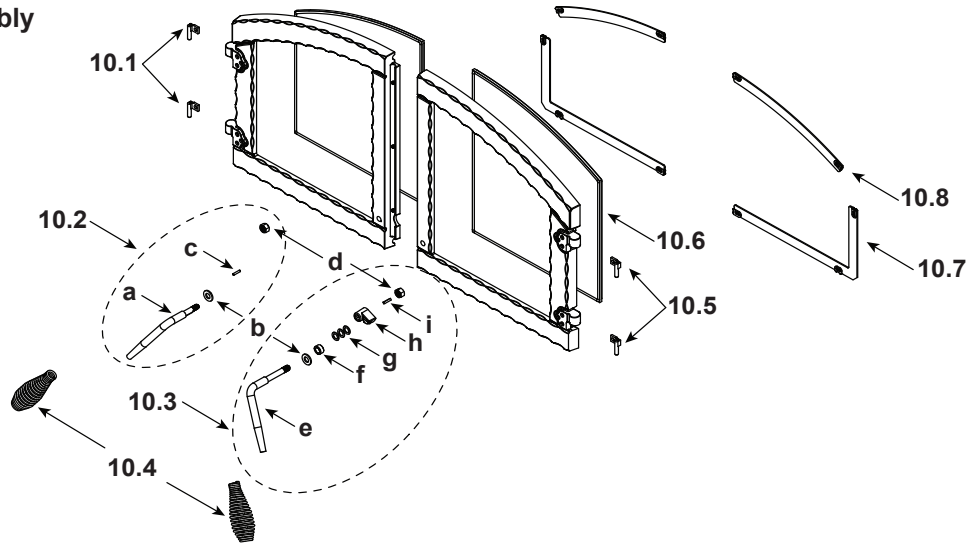
IMPORTANT: THIS IS DATED INFORMATION. Parts must be ordered from a dealer or distributor. **Hearth and Home Technologies does not sell directly to consumers.** Provide model number and serial number when requesting service parts from your dealer or distributor.



Stocked at Depot

| ITEM | DESCRIPTION          | COMMENTS | PART NUMBER |
|------|----------------------|----------|-------------|
| 15   | Outside Air Assembly |          | SRV4184-039 |
| 16   | Unit Collar          |          | SRV4087-314 |

### #10 Door Assembly



|      |  |           |                |   |
|------|--|-----------|----------------|---|
| 10   | Door Assembly                                      |           | SRV480-5460    |   |
| 10.1 | Door Hing Pin, Left (Pkg of 4)                     | Qty 2 req | 480-2120/4     | Y |
| 10.2 | Door Handle Assembly, Left                         |           | SRV4180-052    |   |
| 10.3 | Door Handle Assembly, Right                        |           | SRV4180-051    |   |
| a    | Door Handle, Left                                  |           | SRV480-0530    |   |
| b    | Washer, 3/8 SAE Black                              | Qty 2 req | 832-0990       | Y |
| c    | Pin, 1/8 x 5/8 Dowel                               |           | SRV7000-163    |   |
| d    | Nut, 3/8-16 Lock (Pkg of 24)                       | Qty 2 req | 226-0100/24    | Y |
| e    | Door Handle, Right                                 |           | SRV480-0520    |   |
| f    | Bushing, SLP15                                     |           | 20666A/5       | Y |
| g    | Washer, 3/8 MIL SS                                 | Qty 3 req | 7000-116/10    | Y |
| h    | Cam Latch  |           | SRV4188-200    |   |
| i    | Latch, Key Cam                                     |           | SRV430-1151    |   |
|      | Door Gasketing, 1/2 in. (Right 49.63"/Left 60.88") |           | SRV433DRGASKET | Y |
|      | Gasket, Lytherm, 1/2" x 1/8"                       | 7 Ft      | 834-2590       |   |
| 10.4 | Spring Handle, 1/2 Black                           | Qty 2 req | SRV7000-613    | Y |
| 10.5 | Door Hing Pin, Right (Pkg of 4)                    | Qty 2 req | 480-2110/4     | Y |
| 10.6 | Glass Assembly                                     | Qty 2 req | SRV480-5430    | Y |
|      | Gasket, 10 Ft Rope                                 |           | 834-4170       | Y |
| 10.7 | Glass Frame Bottom                                 | Pkg of 2  | SRV480-1450    |   |
| 10.8 | Glass Frame Top                                    | Qty 2 req | SRV480-1440    |   |

Additional service part numbers on following page.

No one builds a better fire

Beginning Manufacturing Date: Jan 2025

Ending Manufacturing Date: Active

IMPORTANT: THIS IS DATED INFORMATION. Parts must be ordered from a dealer or distributor. **Hearth and Home Technologies does not sell directly to consumers.** Provide model number and serial number when requesting service parts from your dealer or distributor.



Stocked at Depot

| ITEM                             | DESCRIPTION                                | COMMENTS  | PART NUMBER   |   |
|----------------------------------|--|-----------|---------------|---|
| <p><b>#12 Timer Assembly</b></p> |  |           |               |   |
| 12                               | Timer Assembly (Complete)                  |           | SRV4184-054   |   |
| 12.1                             | Slide Assembly                             |           | SRV4184-041   |   |
| 12.2                             | Air Channel Gasket                         |           | SRV4184-189   | Y |
| 12.3                             | Extension Spring                           |           | SRV433-3950   |   |
| 12.4                             | Timer Mechanical, 12 Hour                  |           | SRV480-1940   | Y |
|                                  | Combustion Cover Gasket                    |           | SRV4184-359   |   |
|                                  | Outside Air Hood Assembly                  |           | SRV4059-051   |   |
|                                  | Chimney Air Kit                            |           | CAK4A         |   |
|                                  | Fastener Pack, Chimney Air Kit             |           | 13580         |   |
|                                  | Face Board Assembly, Non-combustible board |           | SRV4184-064   |   |
|                                  | Hearth Strip                               |           | SRV18320      |   |
|                                  | Template                                   |           | TMP-MED-ARC   |   |
|                                  | Touch Up Paint                             | Black     | 812-0910      |   |
| <b>Fastener Packs</b>            |  |           |               |   |
|                                  | AVK Repair Kit 1/4-20                      |           | RIVNUT-REPAIR | Y |
|                                  | Nut, 1/4-20                                | Pkg of 4  | SRV221-0110   |   |
|                                  | Screw, HWH MS 1/4-20 x 3/4                 | Pkg of 25 | 220-0080/25   | Y |
|                                  | Screw, PH 8-32 x 1/2                       | Pkg of 25 | 220-0030/25   | Y |
|                                  | Washer, 1/4 SAE (for door)                 | Pkg of 24 | 28758/24      | Y |