

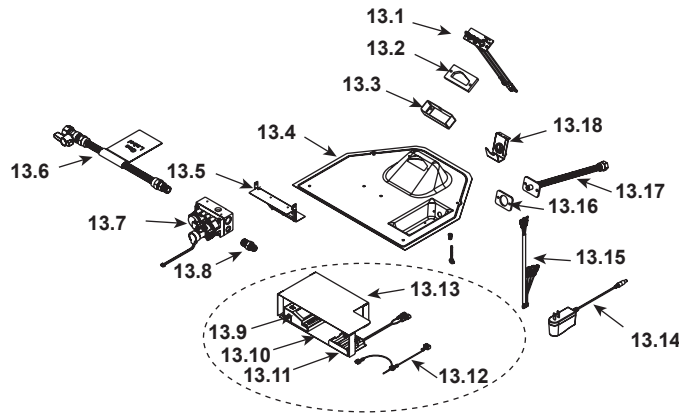
IMPORTANT: THIS IS DATED INFORMATION. Parts must be ordered from a dealer or distributor. **Hearth and Home Technologies does not sell directly to consumers.** Provide model number and serial number when requesting service parts from your dealer or distributor.



**Stocked  
at Depot**

| ITEM | DESCRIPTION                  | COMMENTS  | PART NUMBER               |   |
|------|------------------------------|-----------|---------------------------|---|
| 1    | Dry Wall Lip                 |           | 4065-104                  |   |
| 2    | Non Combustible Board, Front |           | 4065-106                  |   |
| 3    | Exhaust Baffle               |           | 2382-129                  |   |
| 4    | Glass Heat Shield            |           | 4065-139                  |   |
| 5    | Porcelain Liner              |           | 4065-113                  |   |
| 6    | Pilot Cover                  |           | 4065-109                  |   |
| 7    | Rock Shield                  |           | 4065-168                  |   |
| 8    | Pilot Shield                 |           | 4065-167                  |   |
| 9    | Hearth Pan                   |           | 2379-111                  |   |
| 10   | Glass Assembly               |           | GLA2382-018               | Y |
| 11   | Burner Assembly NG/LP        |           | 4065-046                  | Y |
| 12   | Gasket, Valve Plate          | Qty 2 req | 4055-135                  |   |
| 13   | Valve Assembly NG            |           | <b>See following page</b> |   |
| 14   | Glass Latch Assembly         | Qty 4 req | 2382-400                  | Y |
| 15   | Junction Box                 |           | SRV4021-013               | Y |
| 16   | Cover Plate                  |           | SRV4031-222               |   |
| 17   | Shield, Junction Box         |           | 4055-888                  |   |
| 18   | Nailing Flange               | Qty 4 req | SRV4044-161               |   |
| 19   | Back Gasket                  |           | SRV4000-225               |   |
| 20   | Intake Cover Plate           |           | 2166-450                  |   |
| 21   | Intake Cover Gasket          |           | 4031-239                  |   |
|      | Clear Media Rock             |           | 4065-111                  |   |
|      | Top Vent Flue Baffle         |           | SRV4045-203               | Y |

**#13 Valve Assembly**



IMPORTANT: THIS IS DATED INFORMATION. Parts must be ordered from a dealer or distributor. **Hearth and Home Technologies does not sell directly to consumers.** Provide model number and serial number when requesting service parts from your dealer or distributor.



**Stocked at Depot**

| ITEM  | DESCRIPTION               | COMMENTS | PART NUMBER    | Stocked at Depot |
|-------|---------------------------|----------|----------------|------------------|
| 13.1  | Pilot Assembly NG         |          | SRV2090-012    | Y                |
|       | Pilot Assembly Propane    |          | 2090-013       | Y                |
| 13.2  | Pilot Gasket              |          | 4021-042       |                  |
| 13.3  | Pilot Bracket             |          | 4065-214       |                  |
| 13.4  | Seal Plate                |          | 2382-584       |                  |
| 13.5  | Valve Bracket             |          | 4055-205       |                  |
| 13.6  | Flex Ball Valve Assembly  |          | SRV302-320     | Y                |
| 13.7  | Valve NG                  |          | 2166-302       | Y                |
|       | Valve Propane             |          | 2166-303       | Y                |
| 13.8  | Brass Connector           | Pkg of 5 | 303-315/5      | Y                |
|       | Ignition Control Assembly |          | SRV4065-016    | Y                |
| 13.9  | Module                    |          | 2166-347       | Y                |
| 13.10 | Control Module Plate      |          | 4055-899       | Y                |
| 13.11 | Battery Pack **           |          | SRV2166-323    | Y                |
| 13.12 | Jumper wire               |          | SRV2187-198    | Y                |
| 13.13 | Control Module Shield     |          | 4055-898       |                  |
| 13.14 | Transformer, 6v Wall      |          | SRV2326-131    | Y                |
| 13.15 | Wire Harness              |          | 2166-304       | Y                |
| 13.16 | Gasket, Bulkhead          |          | 4021-429       |                  |
| 13.17 | Bulkhead W/Flex Tube      |          | 4021-512       | Y                |
| 13.18 | Air Shutter Assembly      |          | SRV4055-202    | Y                |
|       | Orifice NG (#43C)         |          | 582-843        | Y                |
|       | Orifice Propane (#54C)    |          | SRV582-854     | Y                |
|       | Conversion Kit NG         |          | N/A            |                  |
|       | Conversion Kit Propane    |          | DCKVP-NEVO4236 | Y                |
|       | Pilot Orifice NG          |          | SRV593-528     | Y                |
|       | Pilot Orifice Propane     |          | SRV593-527     | Y                |
|       | Regulator NG              |          | NGK-DXV-50     | Y                |
|       | Regulator Propane         |          | SRVLPK-DXV-50  | Y                |

\*\*Fuse for battery pack can be sourced locally, not a warranty item. Specs are 250v, 1A fuse, 3/4" long