

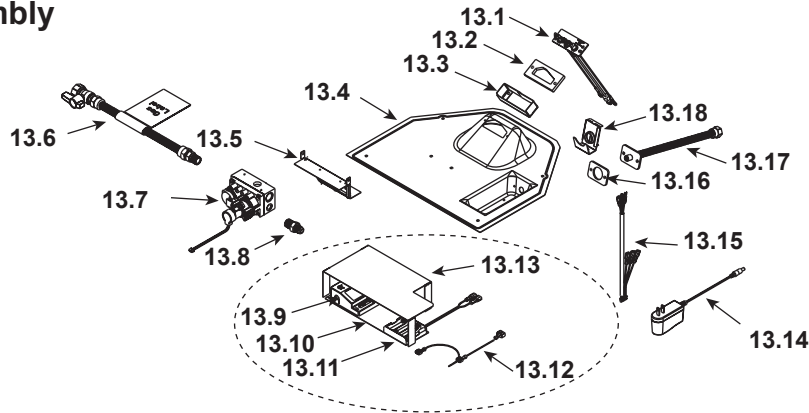
IMPORTANT: THIS IS DATED INFORMATION. Parts must be ordered from a dealer or distributor. **Hearth and Home Technologies does not sell directly to consumers.** Provide model number and serial number when requesting service parts from your dealer or distributor.



**Stocked  
at Depot**

ITEM	DESCRIPTION	COMMENTS	PART NUMBER	
1	Dry Wall Lip		4065-103	
2	Non Combustible Board, Front		4065-105	
3	Flue Baffle		4031-119	
4	Glass Heat Shield		4065-138	
5	Porcelain Liner		4065-112	
6	Pilot Cover		4065-108	
7	Rock Shield		4065-168	
8	Pilot Shield		4065-167	
9	Hearth Pan		4065-136	
10	Glass Frame Assembly		GLA4031-539	Y
11	Burner Assembly NG/LP		4065-045	Y
12	Gasket, Valve Plate		4055-135	
13	Valve Assembly NG		<b>See following page</b>	
14	Glass Latch Assembly	Pkg of 2	33858/2	Y
15	Junction Box		SRV4021-013	Y
16	Cover Plate		SRV4031-222	
17	Shield, Junction Box		4055-888	
18	Nailing Flange	Qty 4 req	SRV4044-161	
19	Back Gasket		SRV4000-225	
20	Intake Cover Plate	<b>No longer available</b>	25844	
		Post Aug 2013	2166-450	
21	Intake Cover Gasket		4031-239	
	Clear Media Rock		4065-111	
	Cinema Front	Black	<b>DF-MR30-BK</b>	
	Top Vent Flue Baffle		SRV4045-203	Y

**#13 Valve Assembly**



IMPORTANT: THIS IS DATED INFORMATION. Parts must be ordered from a dealer or distributor. **Hearth and Home Technologies does not sell directly to consumers.** Provide model number and serial number when requesting service parts from your dealer or distributor.



**Stocked at Depot**

ITEM	DESCRIPTION	COMMENTS	PART NUMBER	Stocked at Depot
13.1	Pilot Assembly NG		SRV2090-012	Y
	Pilot Assembly LP		2090-013	Y
13.2	Pilot Gasket		4021-042	
13.3	Pilot Bracket		4065-214	
13.4	Seal Plate		2382-584	
13.5	Valve Bracket		4055-205	
13.6	Flex Ball Valve Assembly		SRV302-320	Y
13.7	Valve NG		SRV2166-302	Y
	Valve LP		2166-303	Y
13.8	Brass Connector	Pkg of 5	303-315/5	Y
	Ignition Control Assembly		SRV4065-016	Y
13.9	Module		2166-347	Y
13.10	Control Module Plate		4055-899	Y
13.11	Battery Pack **		SRV2166-323	Y
13.12	Jumper wire		SRV2187-198	Y
13.13	Control Module Shield		4055-898	
13.14	Transformer, 6v Wall		SRV2326-131	Y
13.15	Wire Harness		2166-304	Y
13.16	Gasket, Bulkhead		4021-429	
13.17	Bulkhead W/Flex Tube		4021-512	Y
13.18	Air Shutter Assembly		SRV4055-202	Y
	Orifice NG (.083)		4021-435	Y
	Orifice LP (.053)		4021-426	Y
	Conversion Kit NG		N/A	
	Conversion Kit LP		DCKVP-NEVO3630	Y
	Pilot Orifice NG		SRV593-528	Y
	Pilot Orifice LP		SRV593-527	Y
	Regulator NG		NGK-DXV-50	Y
	Regulator LP		SRVLPK-DXV-50	Y

\*\*Fuse for battery pack can be sourced locally, not a warranty item. Specs are 250v, 1A fuse, 3/4" long