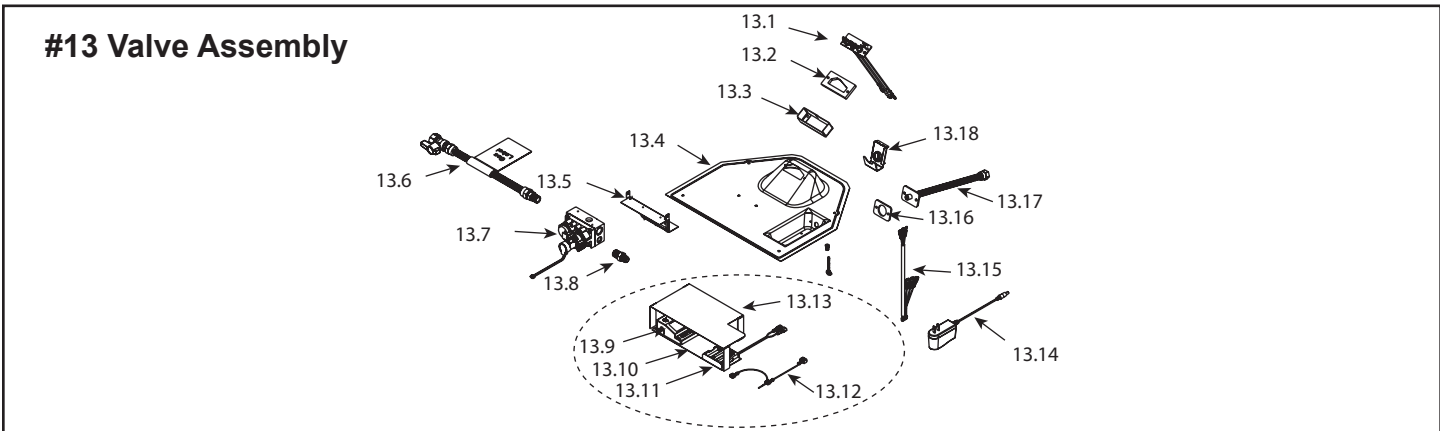


IMPORTANT: THIS IS DATED INFORMATION. Parts must be ordered from a dealer or distributor. **Hearth and Home Technologies does not sell directly to consumers.** Provide model number and serial number when requesting service parts from your dealer or distributor.



**Stocked
at Depot**

ITEM	DESCRIPTION	COMMENTS	PART NUMBER	
1	Dry Wall Lip		4065-103	
2	Non Combustible Board, Front		4065-105	
3	Exhaust Baffle		2382-129	
4	Glass Heat Shield		4065-138	
5	Porcelain Liner		4065-112	
6	Pilot Cover		4065-108	
7	Rock Shield		4065-168	
8	Pilot Shield		4065-167	
9	Hearth Pan		2378-111	
10	Glass Assembly		GLA2380-018	Y
11	Burner Assembly NG/LP		4065-045	Y
12	Gasket, Valve Plate	Qty 2 req	4055-135	
13	Valve Assembly NG		See following page	
14	Glass Latch Assembly	Qty 4 req	2382-400	Y
15	Junction Box		SRV4021-013	Y
16	Cover Plate		SRV4031-222	
17	Shield, Junction Box		4055-888	
18	Nailing Flange	Qty 4 req	SRV4044-161	
19	Back Gasket		SRV4000-225	
20	Intake Cover Plate		2166-450	
21	Intake Cover Gasket		4031-239	
	Clear Media Rock		4065-111	
	Top Vent Flue Baffle		SRV4045-203	Y



IMPORTANT: THIS IS DATED INFORMATION. Parts must be ordered from a dealer or distributor. **Hearth and Home Technologies does not sell directly to consumers.** Provide model number and serial number when requesting service parts from your dealer or distributor.



Stocked at Depot

ITEM	DESCRIPTION	COMMENTS	PART NUMBER	Stocked at Depot
13.1	Pilot Assembly NG		SRV2090-012	Y
	Pilot Assembly LP		2090-013	Y
13.2	Pilot Gasket		4021-042	
13.3	Pilot Bracket		4065-214	
13.4	Seal Plate		2382-584	
13.5	Valve Bracket		4055-205	
13.6	Flex Ball Valve Assembly		SRV302-320	Y
13.7	Valve NG		2166-302	Y
	Valve Propane		2166-303	Y
13.8	Brass Connector	Pkg of 5	303-315/5	Y
	Ignition Control Assembly		SRV4065-016	Y
13.9	Module		2166-347	Y
13.10	Control Module Plate		4055-899	Y
13.11	Battery Pack **		SRV2166-323	Y
13.12	Jumper wire		SRV2187-198	Y
13.13	Control Module Shield		4055-898	
13.14	Transformer, 6v Wall		SRV2326-131	Y
13.15	Wire Harness		2166-304	Y
13.16	Gasket, Bulkhead		4021-429	
13.17	Bulkhead W/Flex Tube		4021-512	Y
13.18	Air Shutter Assembly		SRV4055-202	Y
	Orifice NG (.083)		4021-435	Y
	Orifice Propane (.053)		4021-426	Y
	Conversion Kit NG		N/A	
	Conversion Kit Propane		DCKVP-NEVO3630	Y
	Pilot Orifice NG		SRV593-528	Y
	Pilot Orifice Propane		SRV593-527	Y
	Regulator NG		NGK-DXV-50	Y
	Regulator Propane		SRVLPK-DXV-50	Y

**Fuse for battery pack can be sourced locally, not a warranty item. Specs are 250v, 1A fuse, 3/4" long