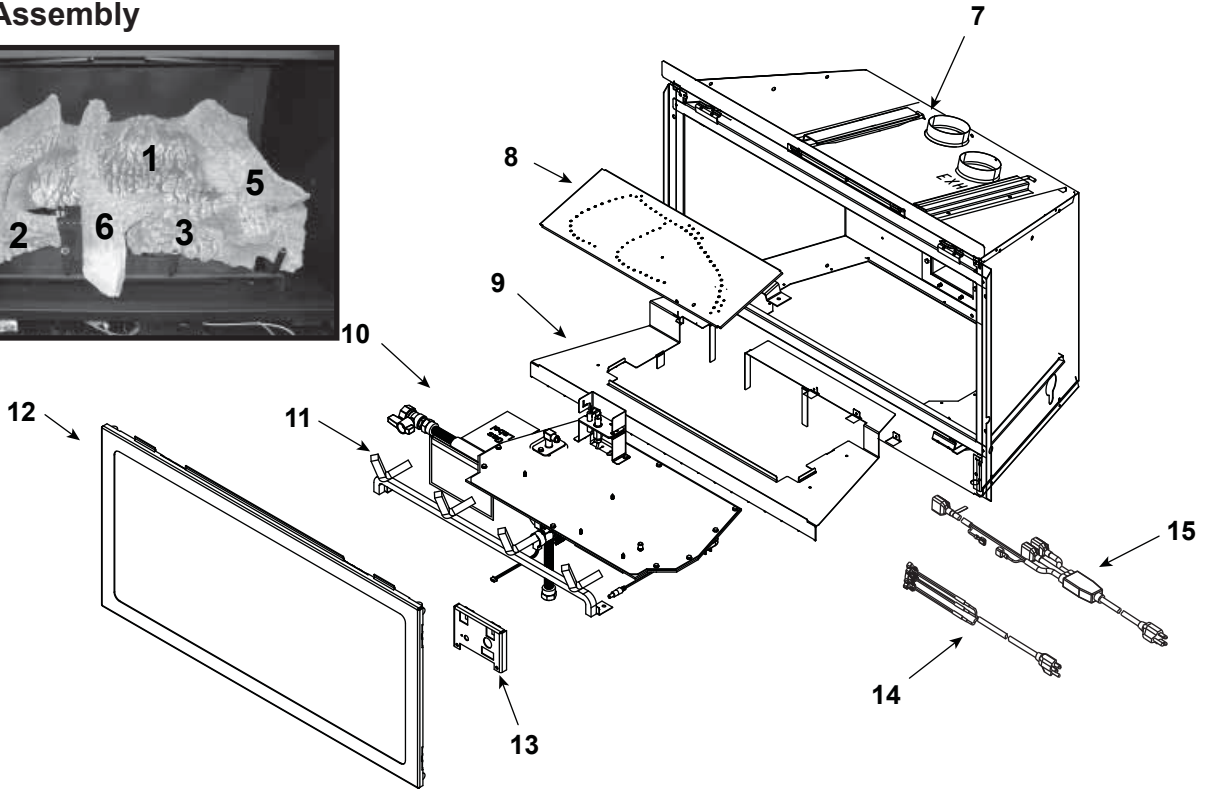
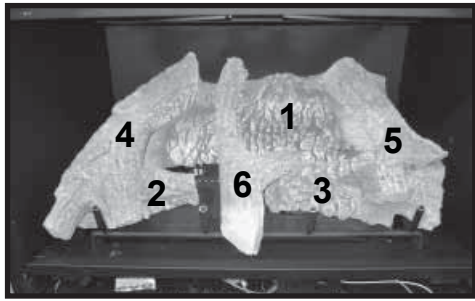


Log Set Assembly



IMPORTANT: THIS IS DATED INFORMATION. When requesting service or replacement parts for your appliance please provide model number and serial number. All parts listed in this manual may be ordered from an authorized dealer.

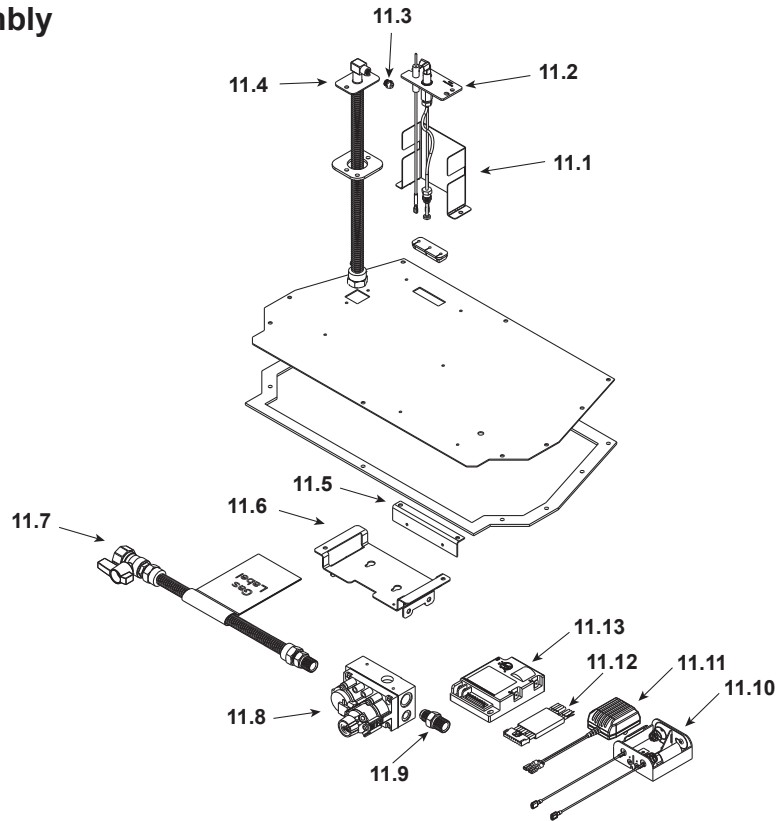


Stocked at Depot

ITEM	DESCRIPTION	COMMENTS	PART NUMBER	
	Log Assembly		LOGS-NDI35	Y
1	Log 1	No longer available, Must order complete assembly	SRV2224-701	
2	Log 2		SRV2224-706	
3	Log 3		SRV2224-702	
4	Log 4		SRV2224-703	
5	Log 5		SRV2224-704	
6	Log 6		SRV2224-705	
7	Fireplace Termination Assembly		2205-012	
	Flex Pipe Handle		438-351	
	Gasket		2206-401	
8	Burner Assembly		2224-007	Y
9	Base Pan	No Longer Available	2205-106	
10	Valve Assembly		Refer to valve page.	
11	Grate Assembly		2224-016	
12	Glass Door Assembly		GLA-2205	Y
13	Control Panel		2205-129	
14	Cord Assembly		2226-017	Y
15	Wire Assembly		2206-068	Y

Additional service part numbers appear on following page.

#10 Valve Assembly



IMPORTANT: THIS IS DATED INFORMATION. When requesting service or replacement parts for your appliance please provide model number and serial number. All parts listed in this manual may be ordered from an authorized dealer.



Stocked at Depot

ITEM	DESCRIPTION	COMMENTS	PART NUMBER	
10.1	*Pilot Bracket	Call Tech Service with Serial number		
10.2	*Pilot Assembly NG		Call Tech Service with Serial number	
	*Pilot Assembly LP			
10.3	Orifice NG (#33C)		582-833	Y
	Orifice LP (#50C)		582-850	Y
10.4	18" Flex Tube Assembly		530-302A	Y
10.5	Bracket		2205-128	
10.6	Valve Bracket		2205-146	
10.7	Flex Ball Valve Assembly		SRV302-320	Y
10.8	Valve NG		750-500	Y
	Valve LP		750-501	Y
10.9	Brass Connector	Pkg of 5	303-315/5	Y
10.10	Battery Pack		SRV593-594	Y
10.11	Wire Harness		SRV593-590	Y
10.12	Power Supply		SRV593-593	Y
10.13	Module		593-592	Y

*Call Tech Service with serial number for correct conversion and/or possible upgrade pilot kit

Additional service part numbers appear on following page.

IMPORTANT: THIS IS DATED INFORMATION. When requesting service or replacement parts for your appliance please provide model number and serial number. All parts listed in this manual may be ordered from an authorized dealer.



**Stocked
at Depot**

ITEM	DESCRIPTION	COMMENTS	PART NUMBER	
	Gasket Assembly		2206-080	
	Includes Air Passage, Valve Plate, Exhaust Bottom, Exhaust Top, and Burner Neck Gaskets			
	Glass Clip Support Assembly, Bottom	Qty 2 req	2155-045	Y
	Glass Latch Assembly, Top	Qty 2 req	339-121A	Y
	Lava Rock		4021-296	
	Mineral Wool		050-721	
	Refractory Kit (sold as Set Only)		BRICK-NDI35	
	Touch up Paint		TUP-GBK-12	
	*Conversion Kit NG		Call Tech Service with Serial number	
	*Conversion Kit LP			
	*Pilot Orifice NG		Call Tech Service with Serial number	
	*Pilot Orifice LP			
	Regulator NG		SRVNGK-DXV	Y
	Regulator LP		SRVLPK-DXV	Y

*Call Tech Service with serial number for correct conversion and/or possible upgrade pilot kit