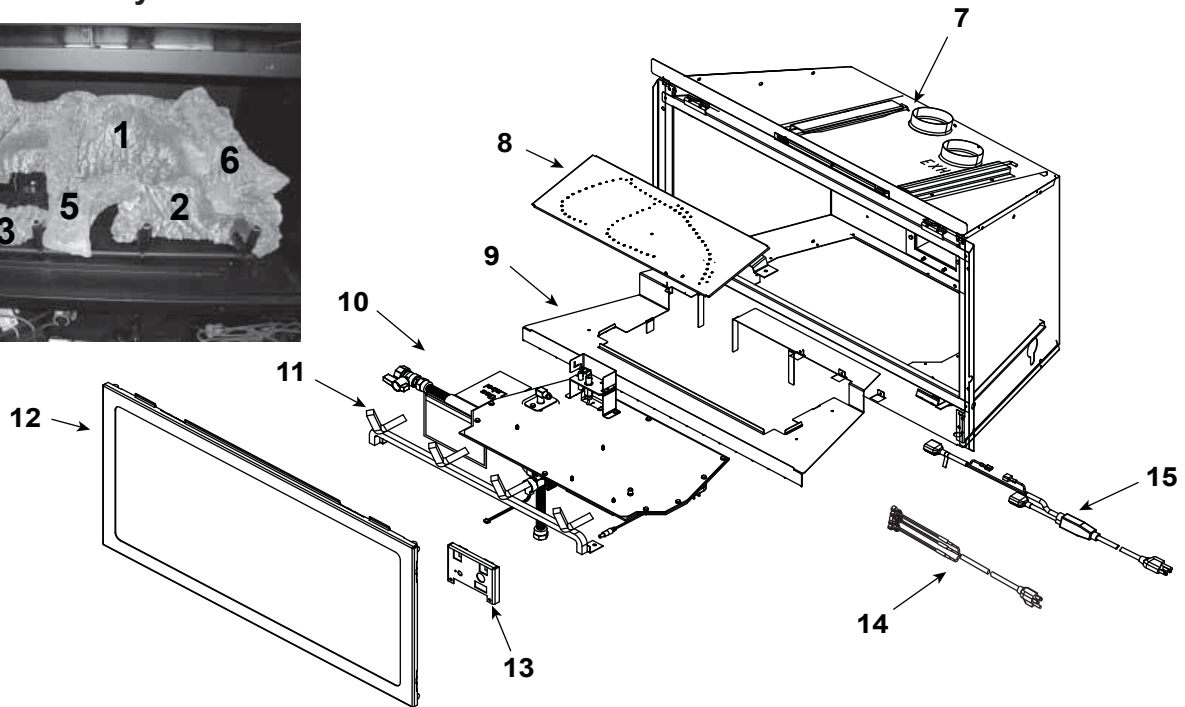
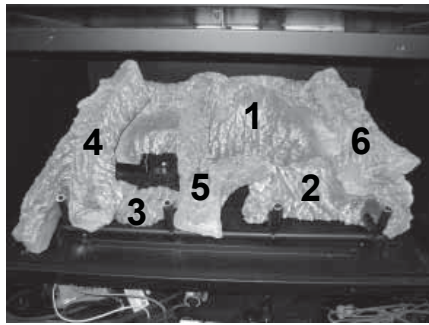


Log Set Assembly



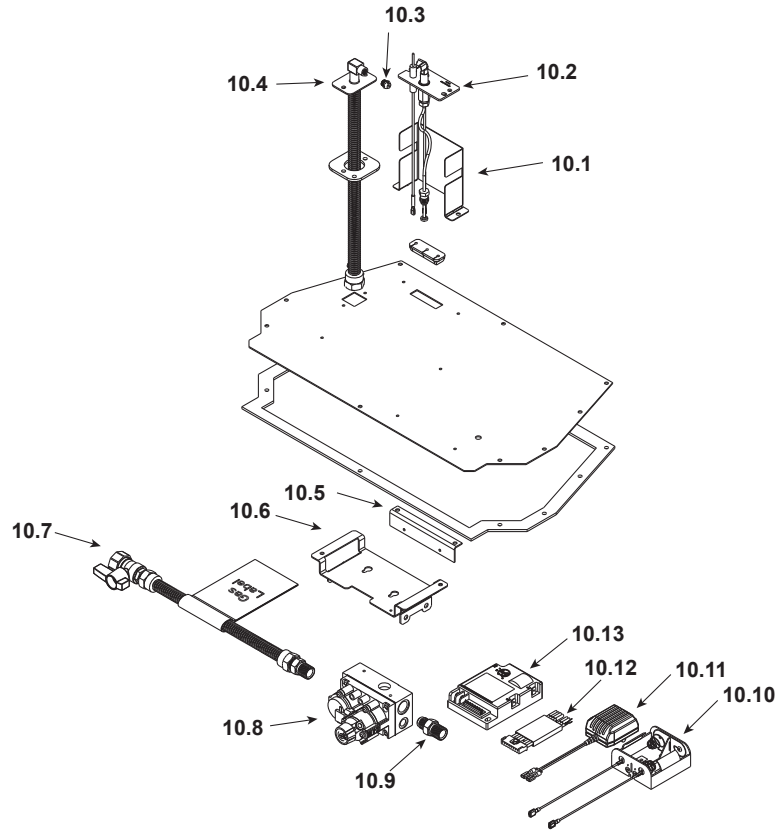
IMPORTANT: THIS IS DATED INFORMATION. Parts must be ordered from a dealer or distributor. **Hearth and Home Technologies does not sell directly to consumers.** Provide model number and serial number when requesting service parts from your dealer or distributor.



Stocked at Depot

ITEM	DESCRIPTION	COMMENTS	PART NUMBER	Stocked at Depot
	Log Assembly		LOGS-NDI30	Y
1	Log 1	No longer available, Must order complete assembly	SRV2226-701	
2	Log 2		SRV2226-702	
3	Log 3		SRV2226-706	
4	Log 4		SRV2226-703	
5	Log 5		SRV2226-705	
6	Log 6		SRV2206-704	
7	Termination Plate Assembly		2206-012	
	Flex Pipe Handle		438-351	
	Gasket		2206-401	
8	Burner Assembly		2226-007	Y
9	Base Pan		2206-106	
10	Valve Assembly		Refer to valve page	
11	Grate Assembly		2226-016	
12	Glass Door Assembly		GLA-2206	Y
13	Control Panel		2205-129	
14	Cord Assembly		2226-017	Y
15	Wire Assembly		2206-068	Y

#10 Valve Assembly



IMPORTANT: THIS IS DATED INFORMATION. Parts must be ordered from a dealer or distributor. **Hearth and Home Technologies does not sell directly to consumers.** Provide model number and serial number when requesting service parts from your dealer or distributor.



Stocked at Depot

ITEM	DESCRIPTION	COMMENTS	PART NUMBER	
10.1	*Pilot Bracket	Call Tech Service with Serial number		
10.2	*Pilot Assembly NG		Call Tech Service with Serial number	
	*Pilot Assembly LP			
10.3	Orifice NG (#35C)		SRV582-835	Y
	Orifice LP (#51C)		SRV582-851	Y
10.4	Flexible Gas Connector		530-302A	Y
10.5	Control Panel Bracket		2205-128	
10.6	Valve Bracket		2205-146	
10.7	Flex Ball Valve Assembly		SRV302-320	Y
10.8	Valve NG		750-500	Y
	Valve LP		750-501	Y
10.9	Brass Connector	Pkg of 5	303-315/5	Y
10.10	Battery Pack		SRV593-594	Y
10.11	Power Supply		SRV593-593	Y
10.12	Wire Harness		SRV593-590	Y
10.13	Module		593-592	Y

*Call Tech Service with serial number for correct conversion and/or possible upgrade pilot kit

Additional service part numbers appear on following page.

IMPORTANT: THIS IS DATED INFORMATION. Parts must be ordered from a dealer or distributor. **Hearth and Home Technologies does not sell directly to consumers.** Provide model number and serial number when requesting service parts from your dealer or distributor.



Stocked at Depot

ITEM	DESCRIPTION	COMMENTS	PART NUMBER	
	Gasket Assembly		2206-080	
	Includes Air Passage, Valve Plate, Exhaust Bottom, Exhaust Top, and Burner Neck Gaskets			
	Glass Clip Support Assembly, Bottom	Qty 2 req	2155-045	Y
	Glass Latch Assembly, Top	Qty 2 req	339-121A	Y
	Lava Rock		4021-296	
	Mineral Wool		050-721	
	Refractory Kit (Sold as Set Only)		BRICK-NDI30	
	Touch Up Paint		TUP-GBK-12	
	*Conversion Kit NG		Call Tech Service with Serial number	
	*Conversion Kit LP		Call Tech Service with Serial number	
	*Pilot Orifice NG		Call Tech Service with Serial number	
	*Pilot Orifice LP		Call Tech Service with Serial number	
	Regulator NG		SRVNGK-DXV	Y
	Regulator LP		SRVLPK-DXV	Y

*Call Tech Service with serial number for correct conversion and/or possible upgrade pilot kit