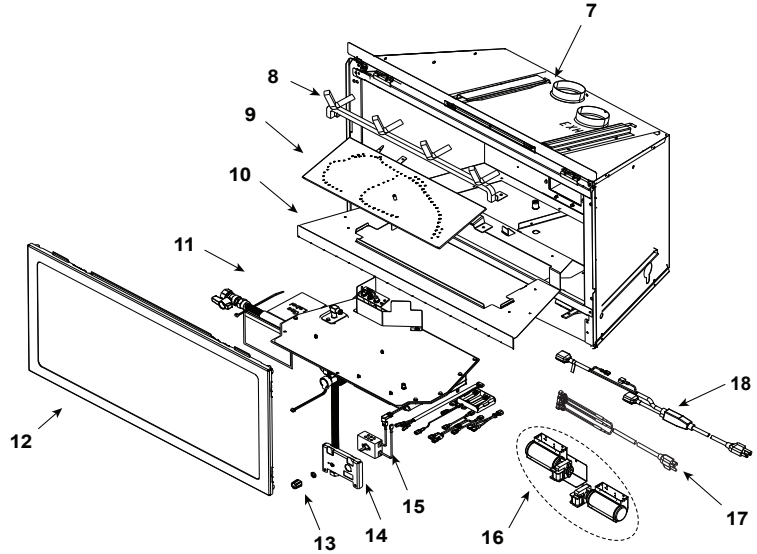
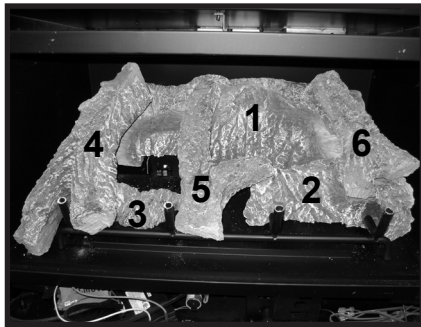


Log Set Assembly



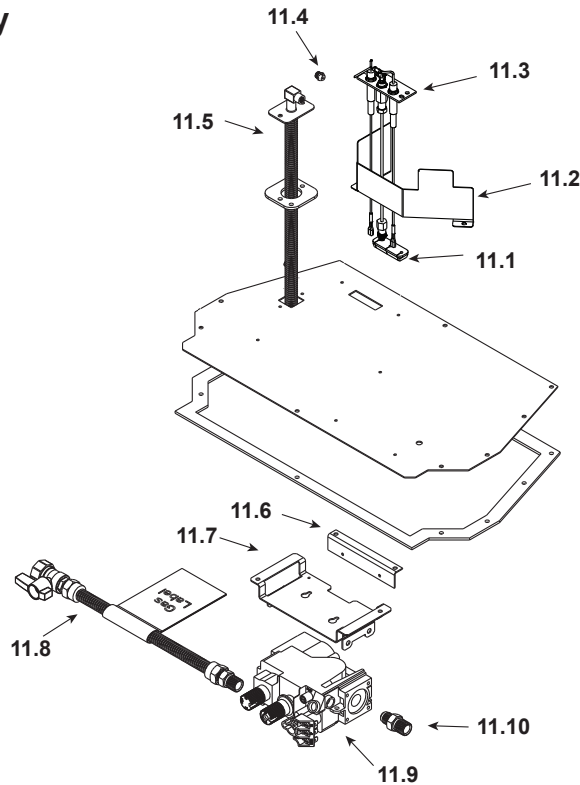
IMPORTANT: THIS IS DATED INFORMATION. Parts must be ordered from a dealer or distributor. **Hearth and Home Technologies does not sell directly to consumers.** Provide model number and serial number when requesting service parts from your dealer or distributor.



Stocked at Depot

ITEM	DESCRIPTION	COMMENTS	PART NUMBER	Stocked at Depot
	Log Assembly		LOGS-NDI30	Y
1	Log 1	Pre 5/15/16, Must order complete assembly	SRV2226-701	
2	Log 2		SRV2226-702	
3	Log 3		SRV2226-706	
4	Log 4		SRV2226-703	
5	Log 5		SRV2226-705	
6	Log 6		SRV2226-704	
7	Termination Plate Assembly	Pre 0023696931	2206-012	
		Post 0023696931	2206-013	
	Flex Pipe Handle		438-351	
	Gasket	Pre 0023696931	2206-401	
		Post 0023696931	2206-178	
8	Grate Assembly		2226-016	
9	Burner Assembly		2226-008	Y
10	Base Pan		2206-127	
11	Valve Assembly		Refer to valve page	
12	Glass Door Assembly		GLA-2206	Y
13	Rheostat Knob		SRV100-512	Y
14	Control Panel		2205-129	
15	Rheostat		2206-800	Y
16	Blower Assembly		GFK-210-C	
17	Wire Assembly		2206-068	Y
18	Cord Assembly		2201-017	Y
	Fuse Wire Assembly	Qty 2 req	2206-085	

#11 Valve Assembly



IMPORTANT: THIS IS DATED INFORMATION. Parts must be ordered from a dealer or distributor. **Hearth and Home Technologies does not sell directly to consumers.** Provide model number and serial number when requesting service parts from your dealer or distributor.



**Stocked
at Depot**

ITEM	DESCRIPTION	COMMENTS	PART NUMBER	
11.1	Grommet, 3 hole		SRV2118-420	
11.2	Pilot Bracket		2206-128	
11.3	Pilot Assembly NG		2103-010	Y
	Pilot Assembly Propane		2103-011	Y
	Pilot Tube		SRV485-301	Y
	Thermocouple		446-511	Y
	Thermopile		2103-512	Y
11.4	Orifice NG (#35C)		SRV582-835	Y
	Orifice Propane (#51C)		SRV582-851	Y
11.5	18" Flex Tube Assembly		530-302A	Y
11.6	Control Panel Bracket		2205-128	
11.7	Valve Bracket		2205-146	
11.8	Flex Ball Valve Assembly		SRV302-320	Y
11.9	Valve NG		230-0710	Y
	Valve Propane		230-0720	Y
11.10	Brass Connector	Pkg of 5	303-315/5	Y

Additional service part numbers appear on following page.

