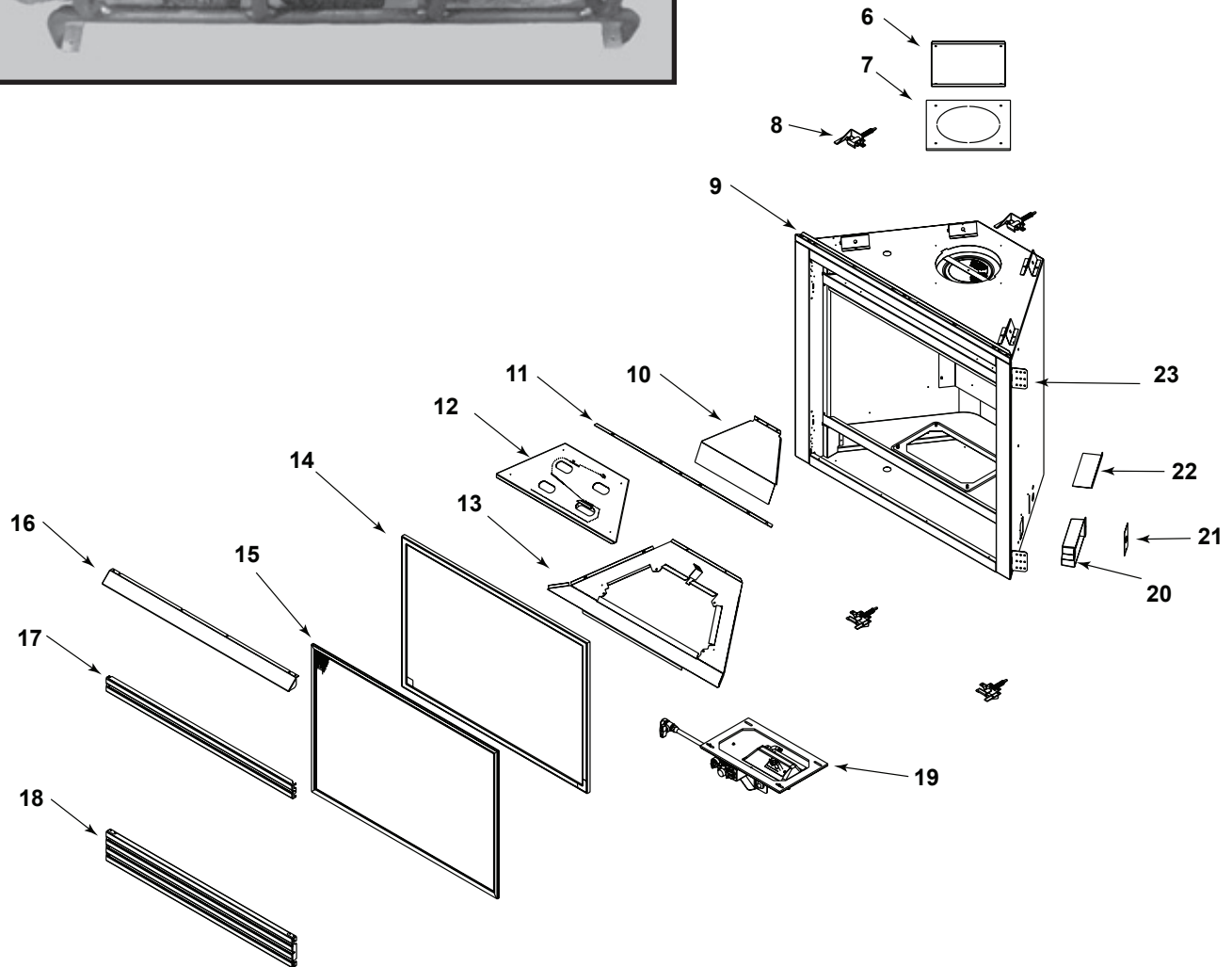
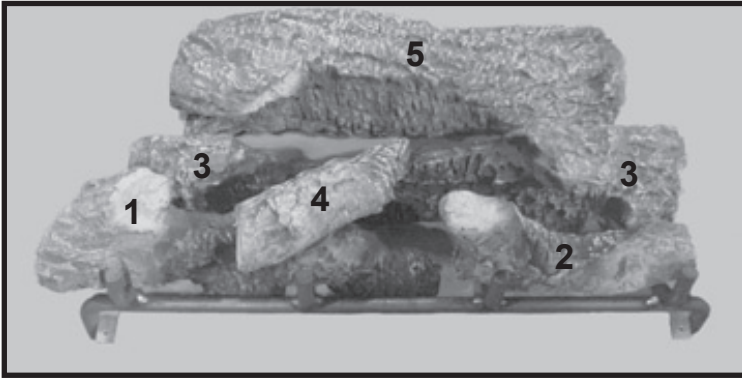


Log Set Assembly



Part number list on following page.

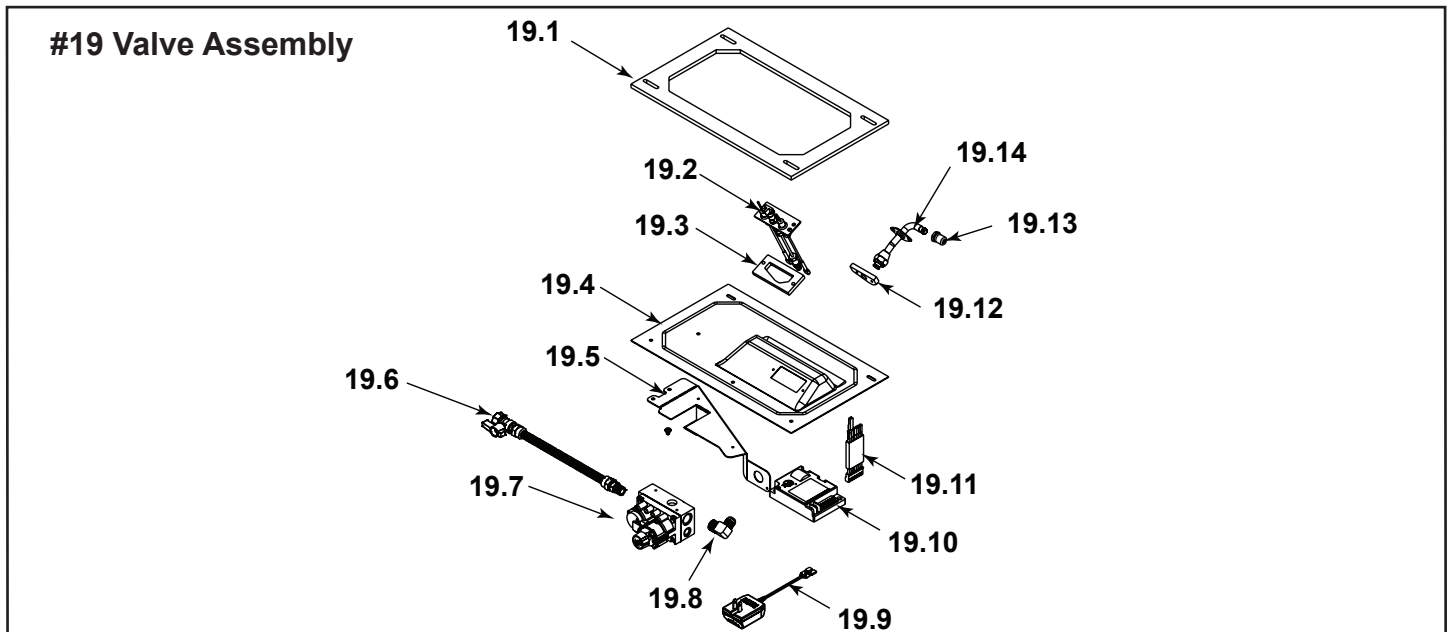
IMPORTANT: THIS IS DATED INFORMATION. Parts must be ordered from a dealer or distributor. **Hearth and Home Technologies does not sell directly to consumers.** Provide model number and serial number when requesting service parts from your dealer or distributor.



**Stocked
at Depot**

ITEM	DESCRIPTION	COMMENTS	PART NUMBER	
	Log/Grate Assembly		4031-090	Y
1	Front Left Log		SRV4031-273	
2	Front Right Log		SRV4031-274	
3	Middle Log		SRV4031-280	
4	Top Log		SRV4031-276	
5	Back Log		SRV4031-278	
6	Intake Cover Plate	No longer available	25844	
7	Intake Cover Gasket		4031-239	
8	Glass Latch Assembly	Pkg of 2	33858/2	Y
9	42 in. Drywall Lip		4031-207	
10	36 in. Visor Shield	No longer available	4031-237	
11	36 in. Glass Shield		4031-219	
12	Burner Assembly		4031-062	Y
13	Hearth Pan	No longer available	4031-497	
14	Glass Frame Assembly		GLA4031-095	Y
15	Screen Assembly		35106	Y
16	36 in. Hood	No longer available	4031-211	
17	Upper Grille Assembly		4031-082	
18	Lower Grille Assembly	No longer available	4031-078	
19	Valve Assembly		Refer to valve page	
20	Junction Box (plastic)		SRV4021-013	Y
21	Cover Plate		SRV4031-222	
22	Junction Box Radiation Shield		4031-193	
23	Nailing Flange	Qty 4 req	SRV31190	
	Inner Firebox Overlay	No longer available	4006-011	
	Screen Bracket	No longer available	SRV28159	
	Shoulder Screws	Pkg of 25	501-836-25	Y
	Fan Kit with Timer		GFK4B	
	Wool, Rock, Vermiculite		SRV4040-094	
	Lava Rock		SRV4021-296	
	Mineral Wool		SRV14333	
	Vermiculite		28746	
	Conversion Kit NG		DCKVN	Y
	Conversion Kit LP		DCKVP	Y
	Installation Inst. & Owner's Manual	No longer available	4031-550	

Additional service parts on following page.



IMPORTANT: THIS IS DATED INFORMATION. Parts must be ordered from a dealer or distributor. **Hearth and Home Technologies does not sell directly to consumers.** Provide model number and serial number when requesting service parts from your dealer or distributor.



Stocked at Depot

ITEM	DESCRIPTION	COMMENTS	PART NUMBER	
19.1	Valve Plate Gasket		4031-149	
19.2	Pilot Assembly NG		4021-422	Y
	Pilot Assembly LP		4021-423	Y
	Pilot Tube Assembly (24 in)		SRV4021-193	Y
19.3	Pilot Gasket		4021-042	
19.4	Valve Plate		SRV4031-146	
19.5	Valve Bracket	Pre GA1587914	4031-506	
		Post GA1587914	4031-507	
19.6	Flex Ball Valve Assembly		SRV302-320	Y
19.7	Variable Dexen Valve NG		750-500	Y
	Variable Dexen Valve LP		750-501	Y
19.8	Brass Connector - 90 Flex		SRV4021-045	
19.9	3V Adaptor Plug		SRV593-593	Y
	Battery Pack		SRV593-594	Y
19.10	Control Module		SRV593-592	Y
19.11	Wire Assembly		SRV593-590	Y
19.12	Bulkhead Gasket	No longer available	4021-043	
19.13	Threaded Orifice (.0935) - NG		SRV4031-159	Y
	Threaded Orifice (.058) - LP		SRV4031-165	Y
19.14	Bulkhead	No longer available	4031-192	
		No longer available	4031-547	
	Wall Switch Wire Assembly		SRV2118-170	Y
	Touch-up Paint, Interior		SRV4021-110	
	Touch-up Paint, Exterior	GA Serial #s	71479	
		002 Serial #s	Tup-GBK-12	