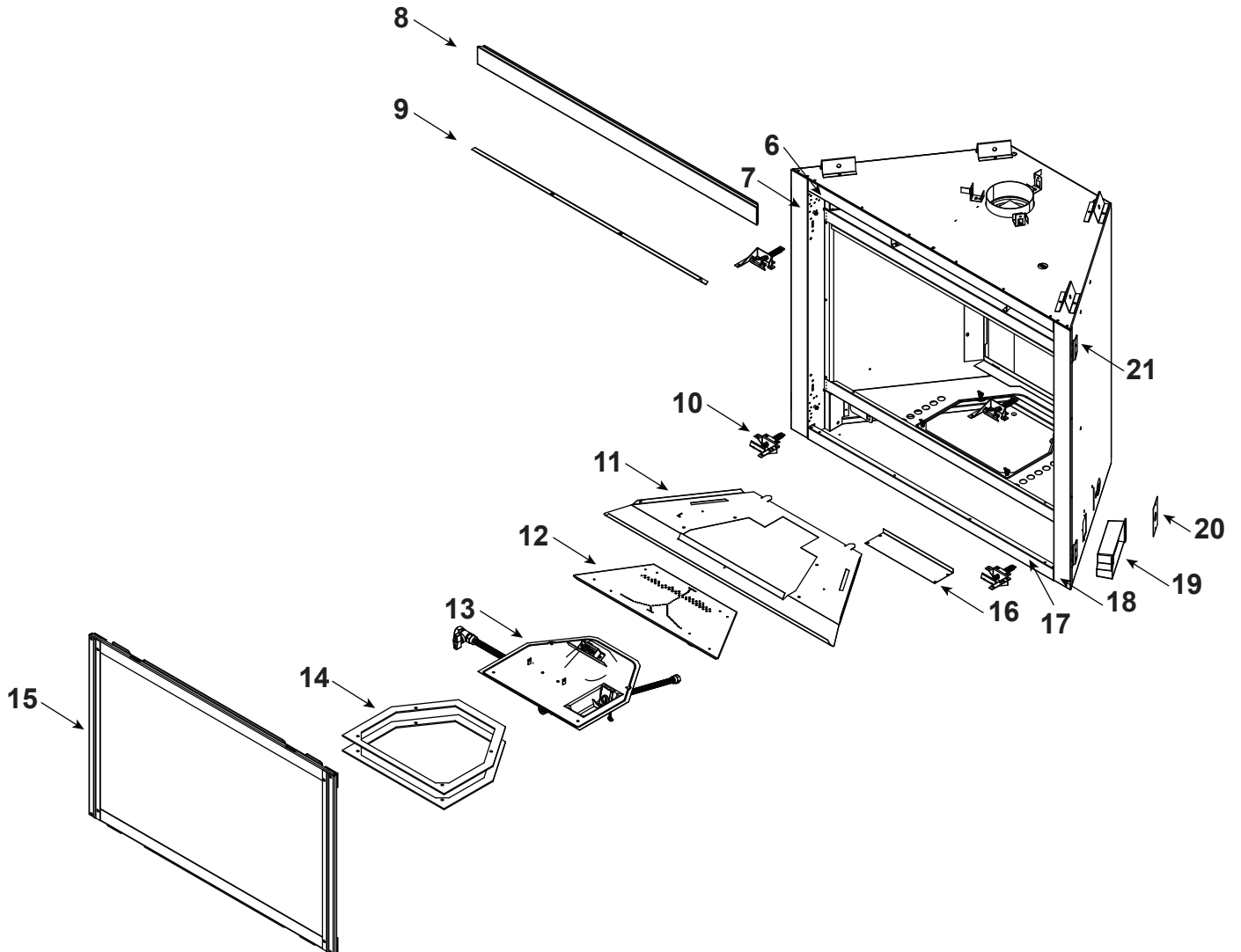
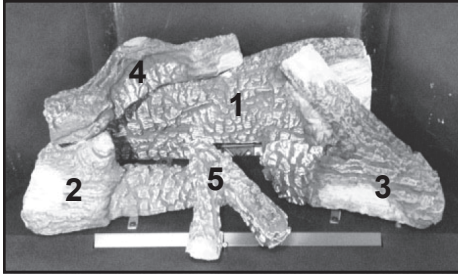


**Log Set Assembly**



Part number list on following page.

IMPORTANT: THIS IS DATED INFORMATION. Parts must be ordered from a dealer or distributor. **Hearth and Home Technologies does not sell directly to consumers.** Provide model number and serial number when requesting service parts from your dealer or distributor.

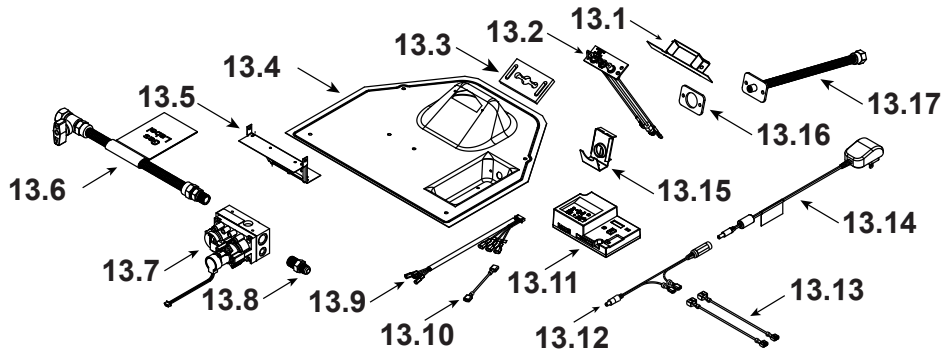


**Stocked  
at Depot**

| ITEM | DESCRIPTION                                       | COMMENTS              | PART NUMBER                |   |
|------|---|-----------------------|----------------------------|---|
|      | Log Set Assembly                                  |                       | SRV2383-070                | Y |
| 1    | Rear Log  |                       | SRV2383-071                |   |
| 2    | Front Left Log                                    |                       | SRV2383-072                |   |
| 3    | Front Right Log                                   |                       | SRV2383-073                |   |
| 4    | Top Log   |                       | SRV2382-074                |   |
| 5    | Middle Log  |                       | SRV2383-075                |   |
| 6    | Not replaceable must order overlay (CUST4018-001) |                       | 4055-197                   |   |
| 7    |   |                       | 4055-133                   |   |
| 8    | Dry Wall Lip                                      |                       | 4031-208                   |   |
| 9    | Glass Shield                                      |                       | 4031-220                   |   |
| 10   | Glass Latch Assembly                              | Qty 4 req             | 2382-400                   | Y |
| 11   | Hearth Pan  |                       | 2383-111                   |   |
| 12   | Burner Assembly                                   |                       | 2383-007                   | Y |
| 13   | Valve Assembly                                    |                       | <b>Refer to valve page</b> |   |
| 14   | Gasket, Valve Plate                               | Qty 2 req             | 4055-135                   |   |
| 15   | Glass Frame Assembly                              |                       | GLA2383-018                |   |
| 16   | Fan Shield  |                       | 4031-290                   |   |
| 17   | Not replaceable must order overlay (CUST4018-001) |                       | 4055-197                   |   |
| 18   |   |                       | 4055-133                   |   |
| 19   | Junction box                                      |                       | SRV2326-013                | Y |
| 20   | Cover Plate                                       |                       | SRV4031-222                |   |
| 21   | Nailing Flange                                    | Qty 4 req             | SRV4044-161                |   |
|      | High Limit Switch                                 |                       | SRV4021-383                | Y |
|      | Lava Rock Bag Assembly                            |                       | SRV4040-094                |   |
|      | Lava Rock, 3 lbs. Bag                             |                       | 4021-297                   |   |
|      | Mineral Wool                                      |                       | SRV14333                   |   |
|      | Thumb Screws                                      | Pkg of 25             | 4021-558/25                | Y |
|      | Touch-up Paint, Interior                          | <b>Pre LC6013112</b>  | SRV4021-110                |   |
|      |   | <b>Post LC6013111</b> | TUPB-12                    |   |
|      | Touch-up Paint, Exterior                          |                       | TUPB-12                    |   |
|      | Conversion Kit NG                                 |                       | NGK-NOVUS-IFT              | Y |
|      | Conversion Kit Propane                            |                       | LPK-NOVUS-IFT              | Y |
|      | Pilot Orifice NG                                  |                       | SRV593-528                 | Y |
|      | Pilot Orifice Propane                             |                       | SRV593-527                 | Y |
|      | Regulator NG                                      |                       | NGK-DXV-50                 | Y |
|      | Regulator Propane                                 |                       | SRVLPK-DXV-50              | Y |

Additional service part numbers appear on following page.

**#13 Valve Assembly**



IMPORTANT: THIS IS DATED INFORMATION. Parts must be ordered from a dealer or distributor. **Hearth and Home Technologies does not sell directly to consumers.** Provide model number and serial number when requesting service parts from your dealer or distributor.



**Stocked at Depot**

| ITEM  | DESCRIPTION                           | COMMENTS  | PART NUMBER |   |
|-------|---------------------------------------|-----------|-------------|---|
| 13.1  | Pilot Shield                          |           | 2382-131    |   |
| 13.2  | Pilot Assembly NG                     |           | SRV2090-012 | Y |
|       | Pilot Assembly Propane                |           | 2090-013    | Y |
| 13.3  | Gasket, Pilot Assembly                |           | 4021-042    |   |
| 13.4  | Seal Plate Assembly                   |           | 2382-584    |   |
| 13.5  | Valve Bracket                         |           | 4055-205    |   |
| 13.6  | Flex Ball Valve Assembly              |           | SRV302-320  | Y |
|       | Valve NG                              |           | SRV2166-302 | Y |
| 13.7  | Valve Propane                         |           | 2166-303    | Y |
|       | Brass Fitting                         | Pkg of 5  | 303-315/5   | Y |
| 13.8  | Wire Harness, IFT 6 Pin               |           | SRV2326-132 | Y |
| 13.9  | Jumper Wire                           |           | 2155-003    | Y |
| 13.10 | Module, IFT Control                   |           | SRV2326-130 | Y |
| 13.11 | Jumper Wire, Wall Switch              |           | SRV2179-300 | Y |
| 13.12 | Wire Assembly, High Temp Limit Switch | Qty 2 req | SRV34937    | Y |
| 13.13 | Transformer                           |           | SRV2326-131 | Y |
| 13.14 | Air Shutter Assembly                  |           | SRV4055-202 | Y |
| 13.15 | Gasket, Bulkhead                      |           | 4021-429    |   |
| 13.16 | Bulkhead, Flexible                    |           | 4021-512    | Y |
|       | Wire Assembly , Wall Switch           |           | SRV2118-170 | Y |
|       | Orifice NG (#37C)                     |           | 582-837     | Y |
|       | Orifice Propane (#52C)                |           | SRV582-852  | Y |