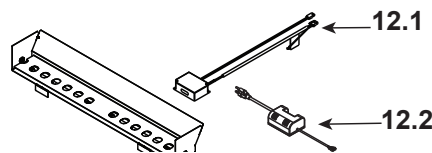


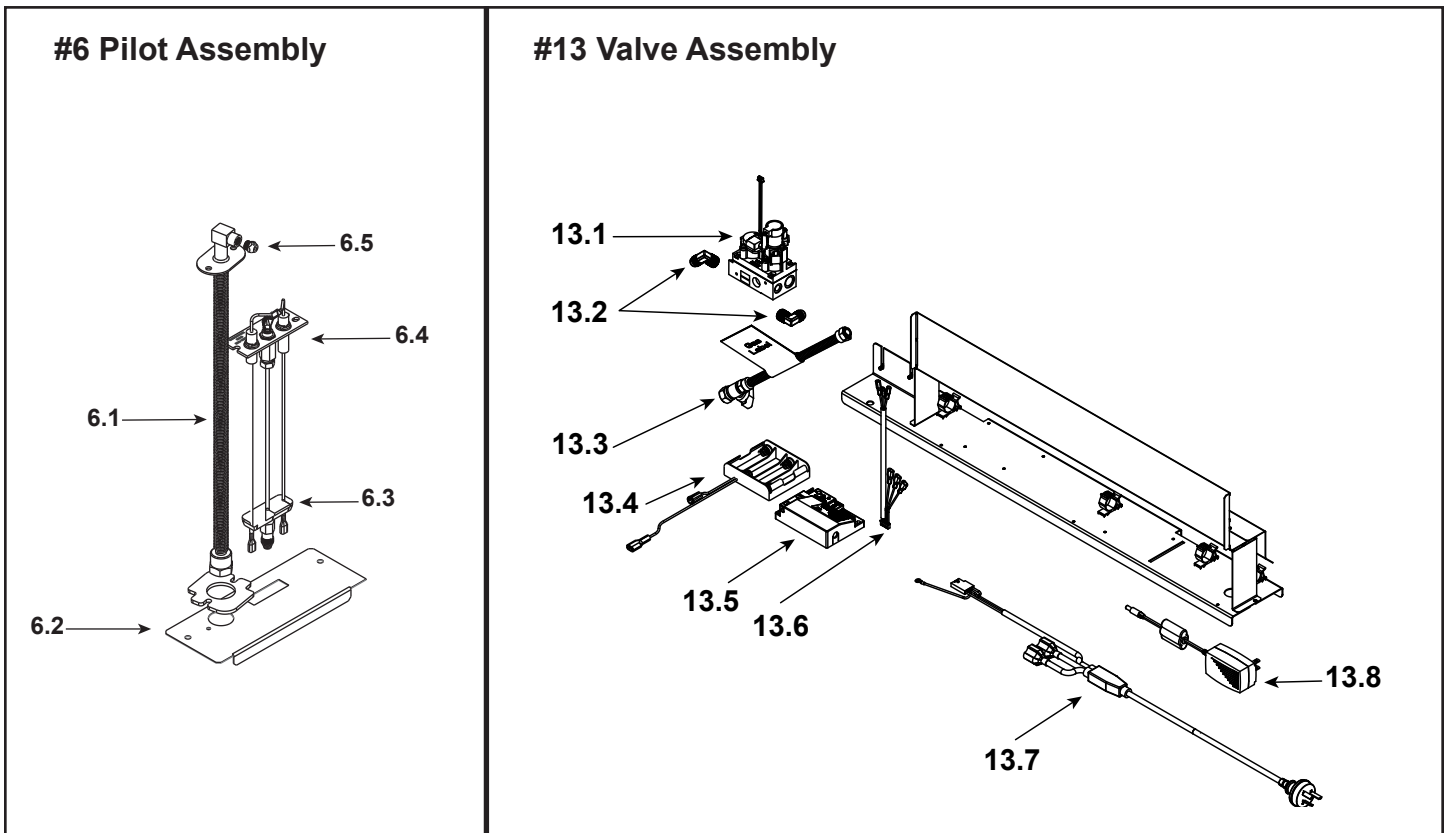
IMPORTANT: THIS IS DATED INFORMATION. Parts must be ordered from a dealer or distributor. **Hearth and Home Technologies does not sell directly to consumers.** Provide model number and serial number when requesting service parts from your dealer or distributor.

ITEM	DESCRIPTION	COMMENTS	PART NUMBER
1	Non-combustible Board, Top		SRV2316-460
2	Standoff, Top	Qty 4 req	2604-283
3	Non-combustible Board, Side Pkg of 2		2304-461
4	Bottom Glass		2312-018
5	Burner		2312-007
6	Pilot Assembly		See Following Page
7	Shield, Pilot		2300-195
8	Glass Assembly		GLA-36-HNG
9	Shield, Bottom Glass		2312-179
10	Panel, Bottom		2316-147
11	Rock Tray		2312-151

#12 LED Light Assembly



12	LED Light Assembly		SRV2316-014
12.1	LED 12V Power Supply		2326-114
12.2	AUX300CE		2166-340



IMPORTANT: THIS IS DATED INFORMATION. Parts must be ordered from a dealer or distributor. **Hearth and Home Technologies does not sell directly to consumers.** Provide model number and serial number when requesting service parts from your dealer or distributor.

ITEM	DESCRIPTION	COMMENTS	PART NUMBER
6.1	Bulkhead w/Flex tube		2166-119
6.2	Plate, Flex and Pilot		2300-163
6.3	3-Hole Grommet		SRV2118-420
6.4	Pilot Assembly, NG		SRV2090-012
	Pilot Assembly, Propane		2090-013
6.5	Orifice, NG #36C		582-836
	Orifice, Propane #52C		SRV582-852
13.1	Valve, NG		SRV2166-302
	Valve, Propane		2166-303
13.2	Elbow	Qty 2 req	SRV4021-045
13.3	Flex Ball Valve Assembly		SRV2078-022
13.4	Battery Pack		SRV2166-323
13.5	Module		2166-306
13.6	Wire Harness		2166-304
13.7	Junction Cord		2222-374
13.8	Transformer, 6 Volt Wall		SRV2326-131
	Component Insulation		2604-102

Additional service part numbers on following page.



No one builds a better fire

Beginning Manufacturing Date: Feb 2016
Ending Manufacturing Date: Active

IMPORTANT: THIS IS DATED INFORMATION. Parts must be ordered from a dealer or distributor. **Hearth and Home Technologies does not sell directly to consumers.** Provide model number and serial number when requesting service parts from your dealer or distributor.

ITEM	DESCRIPTION	COMMENTS	PART NUMBER
	Cable, Linear		2300-754
	Flue Restrictor		385-128
	Fiber Glass Rope		060-455
	Gasket Assembly Contains: Vent, Burner Neck, Seal Cap, Air Passage, Drawn Air Passage, and Flex and Pilot		2300-080
	Glass Latch Assembly	Qty 2 req	2146-413
	Log Assembly (Optional)		LOGS-36
	Light Kit, Ambient		ALK-36
	Refractory Assembly, Black Glass		BGK-36
	Remote RC300AU-HNG		2166-333
	Touch Up Paint		TUP-GBK-12
	Vinyl Siding Shield		TRAP-VSS
Media Options			
	Media Kit, Red		MEDIA-RED-36
	Media Kit, Fog		MEDIA-FOG-36
	Media Kit, Ebony		MEDIA-EBONY-36
	Media Kit, Cobalt		MEDIA-COBALT-36
	Media Kit, Clear		MEDIA-CLEAR-36
	Media Kit, Amber		MEDIA-AMBER-36
Conversion Kits			
	Conversion Kit NG		N/A
	Conversion Kit Propane		ULPK-1000
	Pilot Orifice, NG		SRV593-528
	Pilot Orifice, Butane		593-529
	Pilot Orifice, Propane		SRV593-527
	Regulator, NG		NGK-DXV-50
	Regulator, Propane		SRVLPK-DXV-50