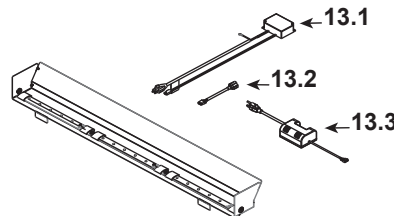


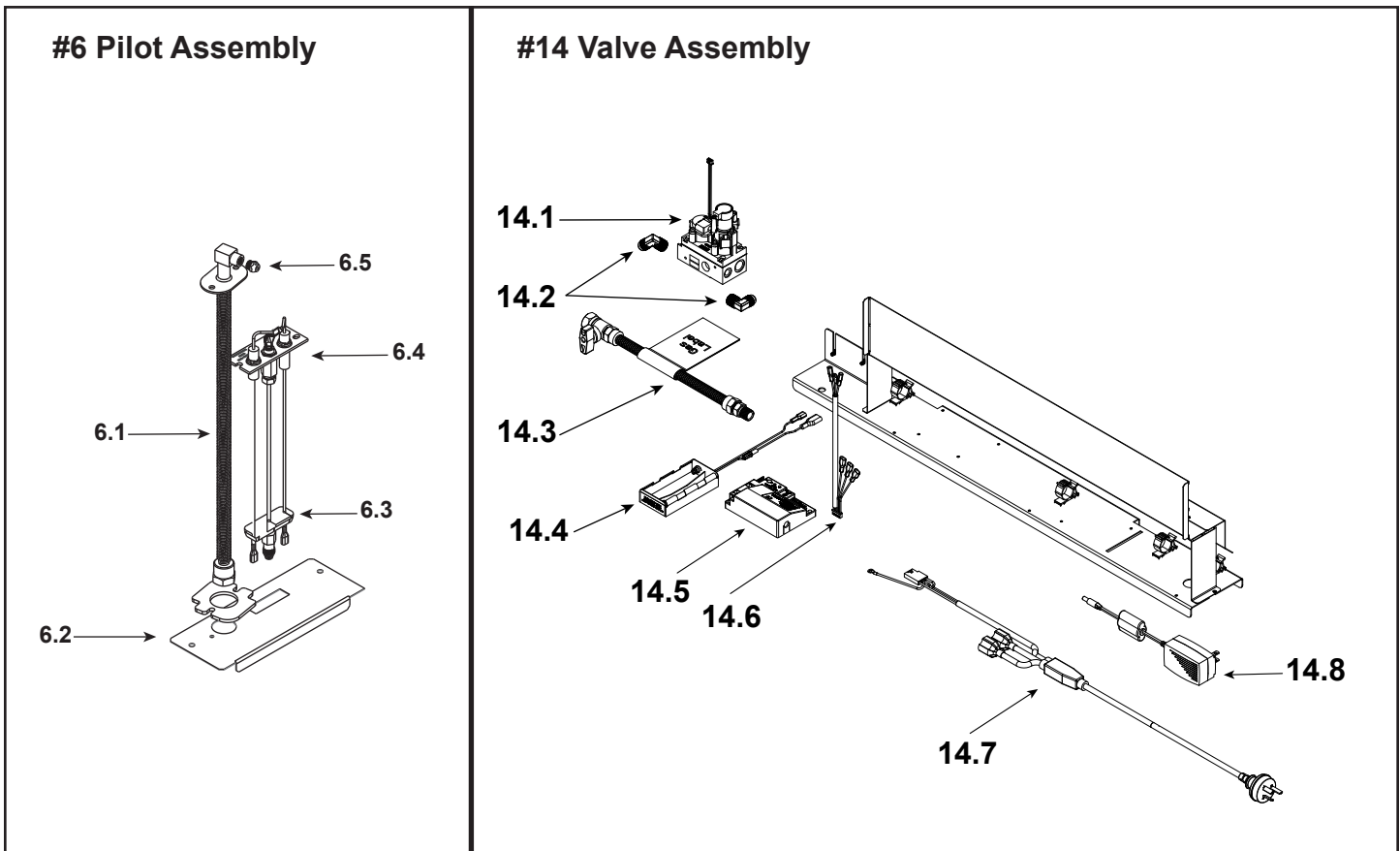
**IMPORTANT: THIS IS DATED INFORMATION.** Parts must be ordered from a dealer or distributor. **Hearth and Home Technologies does not sell directly to consumers.** Provide model number and serial number when requesting service parts from your dealer or distributor.

ITEM	DESCRIPTION	COMMENTS	PART NUMBER
1	Non-combustible Board, Top		SRV2304-460
2	Standoff, Top	Qty 4 req	2300-199
3	Non-combustible Board, Side	Qty 2 req	2304-461
4	Bottom glass		2300-018
5	Burner		2300-007
6	Pilot Assembly		<b>See Following Page</b>
7	Shield, Pilot		2300-195
8	Glass Assembly		GLA-48-HNG
9	Shield., Bottom Glass		2300-179
10	Panel, Bottom		2304-147
11	Rock Tray		2300-151
12	Rail, Burner	<b>No longer available</b>	2300-338

### #13 LED Light Assembly



13	LED Light Assembly		SRV2304-014
13.1	LED 12V Power Supply		2273-308
13.2	Cord Assembly		2101-084
13.3	AUX300CE		2166-340



**IMPORTANT: THIS IS DATED INFORMATION.** Parts must be ordered from a dealer or distributor. **Hearth and Home Technologies does not sell directly to consumers.** Provide model number and serial number when requesting service parts from your dealer or distributor.

ITEM	DESCRIPTION	COMMENTS	PART NUMBER
6.1	Bulkhead W/Flex tube		2166-119
6.2	Plate Flex and Pilot		2300-163
6.3	3-Hole Grommet		SRV2118-420
6.4	Pilot Assembly, NG		SRV2090-012
	Pilot Assembly, LP		2090-013
6.5	Orifice, NG #.124		582-8124
	Orifice, LP #49C		SRV582-849
14.1	Valve, NG		SRV2166-302
	Valve, LP		2166-303
14.2	Elbow	Qty 2 req	SRV4021-045
14.3	Flex Ball Valve Assembly		SRV302-320
14.4	Battery Pack		4067-223
14.5	Module		2166-306
14.6	Wire Harness		2166-304
14.7	Junction Cord		2222-374
14.8	DC Regulator		SRV2326-131

Additional service part numbers on following page.

