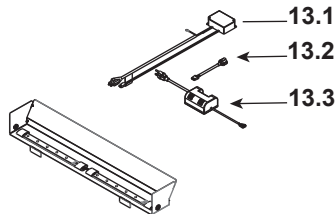


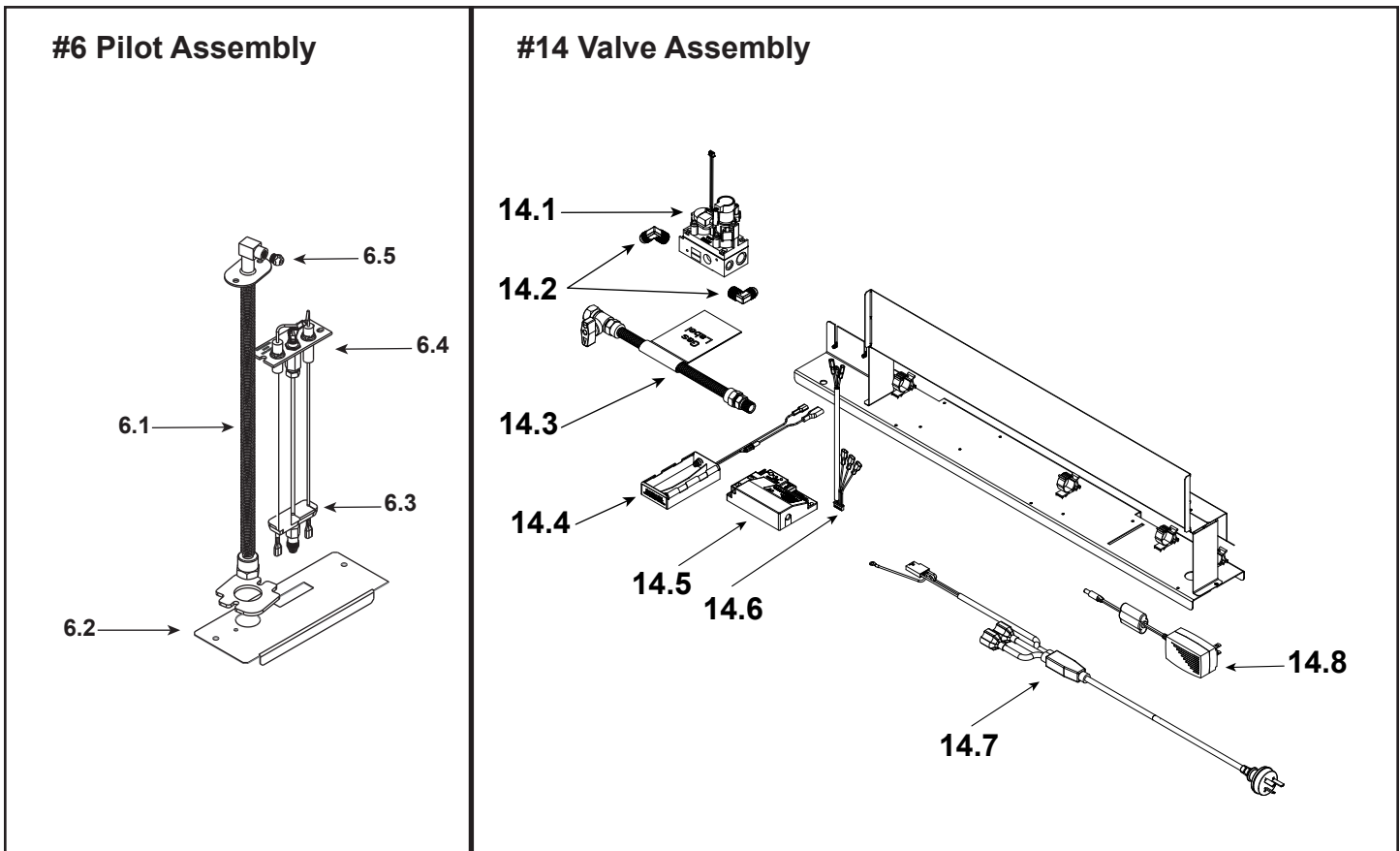
IMPORTANT: THIS IS DATED INFORMATION. Parts must be ordered from a dealer or distributor. **Hearth and Home Technologies does not sell directly to consumers.** Provide model number and serial number when requesting service parts from your dealer or distributor.

ITEM	DESCRIPTION	COMMENTS	PART NUMBER
1	Non-combustible Board, Top		SRV2316-460
2	Standoff, Top	Qty 4 req	2300-199
3	Non-combustible Board, Side	Qty 2 req	2304-461
4	Bottom glass		2312-018
5	Burner		2312-007
6	Pilot Assembly		See Following Page
7	Shield, Pilot		2300-195
8	Glass Assembly		GLA-36-HNG
9	Shield., Bottom Glass		2312-179
10	Panel, Bottom		2316-147
11	Rock Tray		2312-151
12	Rail, Burner	No longer available	2312-338

#13 LED Light Assembly



13	LED Light Assembly		SRV2316-014
13.1	LED 12V Power Supply		2273-308
13.2	Cord Assembly		2101-084
13.3	AUX300CE		2166-340



IMPORTANT: THIS IS DATED INFORMATION. Parts must be ordered from a dealer or distributor. **Hearth and Home Technologies does not sell directly to consumers.** Provide model number and serial number when requesting service parts from your dealer or distributor.

ITEM	DESCRIPTION	COMMENTS	PART NUMBER
6.1	Bulkhead W/Flex tube		2166-119
6.2	Plate Flex and Pilot		2300-163
6.3	3-Hole Grommet		SRV2118-420
6.4	Pilot Assembly, NG		SRV2090-012
	Pilot Assembly, LP		2090-013
6.5	Orifice, NG #36C		582-836
	Orifice, LP #52C		SRV582-852
14.1	Valve, NG		SRV2166-302
	Valve, LP		2166-303
14.2	Elbow	Qty 2 req	SRV4021-045
14.3	Flex Ball Valve Assembly		SRV302-320
14.4	Battery Pack		4067-223
14.5	Module		2166-306
14.6	Wire Harness		2166-304
14.7	Junction Cord		2222-374
14.8	DC Regulator		SRV2326-131

Additional service part numbers on following page.



Beginning Manufacturing Date: March 2015
Ending Manufacturing Date: Feb 2016

No one builds a better fire

IMPORTANT: THIS IS DATED INFORMATION. Parts must be ordered from a dealer or distributor. **Hearth and Home Technologies does not sell directly to consumers.** Provide model number and serial number when requesting service parts from your dealer or distributor.

ITEM	DESCRIPTION	COMMENTS	PART NUMBER
	Cable, Linear		2300-754
	Flue Restrictor		385-128
	Fiber Glass Rope		060-455
	Gasket Assembly Contains: Vent, Burner Neck, Seal Cap, Air Passage, Drawn Air Passage, and Flex and Pilot		2300-080
	Glass Latch Assembly	Qty 2 req	2146-413
	Log Assembly (Optional)		LOGS-36
	Light Kit, Ambient		ALK-36
	Refractory Assembly, Black Glass		BGK-36
	Remote RC300AU-HNG		REM300-HNG-AU
	Touch Up Paint		TUP-GBK-12
	Vinyl Siding Shield		TRAP-VSS
Media Options			
	Media Kit, Red		MEDIA-RED-36
	Media Kit, Fog		MEDIA-FOG-36
	Media Kit, Ebony		MEDIA-EBONY-36
	Media Kit, Cobalt		MEDIA-COBALT-36
	Media Kit, Clear		MEDIA-CLEAR-36
	Media Kit, Amber		MEDIA-AMBER-36
Conversion Kits			
	Conversion Kit NG		N/A
	Conversion Kit LP		ULPK-1000
	Pilot Orifice, NG		SRV593-528
	Pilot Orifice, BU		593-529
	Pilot Orifice, LP		SRV593-527
	Regulator, NG		NGK-DXV-50
	Regulator, LP		SRVLPK-DXV-50