



Service Parts

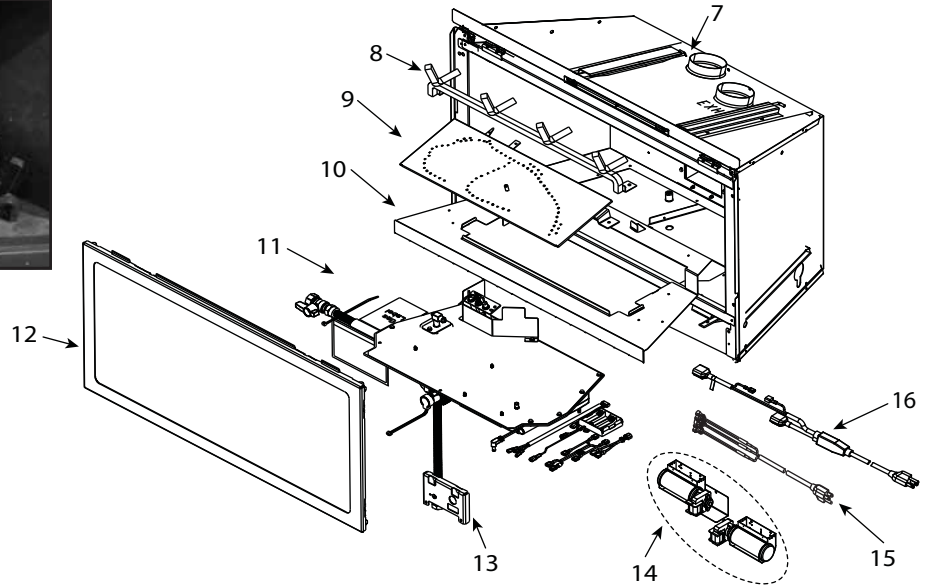
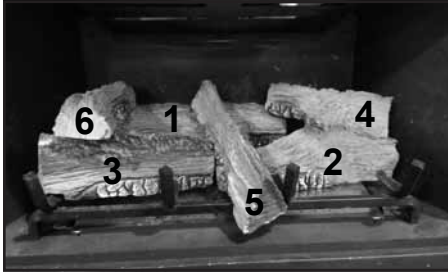
MDVI35IN, MDVI35IL

Ruby 35" Gas Insert - DV

Beginning Manufacturing Date: April 2016

Ending Manufacturing Date: Active

Log Set Assembly



IMPORTANT: THIS IS DATED INFORMATION. Parts must be ordered from a dealer or distributor. **Hearth and Home Technologies does not sell directly to consumers.** Provide model number and serial number when requesting service parts from your dealer or distributor.



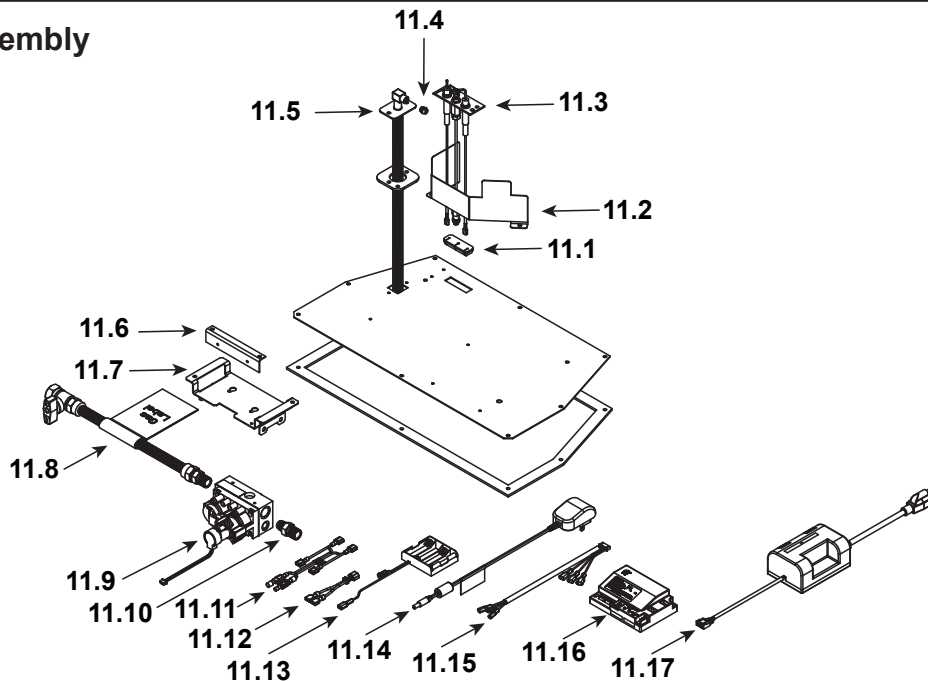
Stocked at Depot

ITEM	DESCRIPTION	COMMENTS	PART NUMBER	
	Log Assembly		LOGSMDVI35	Y
1	Log 1		SRV2218-701	
2	Log 2		SRV2218-704	
3	Log 3		SRV2218-705	
4	Log 4		SRV2218-702	
5	Log 5		SRV2218-703	
6	Log 6		SRV2218-706	
	Termination Plate Assembly		2205-013	
	Flex Pipe Handle		438-351	
	Gasket		2206-178	
8	Grate Assembly		2205-016	
9	Burner Assembly		2205-008	Y
10	Base Pan		2205-131	
11	Valve Assembly		<b>Refer to valve page.</b>	
12	Glass Door Assembly		GLA-2205	Y
13	Control Panel		2205-129	
14	Blower Assembly		GFK210MAJ	
15	Wire Assembly		2206-068	Y
16	Cord Assembly		2201-017	Y
	Fuse Wire Assembly		2206-085	Y

Additional service part numbers appear on following page.



#11 Valve Assembly



IMPORTANT: THIS IS DATED INFORMATION. Parts must be ordered from a dealer or distributor. **Hearth and Home Technologies does not sell directly to consumers.** Provide model number and serial number when requesting service parts from your dealer or distributor.



Stocked at Depot

ITEM	DESCRIPTION	COMMENTS	PART NUMBER	
11.1	Grommet, 3 Hole		SRV2118-420	
11.2	Pilot Shield		2206-120	
11.3	Pilot Assembly NG		2202-013	Y
	Pilot Assembly Propane		2202-014	Y
11.4	Orifice NG (#33C)		582-833	Y
	Orifice Propane (#51C)		582-851	Y
11.5	Flexible Gas Connector		530-302A	Y
11.6	Control Panel Bracket		2205-128	
11.7	Valve Bracket		2205-146	
11.8	Flex Ball Valve Assembly		SRV302-320	Y
11.9	Valve NG		2166-302	Y
	Valve Propane		2166-303	Y
11.10	Brass Connector	Pkg of 5	303-315/5	Y
11.11	Remote Jumper Wire		2103-013	Y
11.12	Jumper Wire		SRV2187-198	Y
11.13	Battery Pack		SRV2166-323	Y
11.14	Power Supply		2326-131	Y
11.15	Wire Harness		2166-304	Y
11.16	Module		2166-347	Y
11.17	AUX RC200		2166-325	Y

Additional service part numbers appear on following page.

