



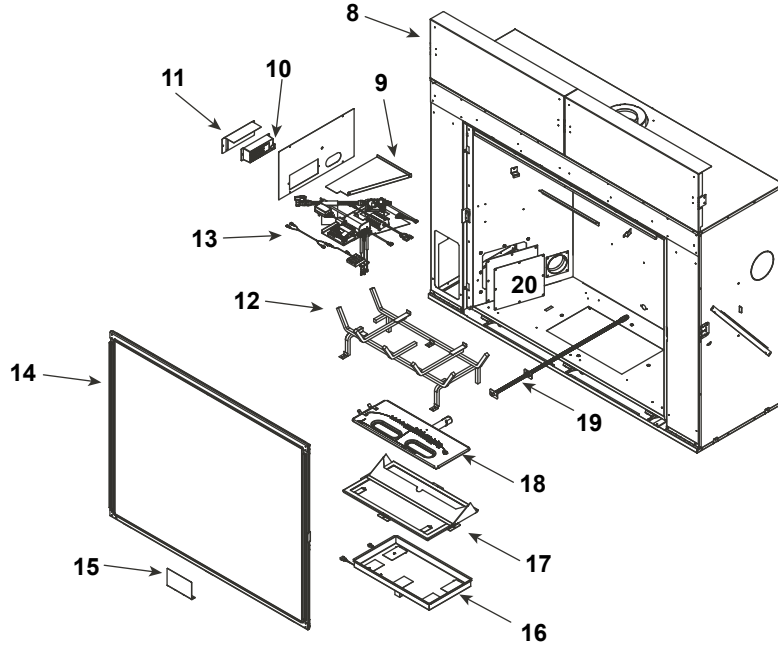
Service Parts

MARQ36IN

Marquis 36" Gas Fireplace - DV

Beginning Manufacturing Date: Oct 2016
Ending Manufacturing Date: Feb 2019

Log Set Assembly



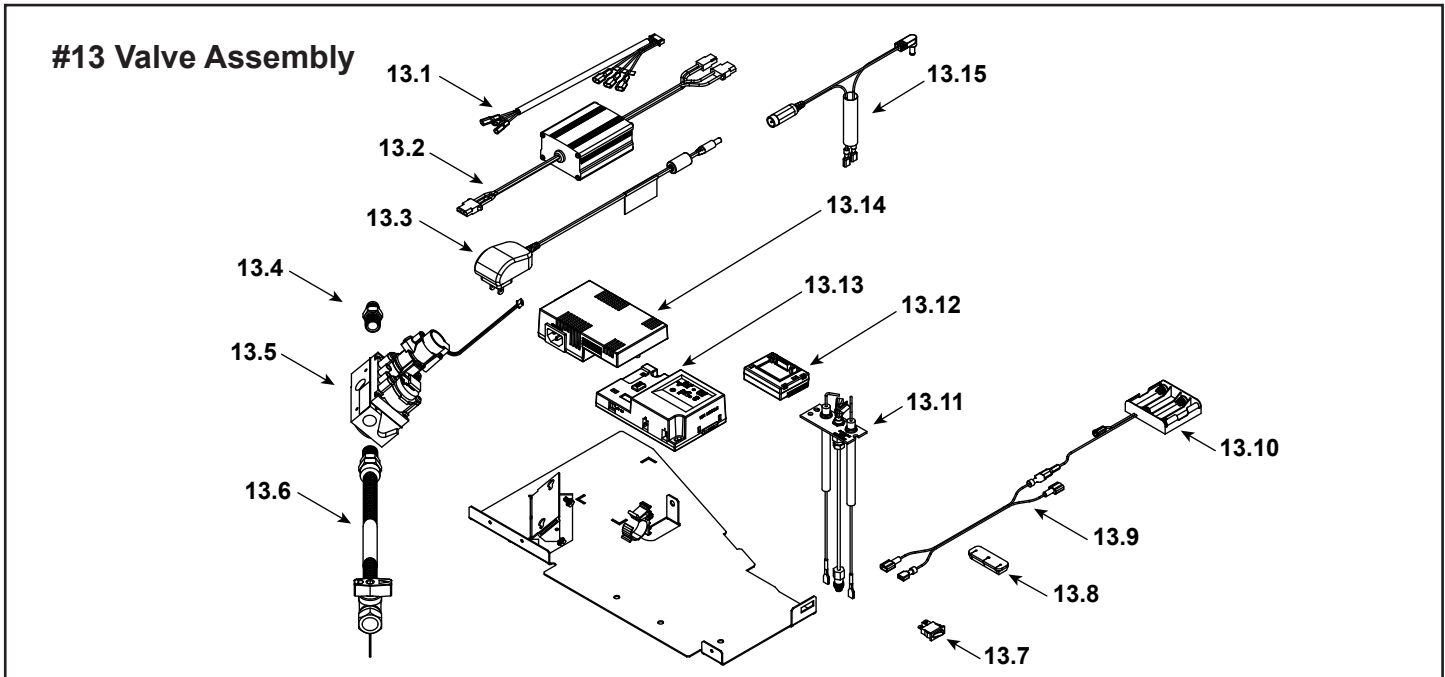
IMPORTANT: THIS IS DATED INFORMATION. Parts must be ordered from a dealer or distributor. **Hearth and Home Technologies does not sell directly to consumers.** Provide model number and serial number when requesting service parts from your dealer or distributor.



Stocked at Depot

ITEM	DESCRIPTION	COMMENTS	PART NUMBER	Stocked at Depot
	Log Assembly		LOGSMQ36	Y
1	Log 1		SRV2270-701	
2	Log 2		SRV2270-702	
3	Log 3		SRV2270-703	
4	Log 4		SRV2270-704	
5	Log 5		SRV2270-706	
6	Log 6		SRV2271-705	
7	Log 7		SRV2271-707	
8	Heat Shield, Header	Qty 2 req	2280-105	
9	Heat Shield, Valve		2281-153	
10	Junction box		SRV4021-013	Y
11	J-Box Bracket		2281-154	
12	Grate Assembly		2270-015	
13	Valve Assembly		Refer to Valve Page	
14	Glass Assembly		GLA-2280	
15	Finishing Spacer		2281-113	
16	LED Tub Assembly		2270-027	
17	Inner Glass Frame Assembly		2280-019	
18	Burner Assembly		2270-007	Y
19	Orifice Bracket Flex		2012-008	Y
20	Access Plate		2281-117	

Additional service parts on following page.



IMPORTANT: THIS IS DATED INFORMATION. Parts must be ordered from a dealer or distributor. **Hearth and Home Technologies does not sell directly to consumers.** Provide model number and serial number when requesting service parts from your dealer or distributor.



Stocked at Depot

ITEM	DESCRIPTION	COMMENTS	PART NUMBER	Stocked at Depot
13.1	Wire Harness		SRV2326-132	Y
13.2	Led Controller		2166-336	Y
13.3	Power Supply		SRV2326-131	Y
13.4	Male connector	Pkg of 5	303-315/5	Y
13.5	Valve NG		SRV2166-302	Y
	Valve Propane		2166-303	Y
13.6	Flex Ball Valve Assembly. 12"		SRV302-320	Y
13.7	Rocker Switch		SRV2206-299	Y
13.8	Grommet		SRV2118-420	
13.9	Wire, Battery jumps, 10 in		2281-196	Y
13.10	**Battery Pack		SRV2326-134	Y
13.11	Pilot Assembly, NG		2270-012	Y
13.12	Module, RF FCC		SRV2326-120	Y
13.13	Module, Control IFT		SRV2326-130	Y
13.14	Aux Module, B Type		SRV2326-150	Y
13.15	Wall Switch Jumper Wire		SRV2326-135	Y
	Cable, B Type AC Module		2326-152	Y
	Orifice NG (#30C)		582-830	Y
	Orifice Propane (#47C)		582-847	Y

**Fuse for battery pack can be sourced locally, not a warranty item. Specs are 250v, 3A fuse, 3/4" long

