

No one builds a better fire

Beginning Manufacturing Date: June 2009
Ending Manufacturing Date: May 2012

IMPORTANT: THIS IS DATED INFORMATION. Parts must be ordered from a dealer or distributor. **Hearth and Home Technologies does not sell directly to consumers.** Provide model number and serial number when requesting service parts from your dealer or distributor.



**Stocked
at Depot**

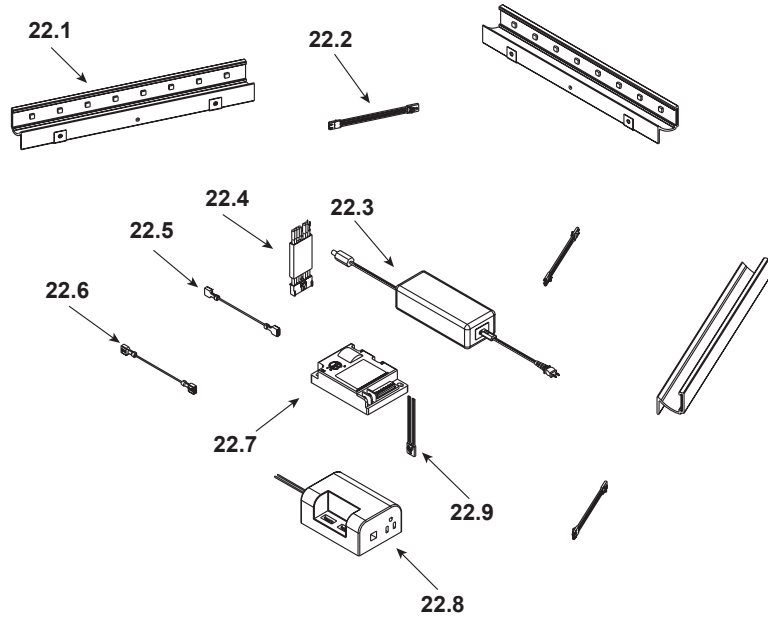
ITEM	DESCRIPTION	COMMENTS	PART NUMBER	
1	Front Shield	No longer available	4051-114	
2	Glass Clip Assembly	Pkg of 2	33858/2	Y
3	Side Glass Latch Assembly	No longer available	4051-003	
4	Pilot Shield	No longer available	4062-120	
5	Reflector Panel, Right	No longer available	4062-112	
6	Reflector Panel, Back	No longer available	4062-114	
7	Reflector Panel, Left	No longer available	4062-113	
8	Refractory	No longer available	4062-201	
	Touch Up Paint, Refractory	No longer available	4021-687	
9	Light Glass Assembly	No longer available	4062-011	
10	Reflector Bottom Bracket	No longer available	4062-118	
11	Light Box Frame Assembly	No longer available	4062-012	
12	Tube Cover	Qty 2 req	4062-142	
13	Hearth Pan Wing	No longer available	4062-124	
14	Glass Frame Assembly	No longer available	SRV4062-017	
15	Hearth Pan	No longer available	4062-102	
16	Tube Cover Back	No longer available	4062-144	
17	Log Tube Assembly		4062-010	Y
18	Junction Box Radiation Shield	No Longer Available	4047-128	
19	Junction Box		SRV4021-013	Y
20	Junction Box Cover Plate		SRV4031-222	
21	Intake Collar Assembly	No longer available	4002-002	
	Non-combustible Board	No longer available	4062-128	
	Touch Up Paint for black painted parts only		SRV4021-110	
	Transmitter	No longer available	4021-675	
	Solenoid		HTI-17-006	Y
	Conversion Kit NG	No longer available	NGK-LUX60	
	Conversion Kit LP	No longer available	LPK-LUX60	
	Actuator Pin		HTI-17-116	Y
	Pilot Orifice, NG		SRV593-528	Y
	Pilot Orifice, LP		SRV593-527	Y
	Regulator NG		SRVNGK-DXV	Y
	Regulator LP		SRVLPK-DXV	Y

Additional Service Parts on following page.

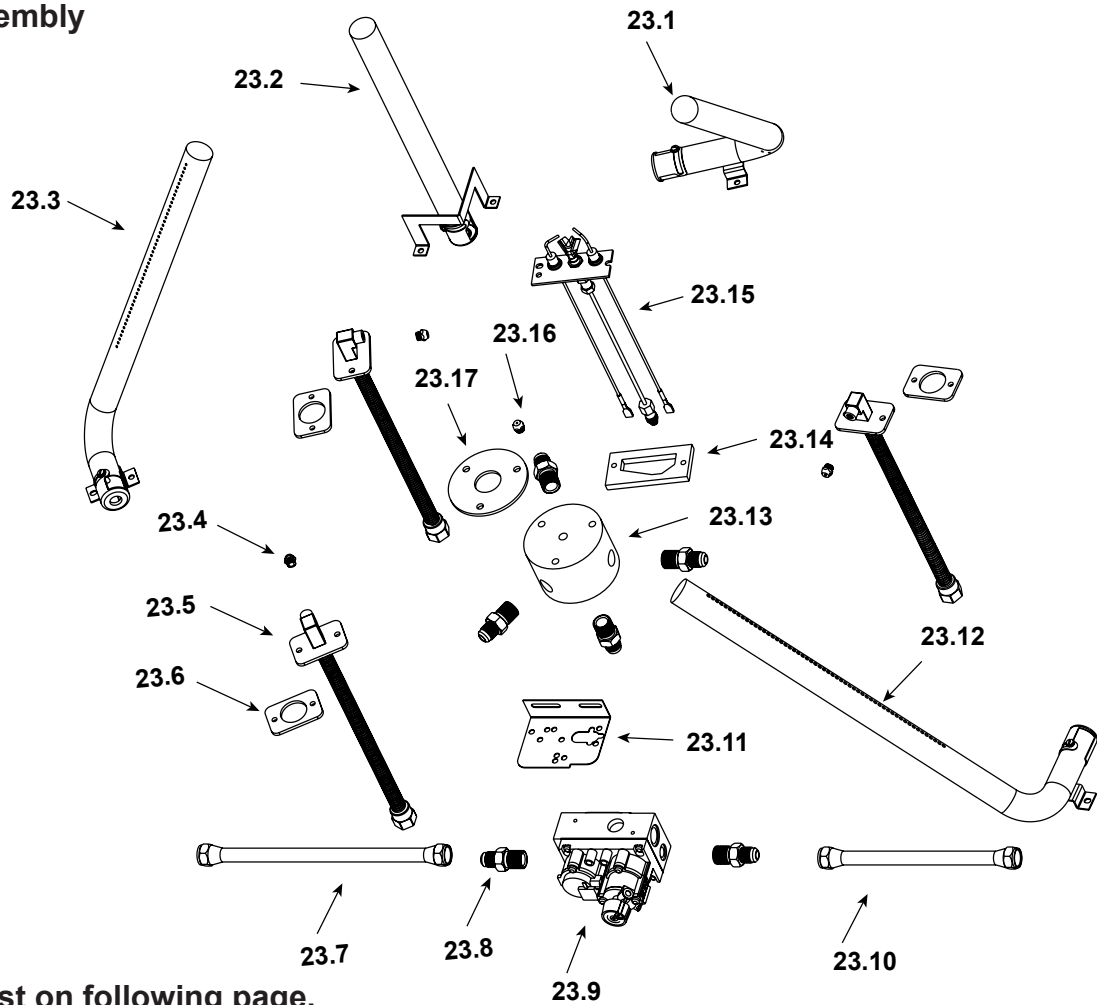
No one builds a better fire

Beginning Manufacturing Date: June 2009
Ending Manufacturing Date: May 2012

#22 Light Assembly



#23 Valve Assembly



Part number list on following page.

No one builds a better fire

Beginning Manufacturing Date: June 2009
Ending Manufacturing Date: May 2012

IMPORTANT: THIS IS DATED INFORMATION. Parts must be ordered from a dealer or distributor. **Hearth and Home Technologies does not sell directly to consumers.** Provide model number and serial number when requesting service parts from your dealer or distributor.



Stocked
at Depot

ITEM	DESCRIPTION	COMMENTS	PART NUMBER	
22.1	Light Strip	No Longer Available	4021-664	
22.2	Light Wire Assembly	No longer available	4021-669	
22.3	12V DC/6A Power Supply	No longer available	4021-676	
22.4	Wire Assembly		SRV593-590	Y
22.5	White Wire Assembly FF 24 in	No longer available	4021-672	
22.6	Black Wire Assembly MF 18 in	No longer available	4021-673	
22.7	Module		SRV593-592	Y
22.8	Control Module	No longer available	4021-674	
22.9	Wire Assembly	No longer available	4021-670	
Valve Assembly				
23.1	Burner Tube, Back	No longer available	4062-156	
23.2	Burner Tube Assembly, Center	No longer available	4062-157	
23.3	Burner Tube, Left		4062-155	Y
23.4	Orifice NG (#44C)	Qty 3 req	582-844	Y
	Orifice LP (#56C)	Qty 3 req	582-856	Y
23.5	Bulkhead	Qty 3 req	SRV7000-156	Y
23.6	Bulkhead, Gasket	Qty 3 req	4021-429	
23.7	Flex Tube, Stainless 22 in		7000-197	Y
23.8	Male Connector	Pkg of 5	303-315/5	Y
23.9	Valve NG		750-500	Y
	Valve LP		750-501	Y
23.10	Flex Gas Line, 10 in		SRV302-320	Y
23.11	Valve Bracket		SRV31824	
23.12	Burner Tube, Right		4062-154	Y
23.13	Manifold	No longer available	SRV4062-160	
23.14	Pilot Gasket		4021-042	
23.15	Pilot Assembly NG		SRV2090-012	Y
	Pilot Assembly LP		2090-013	Y
23.16	Orifice NG (#53C)		582-853	Y
	Orifice LP (#72C)	No longer available	4021-681	
23.17	Manifold Gasket	No longer available	4062-161	

Additional Service Parts on following page.

No one builds a better fire

Beginning Manufacturing Date: June 2009
Ending Manufacturing Date: May 2012

IMPORTANT: THIS IS DATED INFORMATION. Parts must be ordered from a dealer or distributor. **Hearth and Home Technologies does not sell directly to consumers.** Provide model number and serial number when requesting service parts from your dealer or distributor.



**Stocked
at Depot**

ITEM	DESCRIPTION	COMMENTS	PART NUMBER	
#24 SSF-LUX60-BK		#25 SPL-LUX60-BK & SPL-LUX60-BKN		

SSF-LUX60-BK		No longer available		
24.1	Surround Weld Assemnly	No longer available	4062-204	
24.2	Inside Surround	No longer available	4062-206	
24.3	Bolts pkg of 4	No longer available	4021-643/4	
24.4	Screen Assembly. 42 in.	No longer available	4062-006	
	Screws	Pkg of 12	31116/12	Y
SPL-LUX60-BK (touch up paint not available)				
25.1	Face Plate Left	No longer available	4062-172	
25.2	Face Plate Right	No longer available	4062-176	
SPL-LUX60-BKN (touch up paint not available)				
25.1	Face Plate Left	No longer available	4062-171	
25.2	Face Plate Right	No longer available	4062-175	
	Template, Surrounds	No longer available	LUX60-TMPLT	
	Screws	Pkg of 40	12460/40	Y