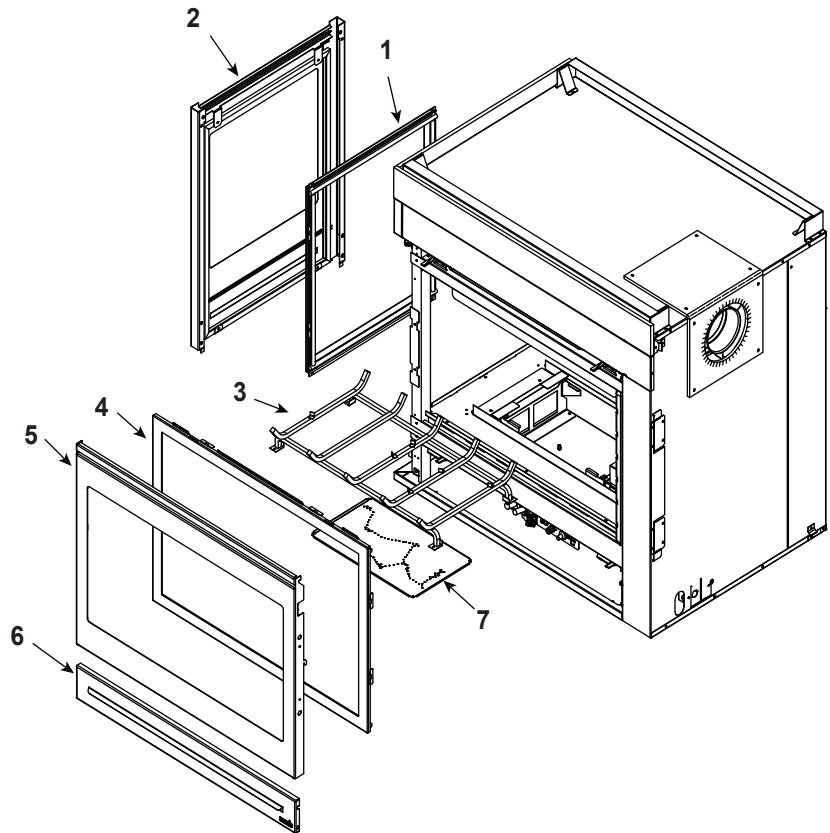


### Log Set Assembly



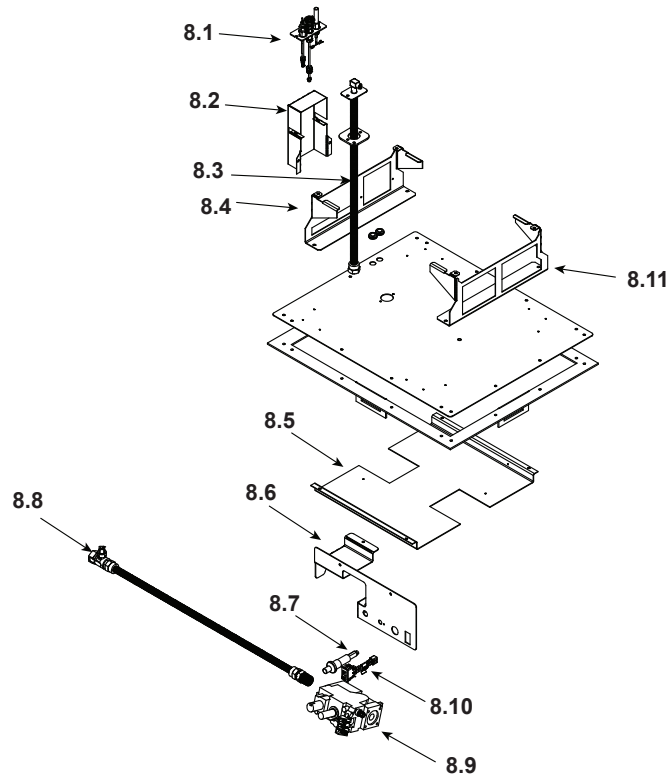
**IMPORTANT: THIS IS DATED INFORMATION.** Parts must be ordered from a dealer or distributor. **Hearth and Home Technologies does not sell directly to consumers.** Provide model number and serial number when requesting service parts from your dealer or distributor.

ITEM	DESCRIPTION	COMMENTS	PART NUMBER
	Log Set Assembly		LOGS-ST-CE
1	Glass Assembly (End)		GLA-MS
2	End Panel Assembly		2069-042
3	Grate Assembly		SRV2068-020
4	Glass Assembly (Side)		GLA-6TROC
5	Dress Guard Assembly		2068-040
6	Lower Door		2068-041
7	Burner N		2068-011
	Burner P & B		2068-013
	Hood, Side, Black		SRV2005-190
	Hood, End, Black		SRV2006-194
	Mesh Assembly (End)		561-330A
	Mesh Assembly (Side)		537-300
	Non-combustible Board (Side)		2006-136
	Refractory (Side)		SRV2005-730
	Refractory (End)		SRV2005-731

No one builds a better fire

Beginning Manufacturing Date: June 2004  
Ending Manufacturing Date: May 2014

### #8 Valve Assembly



**IMPORTANT: THIS IS DATED INFORMATION.** Parts must be ordered from a dealer or distributor. **Hearth and Home Technologies does not sell directly to consumers.** Provide model number and serial number when requesting service parts from your dealer or distributor.

ITEM	DESCRIPTION	COMMENTS	PART NUMBER
8.1	Pilot Assembly N	No longer available	529-550A
	Pilot Assembly P	No longer available	529-551A
8.2	Pilot Bracket	No longer available	2068-114
8.3	Flexible Gas Connector		530-302A
8.4	Burner Leg, Pilot Support	No longer available	2068-112
8.5	Universal Bracket	No longer available	2068-111
8.6	Valve Bracket	No longer available	2068-115
8.7	Piezo Ignitor		291-513
8.8	Flex Ball Valve Assembly		302-330A
8.9	Valve N	No longer available	060-524
	Valve P	No longer available	060-526
8.10	On/ Off Wire Assembly		060-521A
8.11	Burner Leg	No longer available	2068-113
	20" Wire Harness		107-559A
	Orifice N (#33DMS)		582-833
	Orifice P (#51DMS)		SRV582-851
	Orifice B (#53DMS)		582-853

Additional service part numbers appear on following page.

