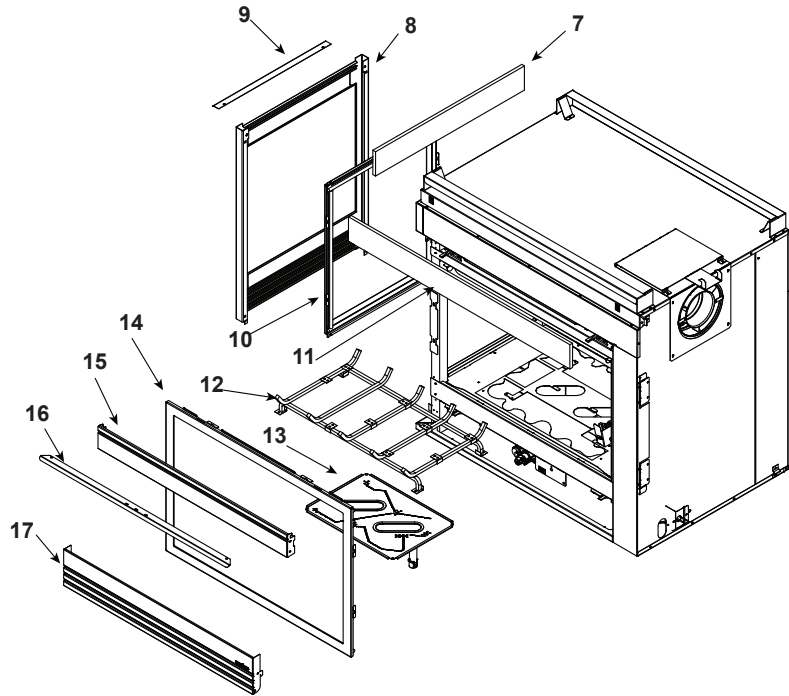


Log Set Assembly



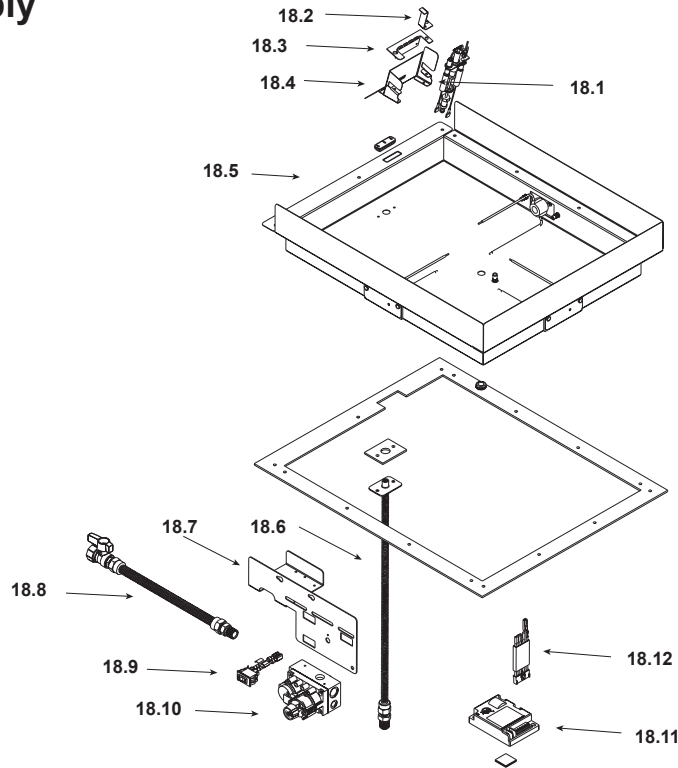
IMPORTANT: THIS IS DATED INFORMATION. Parts must be ordered from a dealer or distributor. **Hearth and Home Technologies does not sell directly to consumers.** Provide model number and serial number when requesting service parts from your dealer or distributor.



Stocked at Depot

ITEM	DESCRIPTION	COMMENTS	PART NUMBER	
	Log Set Assembly		LOGS-MSB	Y
1	Log 1	No longer available, Must order complete assembly	SRV2039-701	
2	Log 2		SRV2039-703	
3	Log 3		SRV2039-700	
4	Log 4		SRV2039-702	
5	Log 5		SRV2039-705	
6	Log 6		SRV2039-704	
7	Non-combustible board -End	No longer available	2008-114	
8	Louvers with Mesh -End Panel	No longer available	MS-LOUVERS-EP	
9	Hood End, black		SRV2006-194	
10	Glass Door Assembly -End		GLA-MS	Y
11	Non-combustible board -Side		2006-136	
12	Grate Assembly	No longer available	2039-012	
13	Burner NG, LP	Metal	2039-006	Y
	Burner for LOGS-Upgrade	Fiber	2005-006	Y
14	Glass Door Assembly -Side		GLA-6TROC	Y
15	Louver, Top	No longer available	SRV2040-005-BK	
16	Hood Side, Black		SRV2005-190	
17	Louver, Bottom	No longer available	SRV2040-004-BK	

#18 Valve Assembly



IMPORTANT: THIS IS DATED INFORMATION. Parts must be ordered from a dealer or distributor. **Hearth and Home Technologies does not sell directly to consumers.** Provide model number and serial number when requesting service parts from your dealer or distributor.



**Stocked
at Depot**

ITEM	DESCRIPTION	COMMENTS	PART NUMBER	
18.1	Pilot Assembly NG		SRV4021-730	Y
	Pilot Assembly LP		SRV4021-731	Y
	Pilot Tube		SRV446-301	Y
18.2	Ground Strap	No longer available	385-512	
18.3	Pilot Support Arm		385-120	
18.4	Pilot Bracket	No longer available	2005-118	
18.5	Ember Box Assembly		SRV2005-114	Y
18.6	Flexible Gas Connector		2005-009	Y
18.7	Valve Bracket	No longer available	2005-120	
18.8	Flex Ball Valve Assembly		SRV302-320	Y
18.9	On/Off Switch Assembly		060-521A	Y
18.10	Valve NG		750-500	Y
	Valve LP		750-501	Y
18.11	Module		SRV593-592	Y
18.12	Module Wire Assembly		SRV593-590	Y

Additional service part numbers appear on following page.

