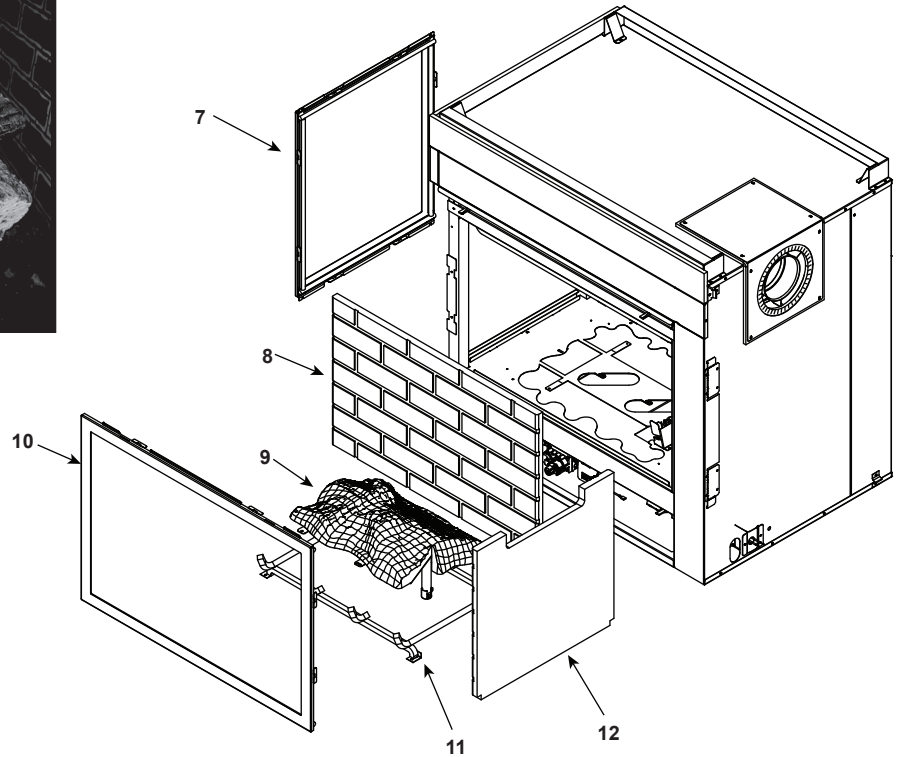
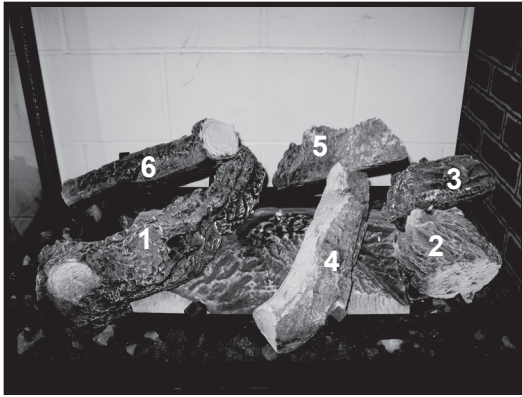


Log Set Assembly



IMPORTANT: THIS IS DATED INFORMATION. Parts must be ordered from a dealer or distributor. **Hearth and Home Technologies does not sell directly to consumers.** Provide model number and serial number when requesting service parts from your dealer or distributor.



Stocked at Depot

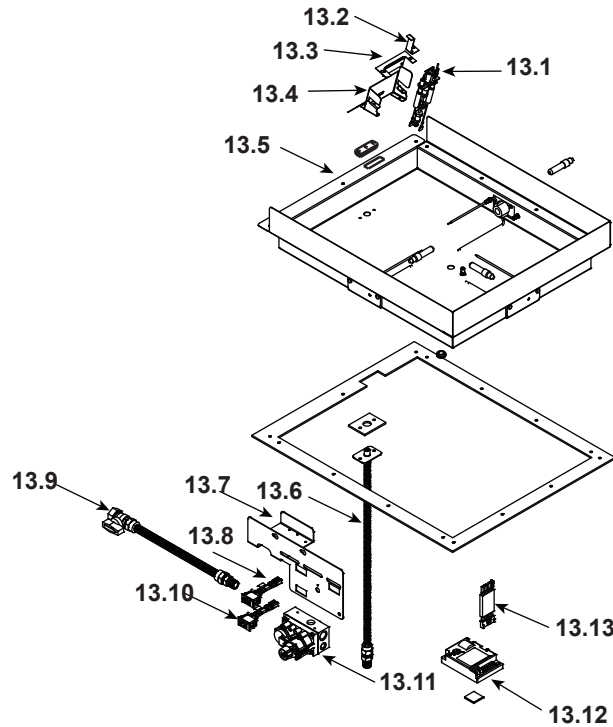
ITEM	DESCRIPTION	COMMENTS	PART NUMBER	
	Log Set Assembly / Burner	Pre SN # 0021355700	SRV2005-006	Y
	Log Set Assembly	Post SN #0021355700	LOGS-MSR	Y
1	Log 1	No longer available, Must order complete assembly	SRV2005-701	
2	Log 2		SRV2005-700	
3	Log 3		SRV2005-702	
4	Log 4		SRV2005-703	
5	Log 5		SRV2005-704	
6	Log 6		SRV2005-705	
7	End Glass Assembly		GLA-MS	Y
8	Refractory		SRV2005-731	
9	Log Set Assembly / Burner	Pre SN # 0021355700	SRV2005-006	Y
	Burner NG, LP	Post SN #0021355700	2005-006	Y
10	Glass Door Assembly		GLA-6TROC	Y
11	Grate Assembly		SRV2005-012	
12	Refractory		SRV2005-730	

No one builds a better fire

Beginning Manufacturing Date: Aug 2003

Ending Manufacturing Date: Dec 2008

#13 Valve Assembly



IMPORTANT: THIS IS DATED INFORMATION. Parts must be ordered from a dealer or distributor. **Hearth and Home Technologies does not sell directly to consumers.** Provide model number and serial number when requesting service parts from your dealer or distributor.



Stocked at Depot

ITEM	DESCRIPTION	COMMENTS	PART NUMBER	
13.1	Pilot Assembly NG		SRV4021-730	Y
	Pilot Assembly LP		SRV4021-731	Y
	Pilot Tube		SRV446-301	Y
13.2	Ground Strap	No longer available	385-512	
13.3	Pilot Assembly Support		385-120	
13.4	Pilot Bracket	No longer available	2005-118	
13.5	Ember Box Assembly		SRV2005-114	Y
13.6	Flexible Gas Connector		2005-009	Y
13.7	Valve Bracket	No longer available	2005-120	
13.8	On/Off, Switch		SRV3D0232	Y
13.9	Flex Ball Valve Assembly		SRV302-320	Y
13.10	On/Off Wire Assembly		060-521A	Y
13.11	Valve NG		750-500	Y
	Valve LP		750-501	Y
13.12	Module		SRV593-592	Y
13.13	Module Wire Assembly		SRV593-590	Y
	Orifice NG (#32)		SRV582-832	Y
	Orifice LP (#50)		582-850	Y

Additional service part numbers appear on following page.

