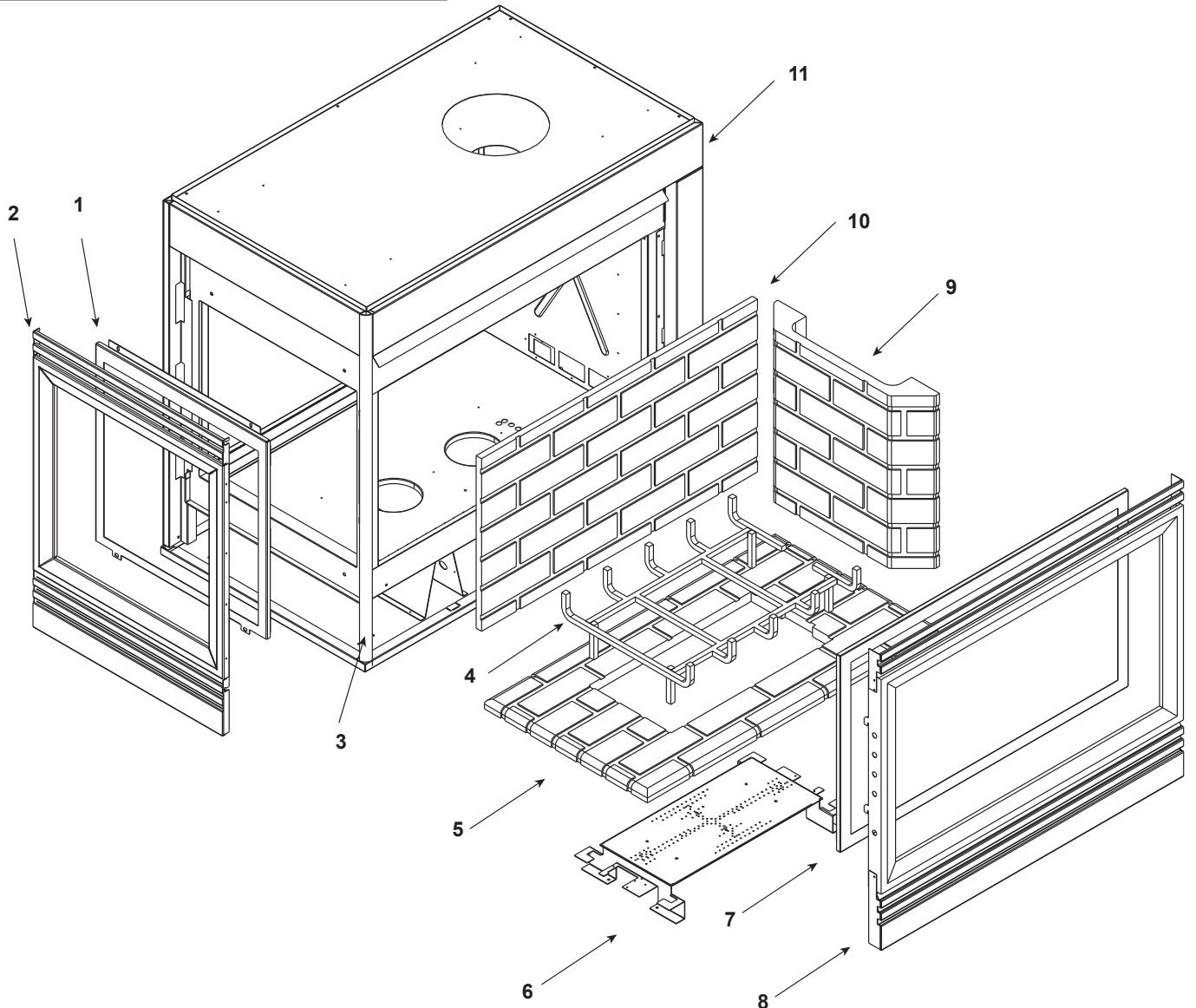
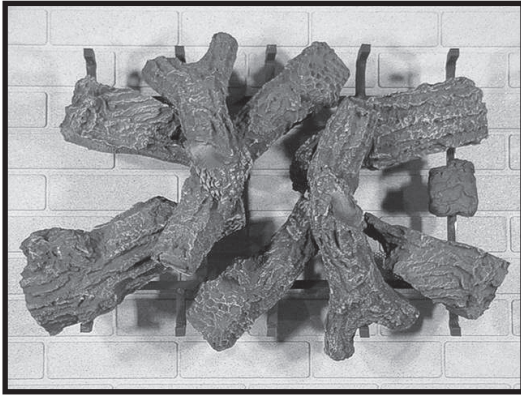


## Log Set Assembly



Part number list on following page.



**Service Parts L-COR-TRC, L-COR-TRC-DSI, L-COR-IPI**

No one builds a better fire

Beginning Manufacturing Date: June 1997  
 DSI Ending Manufacturing Date: Aug 2002  
 SP & IPI Ending Manufacturing Date: Sept 2003

IMPORTANT: THIS IS DATED INFORMATION. Parts must be ordered from a dealer or distributor. **Hearth and Home Technologies does not sell directly to consumers.** Provide model number and serial number when requesting service parts from your dealer or distributor.



**Stocked at Depot**

ITEM	DESCRIPTION	COMMENTS	PART NUMBER	
	Log Set Assembly NG	Pre 3102	LOGS-PTRC	Y
		Post 3102	LOGS-MS	Y
	Log Set Assembly LP	Pre 1473	LOGS-PTRC	Y
		Post 1473	LOGS-MS	Y
1	Glass Door Assembly, End	No longer available	GLA-PTRC-E	
2	Decorative Front End	No longer available	DF-PTRCE	
3	Exrusion with Holes	No longer available	464-343	
4	Grate Assembly	No longer available	674-364	
5	Base Refractory	No longer available	SRV504-738-UM	
6	Burner NG	Pre 2920	SRV501-176A	Y
		2920 to 3102	501-173A	Y
		Post 3102	501-272A	Y
	Burner LP	Pre 1439	SRV501-175A	Y
		1439 to 1473	501-172A	Y
		Post 1473	501-273A	Y
7	Glass Door Assembly NG	No longer available	GLA-PTRC	
		Post 1957	GLA-PIER	Y
	Glass Door Assembly LP	No longer available	GLA-PTRC	
		Post 1232	GLA-PIER	Y
8	Decorative Front	No longer available	DF-36H	
9	Refractory End	No longer available	SRV504-737-UM	
10	Refractory Back	No longer available	SRV504-736-UM	
11	Surround Side left	No longer available	501-232	
	Burner Orifice NG (#30B)	Pre 3102	064-800	Y
	Burner Orifice NG (32B)	No longer available	573-800	
	Burner Orifice LP (#49B)	Pre 1473	047-801	Y
	Burner Orifice LP (1.8MM B)	No longer available	501-801	
	Burner Tube	No longer available	SRV501-302	
	Remote		SMART-STAT-HHT	
	Flex Ball Valve Assembly		SRV302-320	Y
	Glass Clip	No longer available	501-135	
	Junction Box	Standing Pilot & IPI	100-250A	Y
		No longer available	100-254A	
	On/Off, Switch		SRV32D0232	Y
	Fan Kit		GFK160A	
	Touch Up Paint		TUP-GBK-12	

Valve assembly components on following page



**Service Parts L-COR-TRC, L-COR-TRC-DSI, L-COR-IPI**

No one builds a better fire

Beginning Manufacturing Date: June 1997  
 DSI Ending Manufacturing Date: Aug 2002  
 SP & IPI Ending Manufacturing Date: Sept 2003

IMPORTANT: THIS IS DATED INFORMATION. Parts must be ordered from a dealer or distributor. **Hearth and Home Technologies does not sell directly to consumers.** Provide model number and serial number when requesting service parts from your dealer or distributor.



**Stocked at Depot**

ITEM	DESCRIPTION	COMMENTS	PART NUMBER	
<b>Standing Pilot Ignition</b>				
	Piezo Ignitor		291-513	Y
	Pilot Assembly NG		4021-736	Y
	Pilot Assembly LP		4021-737	Y
	Thermopile		2103-512	Y
	Thermocouple		446-511	Y
	Pilot Tube		SRV485-301	Y
	Valve NG		060-522	Y
	Valve LP		060-523	Y
	Conversion Kit NG	No longer available	NGK-PTRD	
		No longer available	NGK-PTRCMS	
	Conversion Kit LP	No longer available	LPK-PTRD	
		No longer available	LPK-PTRCMS	
	Pilot Orifice NG		SRV446-505	Y
	Pilot Orifice LP		SRV446-517	Y
	Regulator NG		SRV060-518	Y
	Regulator LP		060-519	Y
<b>DSI Igniton</b>				
	Electrode		501-591	Y
	Module	No longer available	501-592	
	Valve NG		492-500	Y
	Valve LP	No longer available	492-501	
<b>IPI Igniton</b>				
	Battery Pack		SRV593-594	Y
	Module Wire Assembly		SRV593-590	Y
	Module		SRV593-592	Y
	Pilot Assembly NG		SRV4021-730	Y
	Pilot Assembly LP		SRV4021-731	Y
	Thermopile		2103-512	Y
	Thermocouple		446-511	Y
	Pilot Tube		SRV485-301	Y
	Sv Plug		SRV593-593	Y
	Valve NG		750-500	Y
	Valve LP		750-501	Y
	Conversion Kit NG		N/A	
	Conversion Kit LP	No longer available	LPK-MS-IPI	
	Pilot Orifice NG		SRV446-505	Y
	Pilot Orifice LP		SRV446-517	Y
	Regulator NG		SRVNGK-DXV	Y
	Regulator LP		SRVLPK-DXV	Y