

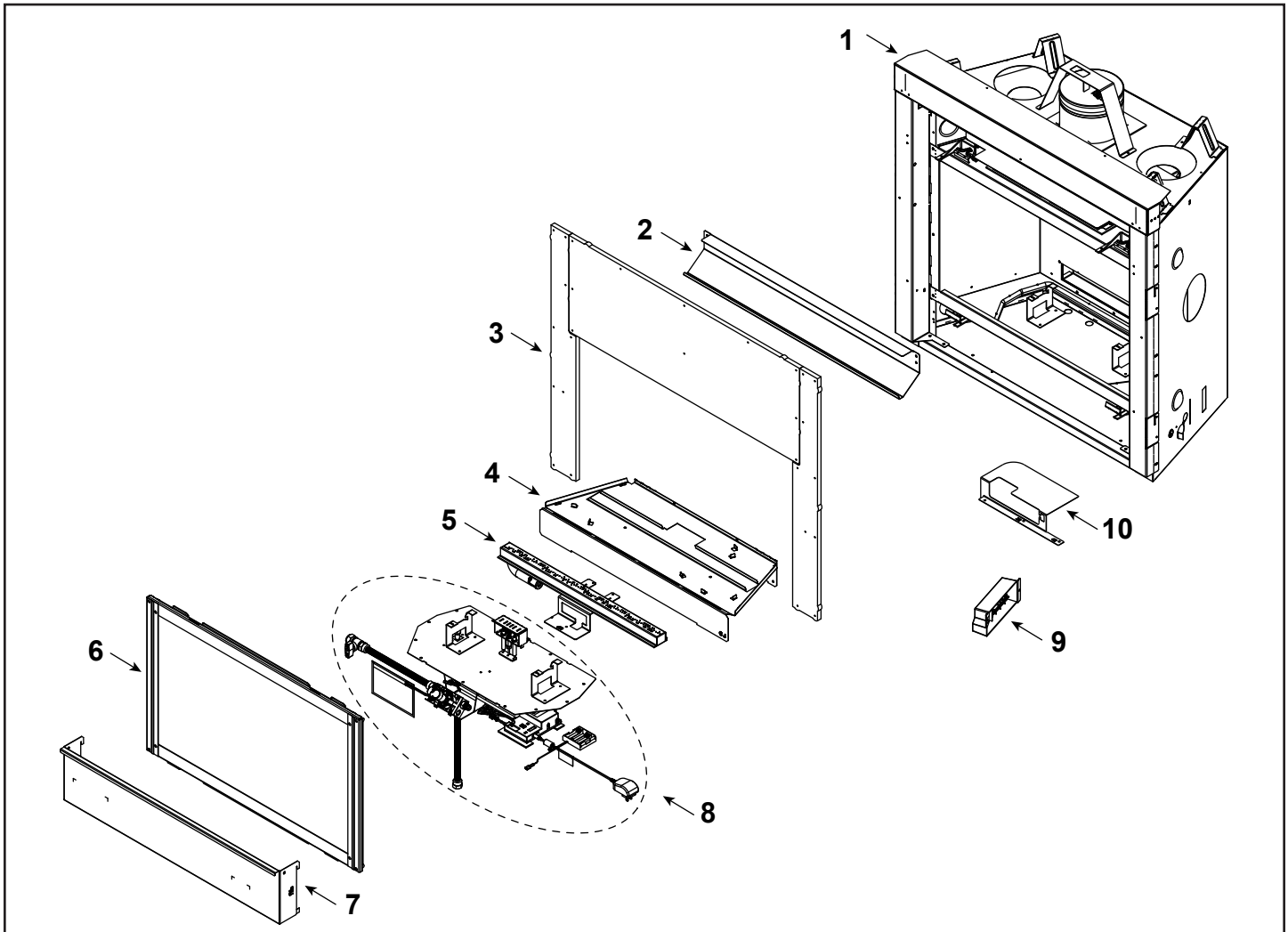


Service Parts

JADE32IN-B

32" Gas Fireplace - DV

Beginning Manufacturing Date: Oct 2019
Ending Manufacturing Date: Active



IMPORTANT: THIS IS DATED INFORMATION. Parts must be ordered from a dealer or distributor. **Hearth and Home Technologies does not sell directly to consumers.** Provide model number and serial number when requesting service parts from your dealer or distributor.



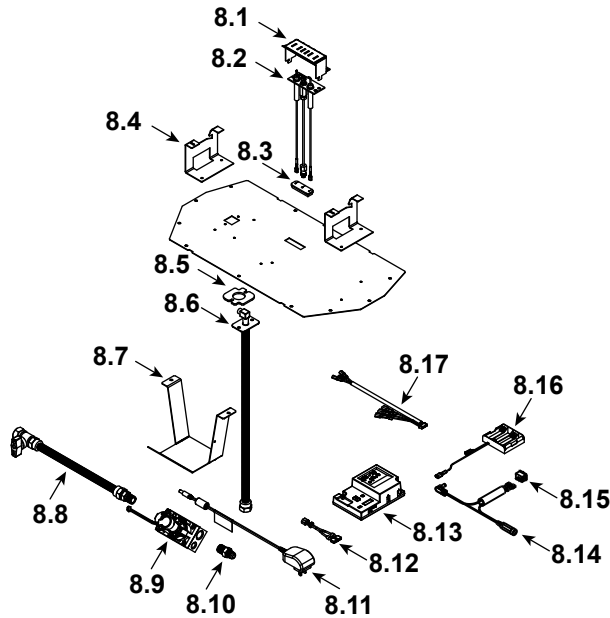
Stocked at depot

ITEM	DESCRIPTION	COMMENTS	PART NUMBER	
1	Non-Combustible Support		2492-104	
2	Top Fill		2492-135	
3	Non-Combustible Assembly		2492-079	
4	Base Pan		2492-111	
5	Burner Assembly		2492-007	Y
6	Glass Door Assembly		GLA-32MAJ	Y
7	Lower Panel		2616-104	
8	Valve Assembly		Refer to Valve Page	
9	Junction box		SRV4021-013	Y
10	Heat Shield, Components		2493-129	

Additional service part numbers appear on following page.



#8 Valve Assembly



IMPORTANT: THIS IS DATED INFORMATION. Parts must be ordered from a dealer or distributor. **Hearth and Home Technologies does not sell directly to consumers.** Provide model number and serial number when requesting service parts from your dealer or distributor.



Stocked at Depot

ITEM	DESCRIPTION	COMMENTS	PART NUMBER	
8.1	Pilot Shield		2491-123	
8.2	Pilot Assembly NG		2106-169	Y
	Pilot Assembly Propane		2106-170	Y
8.3	Grommet		SRV2118-420	
8.4	Burner Support, Left and Right	1 Set	2491-169	
8.5	Gasket		2025-407	
8.6	Bulkhead W/Flex Tube		4021-428	Y
8.7	Valve Bracket		2491-153	
8.8	Flex Ball Valve Assembly, 12"		SRV302-320	Y
8.9	Valve NG		SRV2166-302	Y
	Valve Propane		2166-303	Y
8.10	Male Connector	Pkg of 5	303-315/5	Y
8.11	Transformer, 6 Volt Wall		SRV2326-131	Y
8.12	Jumper Wire		SRV2187-198	Y
8.13	Module, Control IFT		SRV2326-130	Y
8.14	Reset Switch Wire	Propane Only	2550-135	Y
8.15	Reset Switch	Propane Only	2206-298	Y
8.16	Battery Holder 4AA, IFT		SRV2326-134	Y
8.17	Harness, IFT 6 Pin Wiring		SRV2326-132	Y
	Orifice NG (#45C)		SRV582-845	Y
	Orifice Propane (1.25C)		582-8125	Y

Additional service part numbers appear on following page.

