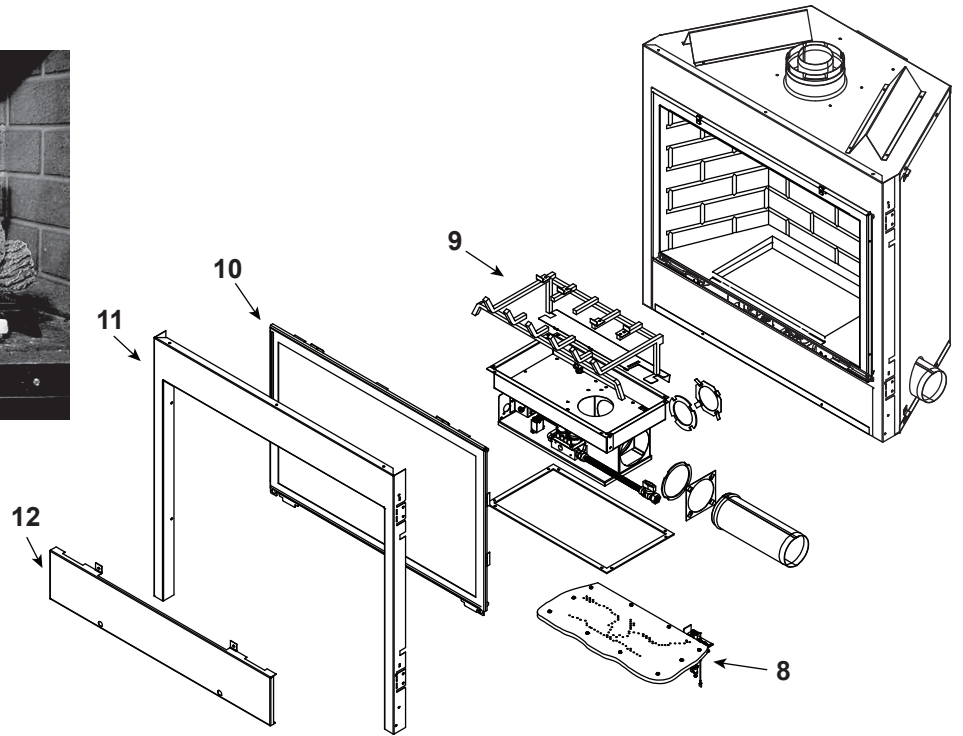


No one builds a better fire

36" Gas Fireplace - Draft Assisted

Beginning Manufacturing Date: Dec 2002
Ending Manufacturing Date: Aug 2009

Log Set Assembly



IMPORTANT: THIS IS DATED INFORMATION. Parts must be ordered from a dealer or distributor. **Hearth and Home Technologies does not sell directly to consumers.** Provide model number and serial number when requesting service parts from your dealer or distributor.



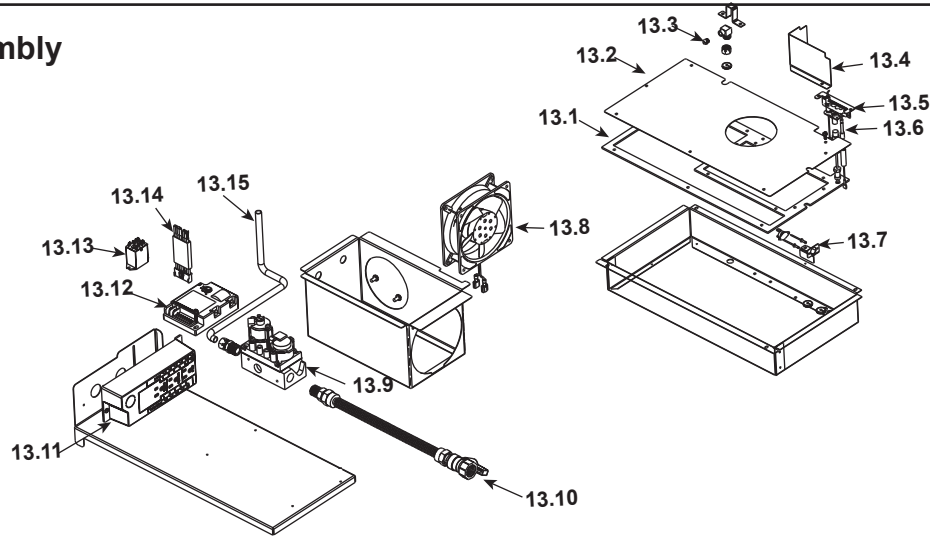
Stocked at Depot

ITEM	DESCRIPTION	COMMENTS	PART NUMBER	
	Log Set Assembly		LOGS-INFINITY	Y
1	Log 1	No longer available, Must order complete assembly	SRV2003-702	
2	Log 2		SRV2003-701	
3	Log 3		SRV2003-704	
4	Log 4		SRV2003-703	
5	Log 5		SRV2003-705	
6	Log 6		SRV2003-706	
7	Log 7		SRV780-707	
8	Burner NG, LP		2003-004	Y
9	Grate Assembly	No longer available	2003-007	
10	Glass Door Assembly		GLA-INFINITY	
11	Surround Upper	No longer available	2003-108	
12	Surround Lower	No longer available	2003-109	
	Baffle	No longer available	2003-138	
	Decorative Front	No longer available	DF-INFINITY	
	Mineral Wool		050-721	
	Patch Kit		SRV-PACK-CFX	
	Paint Touch-up Kit	No longer available	TAN-KIT	
	Vermiculite Embers		MYSTIC-EMBERS	
	Wall Switch Kit (Off white)	No longer available	WSK-21	
	Wall Switch Kit (White)		WSK-21-W	

No one builds a better fire

Beginning Manufacturing Date: Dec 2002
Ending Manufacturing Date: Aug 2009

#13 Valve Assembly



IMPORTANT: THIS IS DATED INFORMATION. Parts must be ordered from a dealer or distributor. **Hearth and Home Technologies does not sell directly to consumers.** Provide model number and serial number when requesting service parts from your dealer or distributor.



**Stocked
at Depot**

ITEM	DESCRIPTION	COMMENTS	PART NUMBER	
13.1	Access Panel Gasket	No longer available	2003-124	
13.2	Access Panel	No longer available	2003-123	
13.3	Orifice NG (#34C)		582-834	Y
	Orifice LP (#50C)		582-850	Y
13.4	Pilot Shield	No longer available	2003-152	
13.5	Pilot Assembly Support	No longer available	2003-142	
13.6	Pilot Assembly NG		SRV4021-730	Y
	Pilot Assembly LP		SRV4021-731	Y
13.7	High Temp Limit Switch		514-530	Y
	Bracket, Limit Switch	No longer available	2003-144	
13.8	Blower Assembly		705-567A	Y
13.9	Valve NG		SRV593-500	Y
	Valve LP		SRV593-501	Y
13.10	Flex Ball Valve Assembly		SRV302-320	Y
13.11	Junction Box		SRV4021-013	Y
13.12	Control Module		SRV593-592	Y
13.13	Relay and Wire Harness Assembly	No longer available	2003-250A	
13.14	Module Wire Assembly		SRV593-590	Y
13.15	Flexible Gas Connector		477-301A	Y
	Transformer		SRV593-593	Y
	Wire Harness 20 in		107-558A	Y
	Conversion Kit NG	No longer available	NGK-INFINITY	
	Conversion Kit LP	No longer available	LPK-INFINITY	
	Pilot Orifice NG		SRV446-505	Y
	Pilot Orifice LP		SRV446-517	Y
	Regulator NG		SRVNGK-DXF	Y
	Regulator LP		SRVLPK-DXF	Y