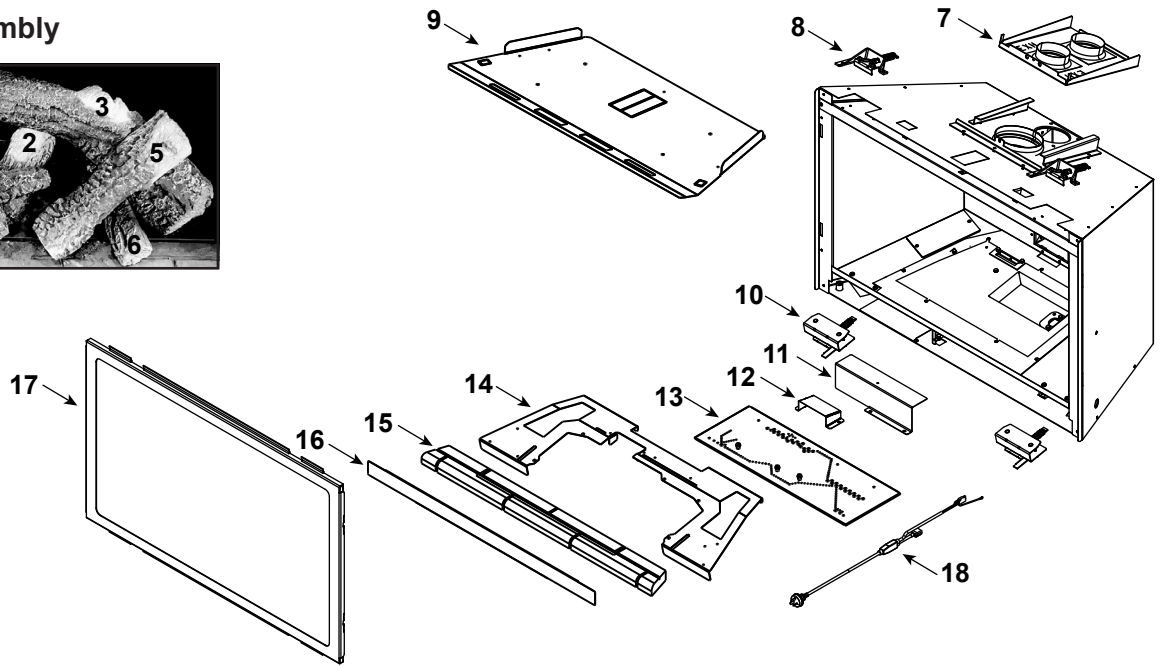
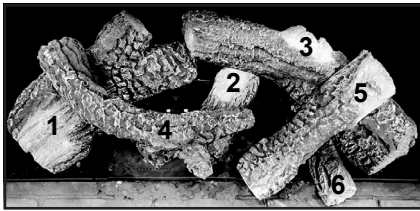


### Log Set Assembly



**IMPORTANT: THIS IS DATED INFORMATION.** Parts must be ordered from a dealer or distributor. **Hearth and Home Technologies does not sell directly to consumers.** Provide model number and serial number when requesting service parts from your dealer or distributor.

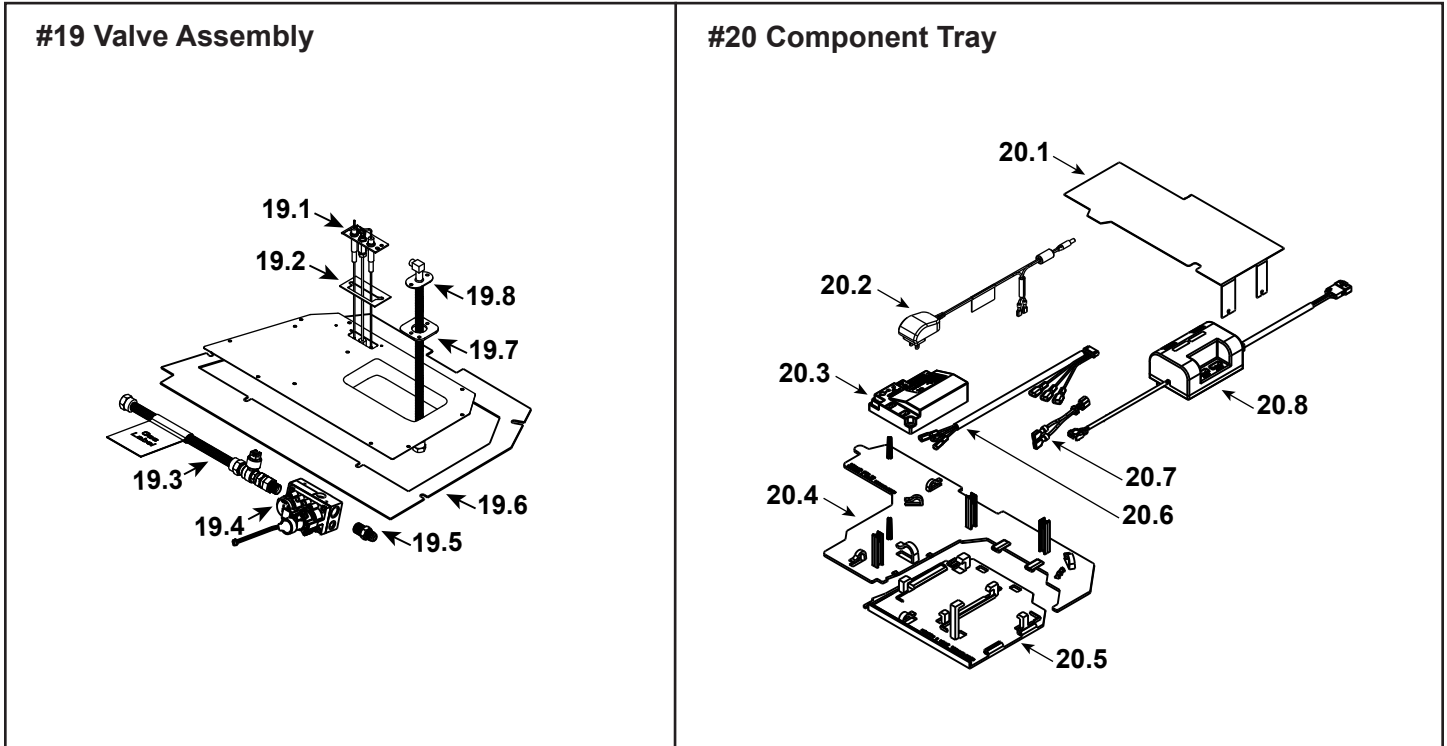


ITEM	DESCRIPTION	COMMENTS	PART NUMBER
	Log Assembly (Hearth Refractory not Included)		LOGS-2533
1	Log 1		SRV2533-711
2	Log 2		SRV2533-712
3	Log 3		SRV2533-713
4	Log 4		SRV2533-714
5	Log 5		SRV2532-715
6	Log 6		SRV2538-715
7	Slide Plate Assembly		2532-014
	Tool, Slide Plate (Multi-purpose)		2532-140
	Gasket		2532-113
8	Glass Clip Assembly, Top	Qty 2 req	2155-046
9	Baffle, Firebox		2533-138
10	Glass Clip Assembly, Bottom	Qty 2 req	2532-009
11	Air Scoop		2532-135
12	Pilot Shield		2532-153
13	Burner Assembly		2533-007
14	Base Pan		2533-130
15	Hearth Refractory (Not for use with BRICK-MI30-TR/BRICK-MI30-HB)		SRV2533-704
16	Seal, Glass Frame		2533-122
17	Glass Door Assembly		GLA-2533
18	Power Cord		2222-374
	Fan		2264-500A

No one builds a better fire

Beginning Manufacturing Date: Feb 2023

End Manufacturing Date: Active



**IMPORTANT: THIS IS DATED INFORMATION.** Parts must be ordered from a dealer or distributor. **Hearth and Home Technologies does not sell directly to consumers.** Provide model number and serial number when requesting service parts from your dealer or distributor.



ITEM	DESCRIPTION	COMMENTS	PART NUMBER
19.1	Pilot Assembly NG		2550-013
	Pilot Assembly Propane		2550-014
19.2	Pilot Gasket		2532-134
19.3	Flex Ball Valve Assembly		2532-081
19.4	Valve NG		SRV2166-302
	Valve Propane		2166-303
19.5	Male Connector	Pkg of 5	303-315/5
19.6	Gasket, Valve Plate		2532-131
19.7	Gasket, Bulkhead		438-407
19.8	Bulkhead w/Flex Tube		SRV7000-156
	Orifice NG (#33C)		582-833
	Orifice Propane (#51C)		SRV582-851
20.1	Component Heat Shield		2541-144
20.2	6 Volt DC Power Adapter		2326-191
20.3	Module, IPI		2166-306
20.4	Wire Tray		2534-171
20.5	Tray, Component		2534-170
20.6	Wire Harness		2166-304
20.7	Jumper Wire		SRV2187-198
20.8	AUX300, CE		2166-340

Additional service part numbers appear on following page.

