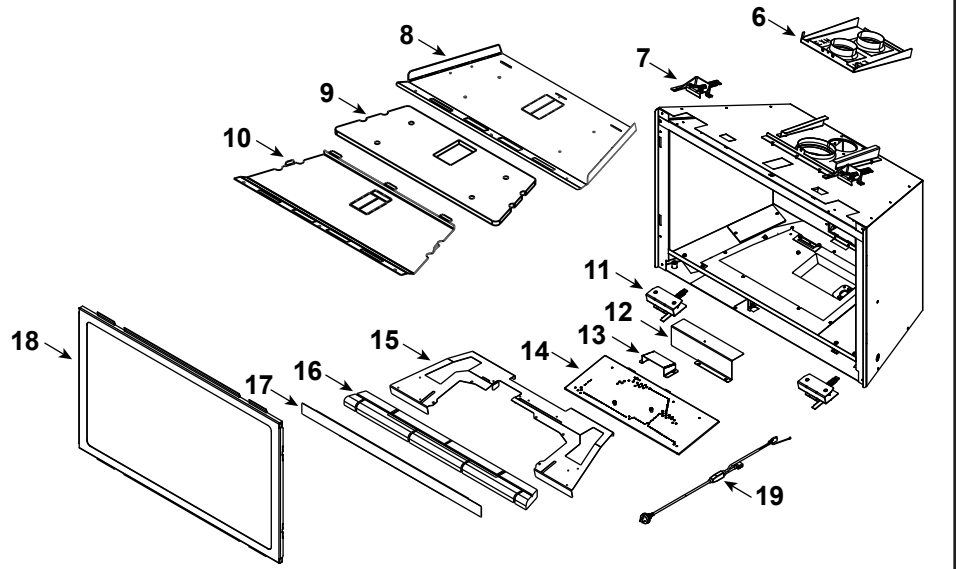
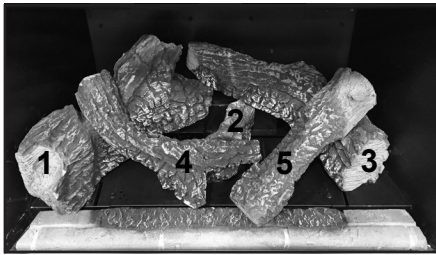


Log Set Assembly



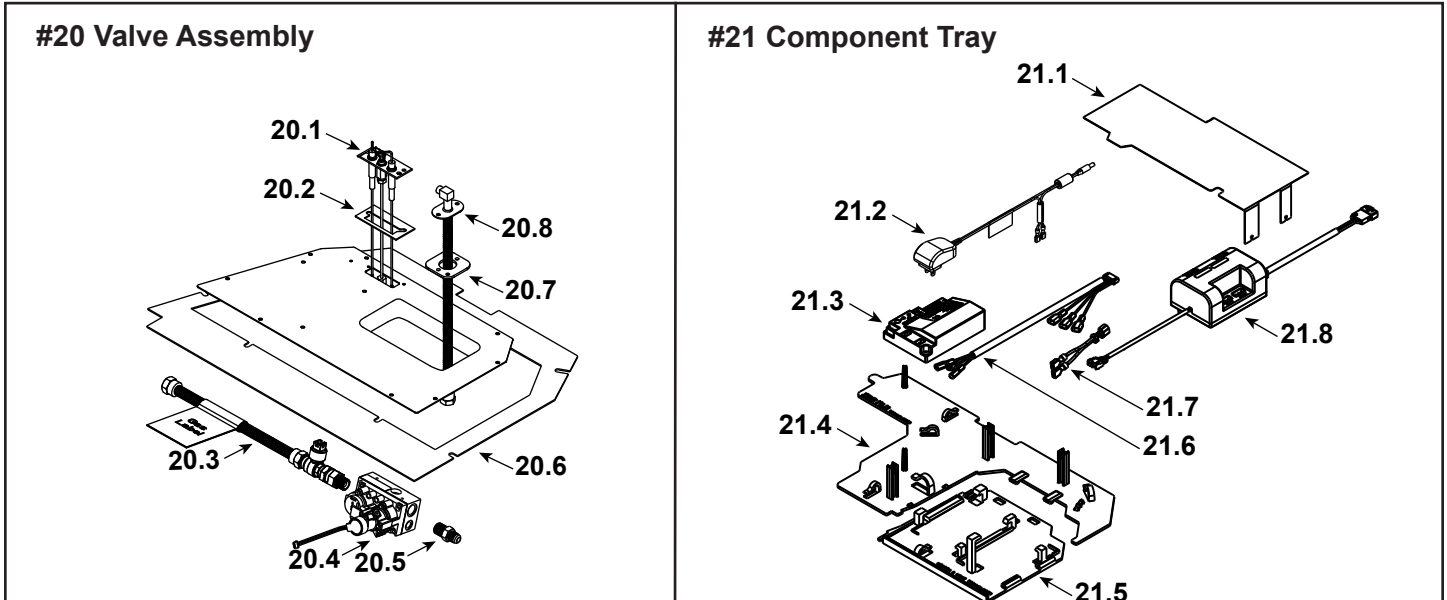
IMPORTANT: THIS IS DATED INFORMATION. Parts must be ordered from a dealer or distributor. **Hearth and Home Technologies does not sell directly to consumers.** Provide model number and serial number when requesting service parts from your dealer or distributor.



ITEM	DESCRIPTION	COMMENTS	PART NUMBER
	Log Assembly (Hearth Refractory not Included)		LOGS-2532
1	Log 1		SRV2532-711
2	Log 2		SRV2532-712
3	Log 3		SRV2532-713
4	Log 4		SRV2532-714
5	Log 5		SRV2532-715
6	Slide Plate Assembly		2532-014
	Tool, Slide Plate (Multi-purpose)		2532-140
	Gasket		2532-113
7	Glass Clip Assembly, Top	Qty 2 req	2155-046
8	Baffle, Firebox		2541-138
9	Insulation, Top Refractory		2541-136
10	Baffle Cover		2541-139
11	Glass Clip Assembly, Bottom	Qty 2 req	2532-009
12	Air Scoop		2532-135
13	Pilot Shield		2532-153
14	Burner Assembly	Butane	2541-006
		NG/Propane	2541-007
15	Base Pan		2532-130
16	Hearth Refractory (Not for use with BRICK-MI30-TR/BRICK-MI30-HB)		SRV2542-704
17	Seal, Glass Frame		2532-122
18	Glass Door Assembly		GLA-2532
19	Power Cord		SRV2222-374
	Blower		2264-500A

Additional service part numbers appear on following page.

No one builds a better fire



IMPORTANT: THIS IS DATED INFORMATION. Parts must be ordered from a dealer or distributor. **Hearth and Home Technologies does not sell directly to consumers.** Provide model number and serial number when requesting service parts from your dealer or distributor.



ITEM	DESCRIPTION	COMMENTS	PART NUMBER
20.1	Pilot Assembly NG		2550-013
	Pilot Assembly Propane		2550-014
20.2	Pilot Gasket		2532-134
20.3	Flex Ball Valve Assembly		2532-081
20.4	Valve NG		SRV2166-302
	Valve Propane		2166-303
20.5	Male Connector	Pkg of 5	303-315/5
20.6	Gasket, Valve Plate		2532-131
20.7	Gasket, Bulkhead		438-407
20.8	Bulkhead w/Flex Tube		SRV7000-156
	Orifice NG (#36C)		582-836
	Orifice Propane (#52C)		SRV582-852
	Orifice Butane (.057)		582-057
21.1	Component Heat Shield		2541-144
21.2	6 Volt DC Power Adapter	Post LC5818239	2326-191
	Transformer, 6 Volt Wall	Pre LC5818239	SRV2326-131
	Jumper Wire, 36" Male/Female	Pre LC5818239	2159-310
	Wall Switch Jumper Wire	Pre LC5818239	SRV2179-300
21.3	Module, IPI		2166-306
21.4	Wire Tray		2534-171
21.5	Tray, Component		2534-170
21.6	Wire Harness		2166-304
21.7	Jumper Wire		SRV2187-198
21.8	AUX300, CE		2166-340

Additional service part numbers appear on following page.

