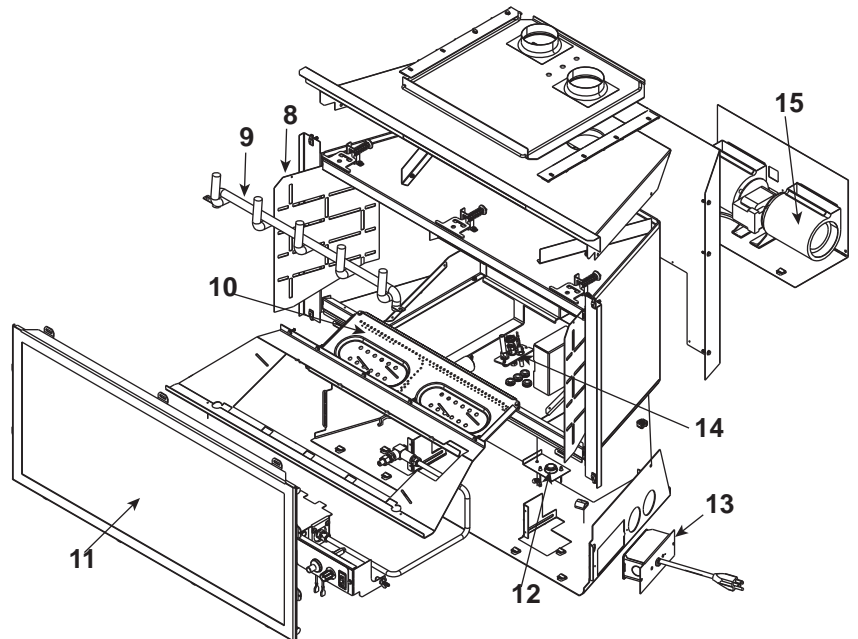
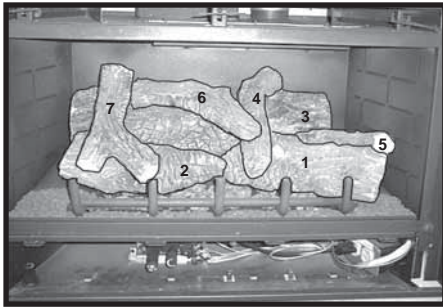


Log Set Assembly/Burner



IMPORTANT: THIS IS DATED INFORMATION. When requesting service or replacement parts for your appliance please provide model number and serial number. All parts listed in this manual may be ordered from an authorized dealer.



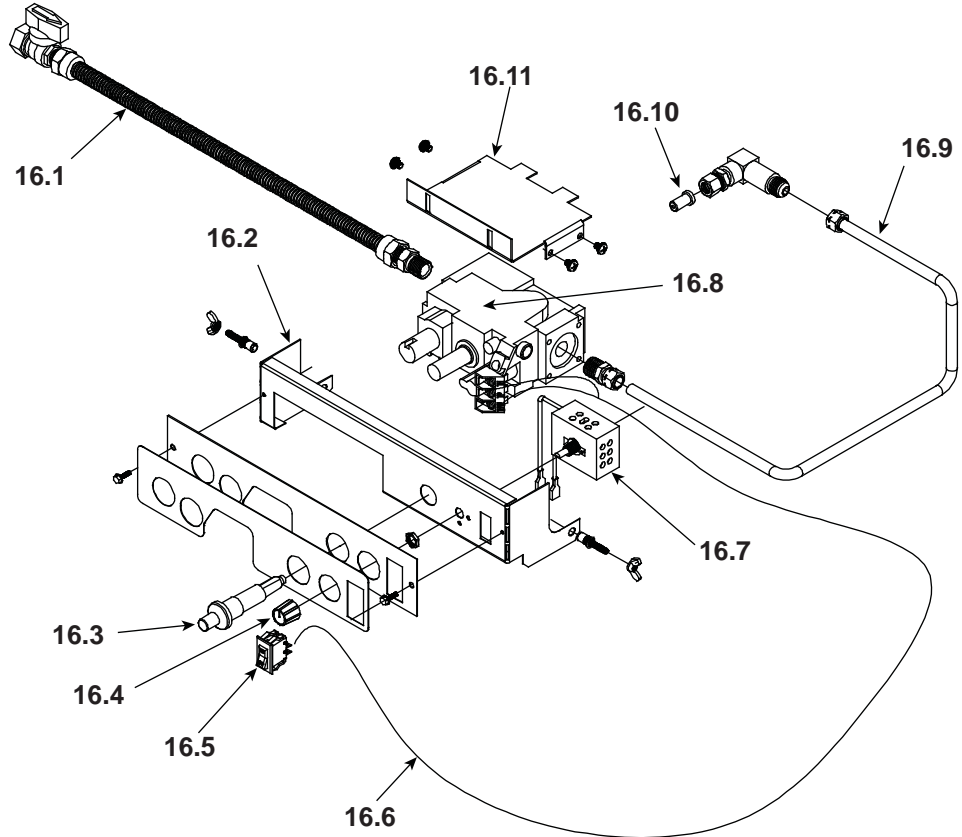
Stocked at Depot

ITEM	DESCRIPTION	COMMENTS	PART NUMBER	
	Log Set Assembly		LOGS-I30SE	Y
1	Log 1		SRV740-701	
2	Log 2		SRV740-705	
3	Log 3		SRV740-706	
4	Log 4		SRV740-702	
5	Log 5		SRV740-703	
6	Log 6		SRV740-704	
7	Log 7		SRV740-707	
8	Refractory		740-370	
9	Grate Assembly		32704	
10	Burner NG		740-176A	Y
11	Glass Assembly		GLA-I30SE	Y
12	Temp Sensor		046-018A	Y
13	Junction Box		740-550A	Y
14	Pilot Assembly NG		230-1781	Y
	Pilot Assembly LP		29479	Y
15	Fan Assembly		27097	
	Lava Rock Bag		705-420	
	Mineral Wool		050-721	
	Touch Up Paint		TUP-GBK-12	
	Vermiculite Embers		28746	

Additional service part numbers appear on the following page.

Beginning Manufacturing Date: Aug 2002
Ending Manufacturing Date: Aug. 2002

#16 Valve Assembly



IMPORTANT: THIS IS DATED INFORMATION. When requesting service or replacement parts for your appliance please provide model number and serial number. All parts listed in this manual may be ordered from an authorized dealer.



**Stocked
at Depot**

ITEM	DESCRIPTION	COMMENTS	PART NUMBER	
16.1	Flex Ball Valve Assembly		531-320A	Y
16.2	Bracket		740-126	
16.3	Piezo Ignitor		291-513	Y
16.4	Rheostat Knob - Black		100-512	Y
16.5	ON/OFF Rocker Switch		230-0730	Y
16.6	Wire Assembly	No longer available	26203	
16.7	Rheostat Assembly		100-510A	Y
16.8	Valve NG		230-0710	Y
	Valve LP		230-0720	Y
16.9	Flexible Gas Connector		477-301A	Y
16.10	Orifice .106 (NG)		19837	Y
	Orifice .063 (LP)		17236	Y
16.11	Valve Bracket		740-145	
	Conversion Kit NG		843-2540	Y
	Conversion Kit LP		843-2530	Y
	Pilot Orifice LP		200-2630	Y
	Regulator NG		230-1570	Y