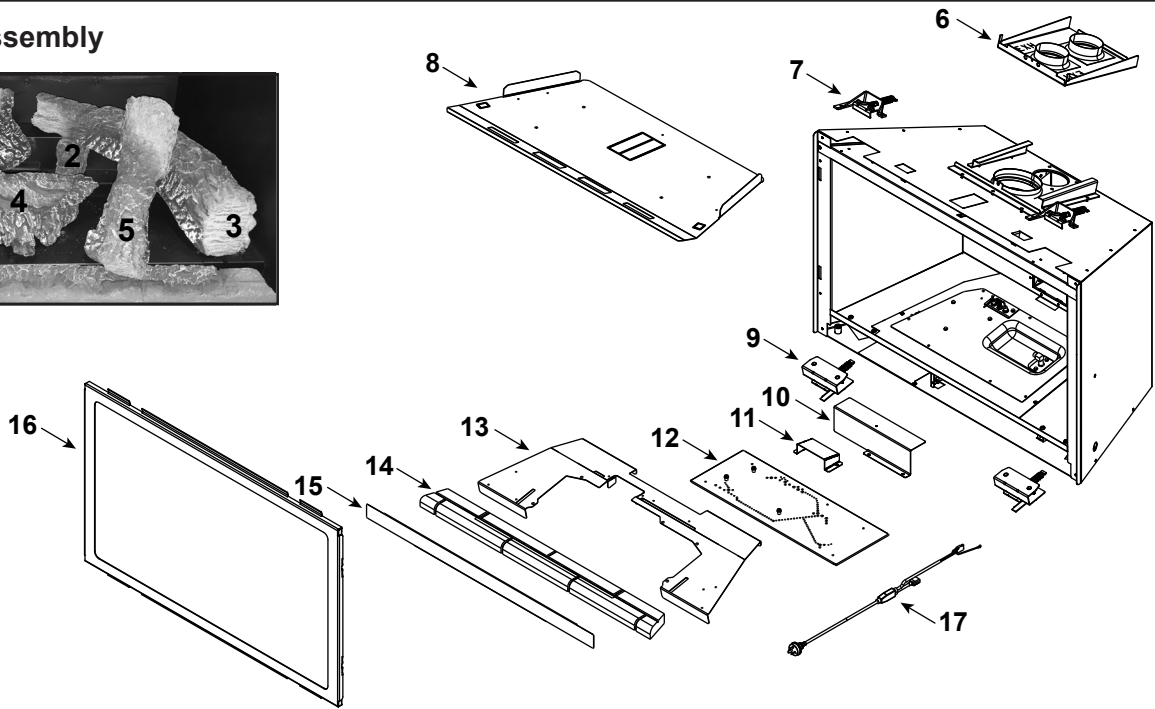
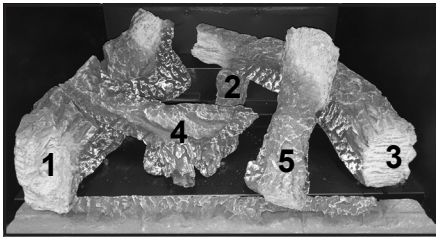


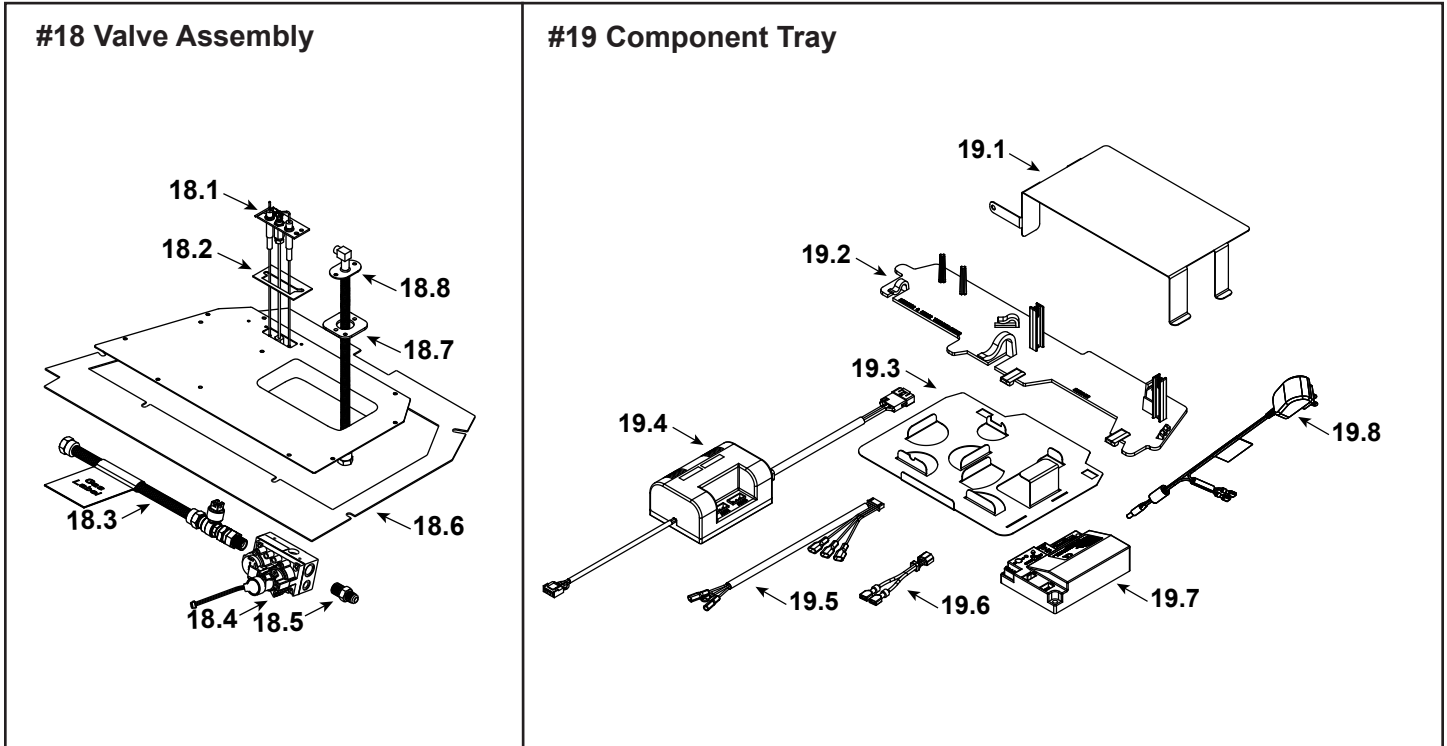
Log Set Assembly



IMPORTANT: THIS IS DATED INFORMATION. Parts must be ordered from a dealer or distributor. **Hearth and Home Technologies does not sell directly to consumers.** Provide model number and serial number when requesting service parts from your dealer or distributor.



ITEM	DESCRIPTION	COMMENTS	PART NUMBER
	Log Assembly (Hearth Refractory not Included)		LOGS-2531
1	Log 1		SRV2531-711
2	Log 2		SRV2531-712
3	Log 3		SRV2531-713
4	Log 4		SRV2531-714
5	Log 5		SRV2531-715
6	Slide Plate Assembly		2532-014
	Tool, Slide Plate (Multi-purpose)		2532-140
	Gasket		2532-113
7	Glass Clip Assembly, Top	Qty 2 req	2155-046
8	Baffle, Firebox		2531-138
9	Glass Clip Assembly, Bottom	Qty 2 req	2532-009
10	Air Scoop		2532-135
11	Pilot Shield		2532-153
12	Burner Assembly		2531-007
13	Base Pan		2531-130
14	Hearth Refractory (Not for use with BRICK-MI30-TR/BRICK-MI30-HB)		SRV2531-704
15	Seal, Glass Frame		2531-122
16	Glass Door Assembly		GLA-2531
17	Power Cord		2222-374
	Fan		2264-500A



IMPORTANT: THIS IS DATED INFORMATION. Parts must be ordered from a dealer or distributor. **Hearth and Home Technologies does not sell directly to consumers.** Provide model number and serial number when requesting service parts from your dealer or distributor.



ITEM	DESCRIPTION	COMMENTS	PART NUMBER
18.1	Pilot Assembly NG		2550-013
	Pilot Assembly Propane		2550-014
18.2	Pilot Gasket		2532-134
18.3	Flex Ball Valve Assembly		2532-081
18.4	Valve NG		SRV2166-302
	Valve Propane		2166-303
18.5	Male Connector	Pkg of 5	303-315/5
18.6	Gasket, Valve Plate		2532-131
18.7	Gasket, Bulkhead		438-407
18.8	Bulkhead w/Flex Tube		SRV7000-156
	Orifice NG (#40C)		582-840
	Orifice Propane (#53C)		582-853
19.1	Heat Shield, AU		2547-144
19.2	Wire Tray		2532-171
19.3	Component Tray		2547-170
19.4	AUX300, CE		2166-340
19.5	Wire Harness		2166-304
19.6	Jumper Wire		SRV2187-198
19.7	Module, IPI		2166-306
19.8	6 Volt DC Power Adapter		2326-191

Additional service part numbers appear on following page.

