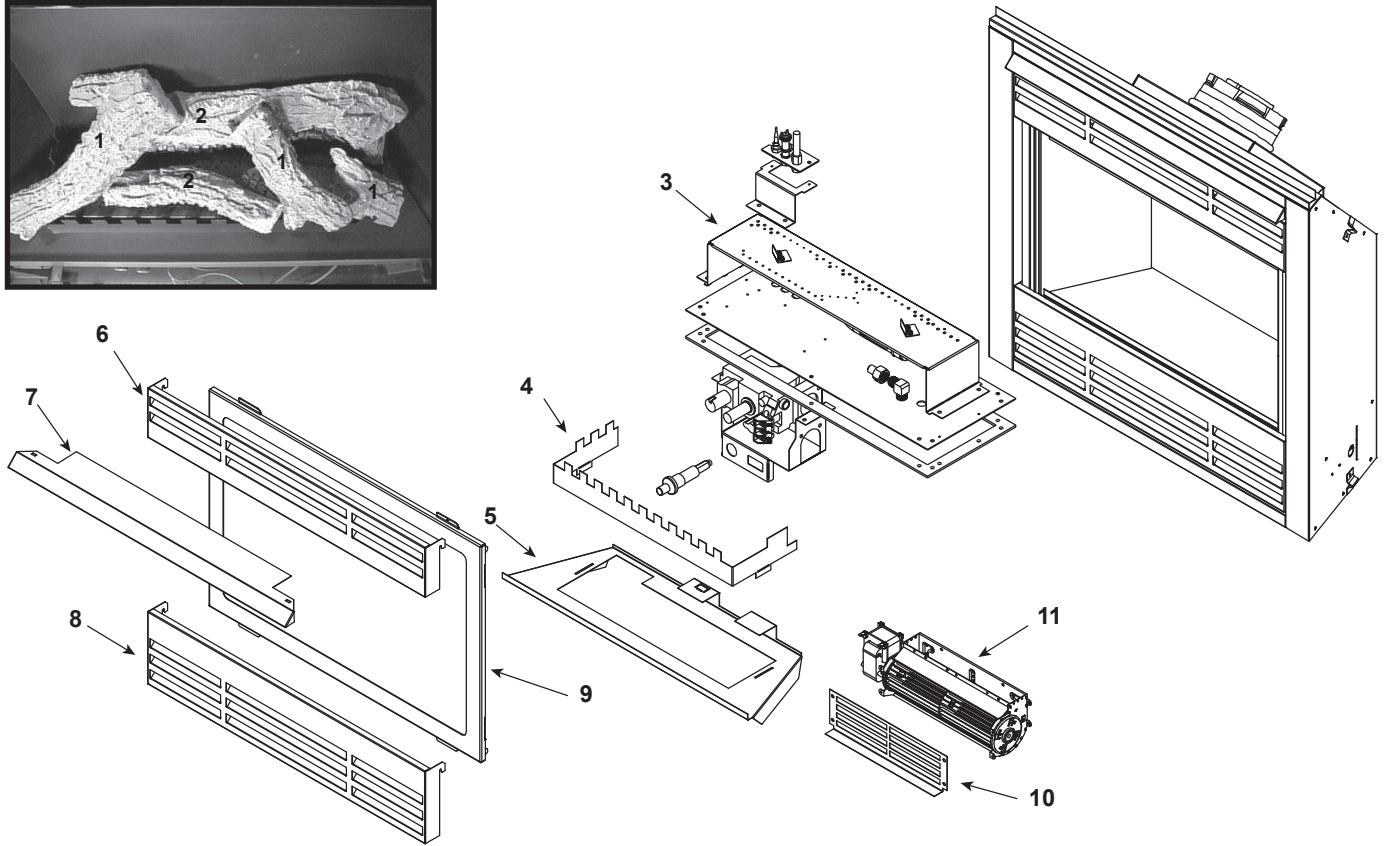


Log Set Assembly



IMPORTANT: THIS IS DATED INFORMATION. Parts must be ordered from a dealer or distributor. **Hearth and Home Technologies does not sell directly to consumers.** Provide model number and serial number when requesting service parts from your dealer or distributor.



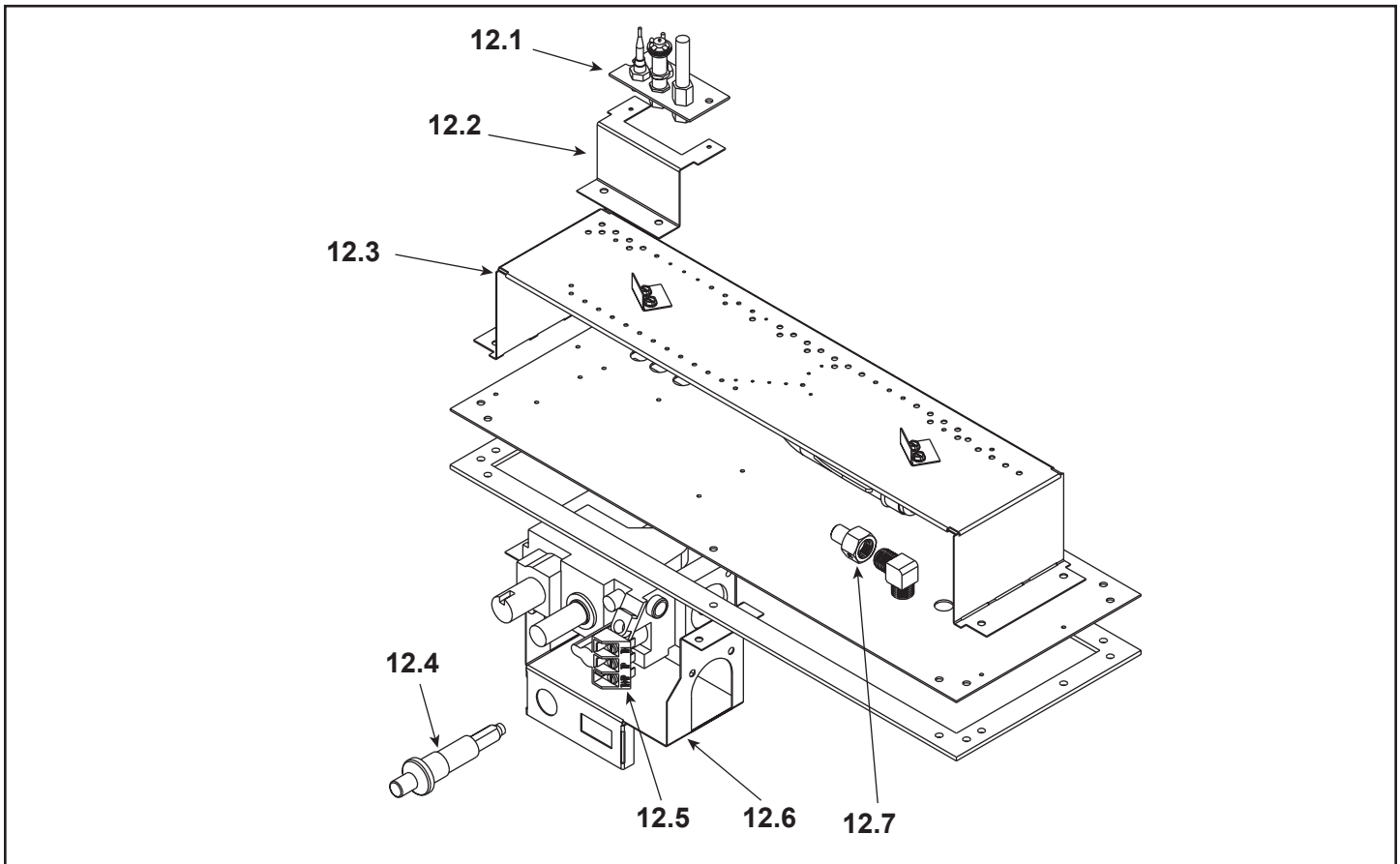
Stocked at Depot

ITEM	DESCRIPTION	COMMENTS	PART NUMBER	
1	Log Set Assembly 1	No longer available	SRV589-702A	
2	Log Set Assembly 2	No longer available	SRV589-701A	
3	Burner NG	No longer available	589-176A	
	Burner LP	No longer available	589-175A	
4	Burner Support (Grate)	No longer available	689-160	
5	Base Pan	No longer available	589-130	
6	Door Front Top	No longer available	589-154	
7	Hood	No longer available	589-174	
8	Door Front Bottom	No longer available	589-153	
9	Glass Door Assembly	No longer available	GLA-350	
10	Fan Bracket	No longer available	589-126	
11	Fan Kit	No longer available	GFK-100	
	Decorative Front	No longer available	DF-HV	
	Fiberglass Rope ring		045-455	
	Touch Up Paint		TUPB-12	
	Remote		SMART-STAT-HHT	

Additional service part numbers appear on following page.

No one builds a better fire

Beginning Manufacturing Date: Aug. 1999
Ending Manufacturing Date: Dec. 2002



IMPORTANT: THIS IS DATED INFORMATION. Parts must be ordered from a dealer or distributor. **Hearth and Home Technologies does not sell directly to consumers.** Provide model number and serial number when requesting service parts from your dealer or distributor.



**Stocked
at Depot**

ITEM	DESCRIPTION	COMMENTS	PART NUMBER	
12.1	Pilot Assembly NG		2103-010	Y
	Pilot Assembly LP		2103-011	Y
12.2	Pilot Bracket	No longer available	589-165	
12.3	Burner NG		589-176A	
	Burner LP		589-175A	
12.4	Piezo Ignitor		291-513	Y
12.5	Valve NG		SRV230-0710	Y
	Valve LP		SRV230-0720	Y
12.6	Valve Bracket	No longer available	589-109	
12.7	Burner Orifice LP (#55A)	No longer available	041-801	
	Burner Orifice NG (#44A)	No longer available	041-800	
	Conversion Kit NG	No longer available	NGK-HVCDN	
	Conversion Kit LP	No longer available	LPK-HVCDN	
	Pilot Orifice NG		SRV2103-116	Y
	Pilot Orifice LP	No longer available	571-517	
	Regulator NG		SRV230-1570	Y
	Regulator LP		SRV230-1520	Y