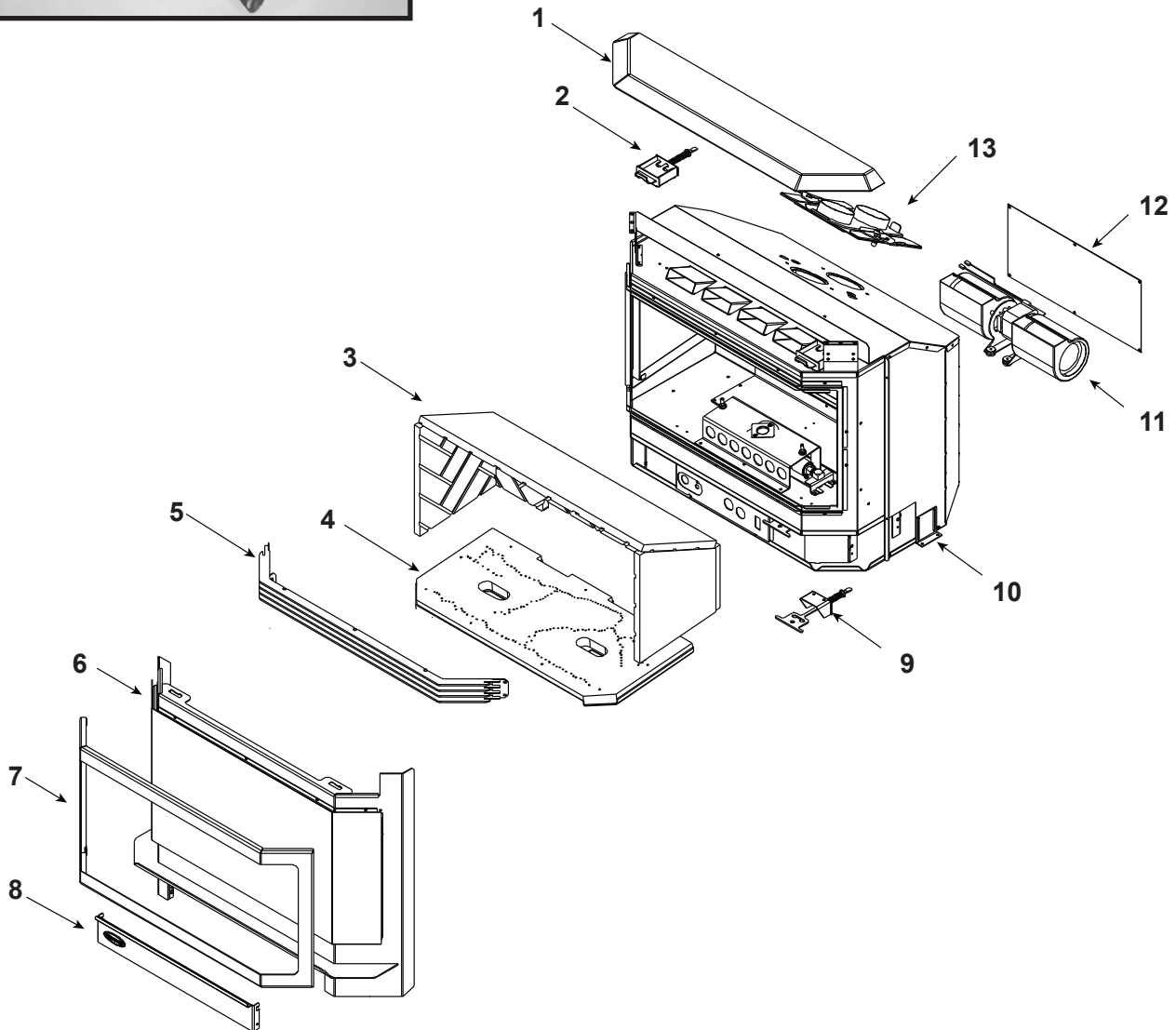
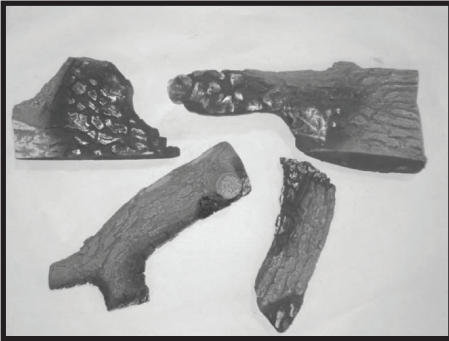


Log Set Assembly



Part number list on following page.

IMPORTANT: THIS IS DATED INFORMATION. Parts must be ordered from a dealer or distributor. **Hearth and Home Technologies does not sell directly to consumers.** Provide model number and serial number when requesting service parts from your dealer or distributor.

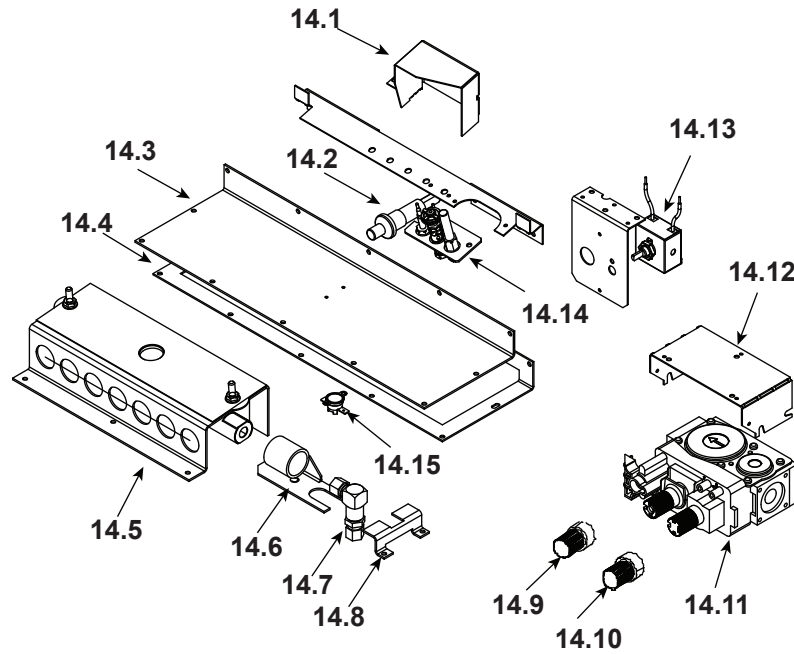


**Stocked
In Depot**

ITEM	DESCRIPTION	COMMENTS	PART NUMBER	
	Log Set Assembly		SRV7008-012	Y
1	Top Assembly	Pre SN 0021678012	SRV7008-027	
		Post SN 0021678012	7008-027	
2	Latch Assembly (Stationary)	Qty 2 req	7003-006	Y
3	Refractory Assembly		7008-002	
4	Burner Assembly		SRV7008-004	
5	Grill Bar Assembly, BLACK	No longer available	SRV7008-010	
		Post SN 0021678012	SRV7008-010A	
	Grill Bar Assembly	No longer available	LVGRL-GD	
		No longer available	LVGRL-NL	
6	Door Assembly	Pre SN 0021678012	DOOR-HUDBAY-INS	
		Post SN 0021678012	DOOR-HUDBAY-INB	
	Gasket, Glass (3/4" X 5')		832-0460	Y
	Gasket, Tadpole,	10 FT	842-5130	Y
7	Door Crown , BLACK	No longer available	SRV462-0150	
		No longer available	462-0150	
	Door Crown	No longer available	DC-BAY-GD	
		No longer available	DC-BAY-NL	
8	Door, Face Access	Pre SN 0021678012	SRV7008-117	
		Post SN 0021678012	7008-117	
9	Latch Assembly	Qty 2 req	7003-005	Y
10	Leveling Leg		462-0420	
11	Blower		812-4900	Y
	Wire Harness	No longer available	455-7240	
12	Blower Access Plate, Rear		7008-141	
13	Transition Assembly		7008-011	
Component Pack		No longer available	7008-006	
Contains: Mineral Wool; Pilot Injector, EZ,35; Strain Relief Bushing; Hose Clamp; LP Conversion Regulator; S.I.T. LP; Conversion Labels; Orifice, .076 (Port); Owner's manual; Warranty Card and Consumer View Card				
	Gasket, 1/2" Tadpole, Unit	10 Ft	842-5130	Y
	Fire Screen		7008-163	
	Mineral Wool		050-721	
	Touch Up Paint	Pre SN 0021678012	812-0910	
		Post SN 0021678012	TUP-GBK-12	
	Wire Harness		462-0510	Y
	Conversion Kit NG		N/A	
	Conversion Kit LP		LPK-7008	Y
	Pilot Orifice NG		842-4440	Y
	Pilot Orifice LP		SRV200-2630	Y
	Regulator NG		SRV230-1570	Y
	Regulator LP		SRV230-1520	Y

Additional service part numbers appear on following page.

#14 Valve Assembly



IMPORTANT: THIS IS DATED INFORMATION. Parts must be ordered from a dealer or distributor. **Hearth and Home Technologies does not sell directly to consumers.** Provide model number and serial number when requesting service parts from your dealer or distributor.



**Stocked
in Depot**

ITEM	DESCRIPTION	COMMENTS	PART NUMBER	
14.1	Pilot Shield		7008-172	
14.2	Piezo Ignitor		291-513	Y
14.3	Blower Access Plate		7008-135	
14.4	Gasket, Blower Access		7008-136	
14.5	Burner Neck Support Assembly		SRV7008-005	Y
14.6	Shutter Bracket Assembly		SRV468-5060	Y
14.7	Bulkhead		26457	Y
14.8	Bulkhead Stop		SRV474-0090	
14.9	Extension Knob, HI/Lo		571-533	y
14.10	Extension Knob, ON/OFF		SRV37D0010	
14.11	Valve NG		842-0240	Y
	Valve LP		842-0230	Y
14.12	Valve Bracket		7008-112	
14.13	Speed Control		842-0370	Y
	Speed Control Knob		200-2041	Y
14.14	Pilot Assembly NG		7003-014	Y
	Pilot Assembly LP		Use LP Pilot Orifice	
	Thermocouple		200-2950	Y
	Thermopile		842-0250	Y
14.15	Snap Disc		SRV230-0960	Y
	Orifice NG (.125)		SRV24691	Y
	Orifice LP (.076)		29388	Y