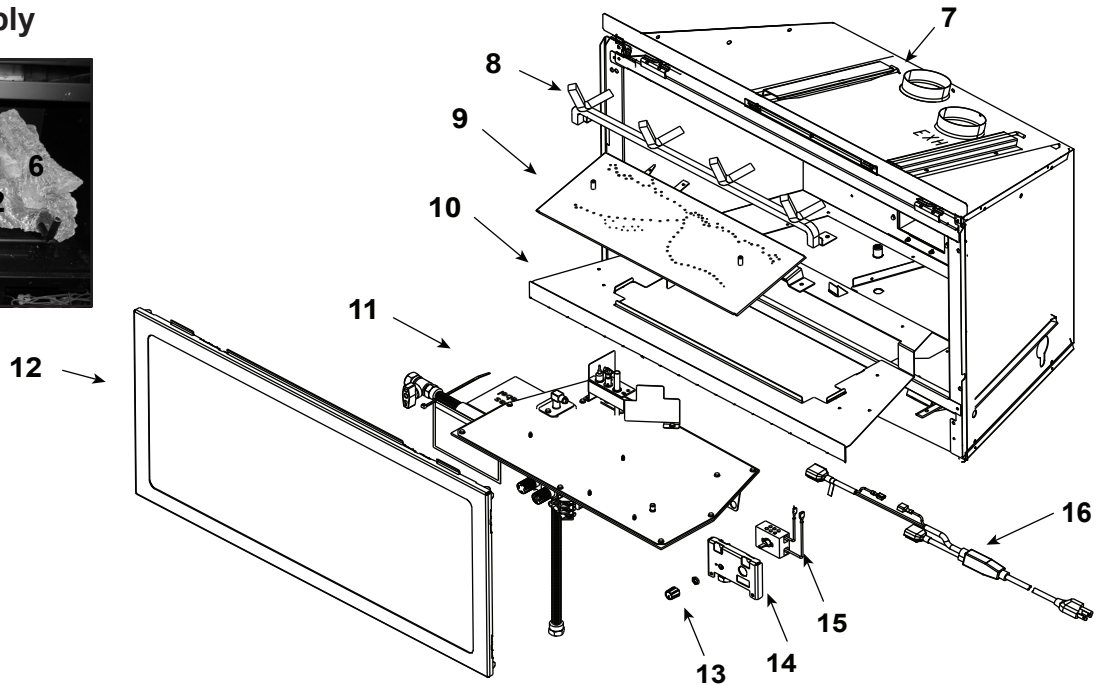
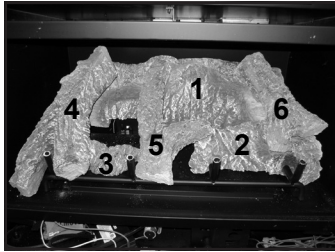


Log Set Assembly



IMPORTANT: THIS IS DATED INFORMATION. Parts must be ordered from a dealer or distributor. **Hearth and Home Technologies does not sell directly to consumers.** Provide model number and serial number when requesting service parts from your dealer or distributor.

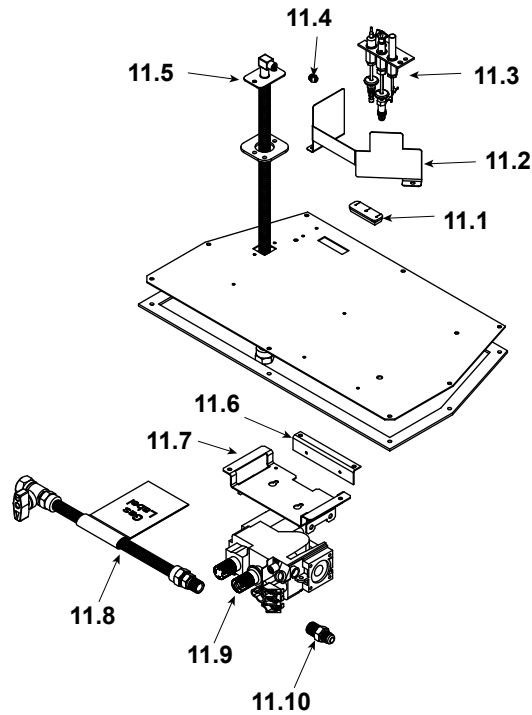


Stocked at Depot

ITEM	DESCRIPTION	COMMENTS	PART NUMBER	Stocked at Depot
	Log Assembly		LOGS-NDI30	Y
1	Log 1		SRV2226-701	
2	Log 2		SRV2226-702	
3	Log 3		SRV2226-706	
4	Log 4		SRV2226-703	
5	Log 5		SRV2226-705	
6	Log 6		SRV2226-704	
7	Termination Plate Assembly		2206-013	
	Flex Pipe Handle		438-351	
	Gasket		2206-178	
8	Grate Assembly		SRV2226-016-BK	
9	Burner Assembly		SRV2226-008-BK	Y
10	Base Pan		SRV2206-127-BK	
11	Valve Assembly		Refer to valve page	
12	Glass Door Assembly		GLA-2206	Y
13	Rheostat Knob		SRV100-512	Y
14	Control Panel		SRV2205-129-BK	
15	Rheostat		2206-800	Y
16	Cord Assembly		2201-017	Y

Additional service part numbers appear on following page.

#11 Valve Assembly



IMPORTANT: THIS IS DATED INFORMATION. Parts must be ordered from a dealer or distributor. **Hearth and Home Technologies does not sell directly to consumers.** Provide model number and serial number when requesting service parts from your dealer or distributor.



Stocked at Depot

ITEM	" flex Tube Assembly	COMMENTS	PART NUMBER	
11.1	Grommet, 3 hole		SRV2118-420	
11.2	Pilot Shield		SRV2206-128-BK	
11.3	Pilot Assembly NG		2103-010	Y
	Pilot Assembly Propane		2103-011	Y
	Pilot Tube		SRV485-301	Y
	Thermocouple		446-511	Y
	Thermopile		2103-512	Y
11.4	Orifice NG (#35C)		SRV582-835	Y
	Orifice Propane (#51C)		SRV582-851	Y
11.5	18" Flex Tube Assembly		530-302A	Y
11.6	Control Panel Bracket		SRV2205-128	
11.7	Valve Bracket		SRV2205-146	
11.8	Flex Ball Valve Assembly		SRV302-320	Y
11.9	Valve NG		SRV230-0710	Y
	Valve Propane		230-0720	Y
11.10	Brass Connector	Pkg of 5	303-315/5	Y

Additional service part numbers appear on following page.



Service Parts

HNGINS-30-SP

No one builds a better fire

Beginning Manufacturing Date: Mar 2018
Ending Manufacturing Date: Feb 2019

IMPORTANT: THIS IS DATED INFORMATION. Parts must be ordered from a dealer or distributor. Hearth and Home Technologies does not sell directly to consumers. Provide model number and serial number when requesting service parts from your dealer or distributor.



Stocked at Depot

Table with 5 columns: ITEM, DESCRIPTION, COMMENTS, PART NUMBER, and Stocked at Depot. It lists various service parts like Gasket Assembly, Glass Clip Support Assembly, and Conversion Kits.