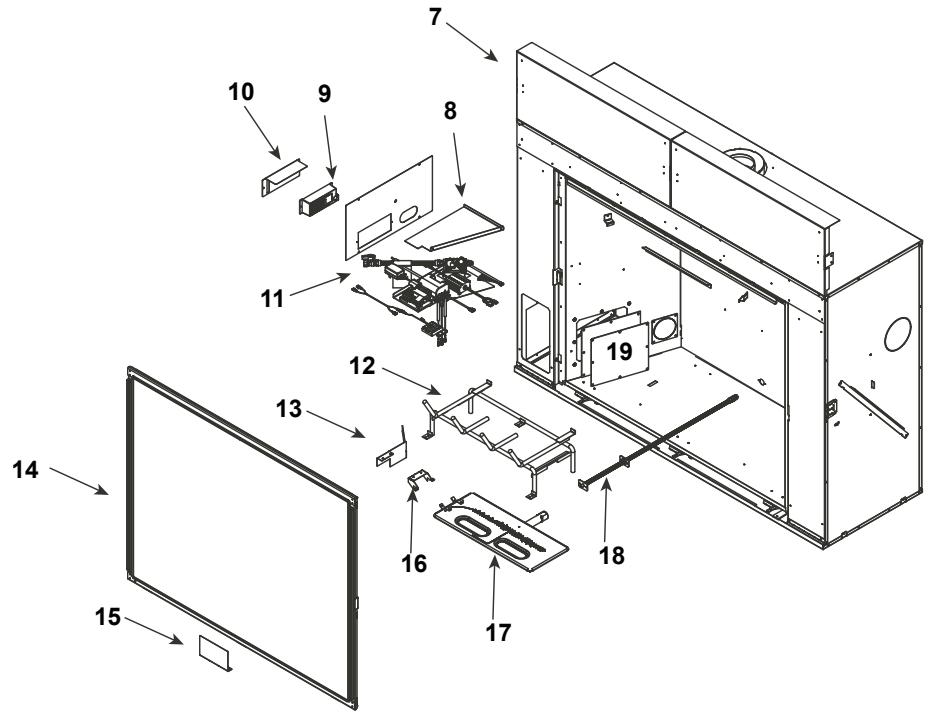
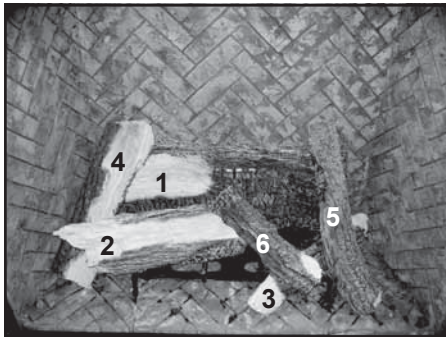


Log Set Assembly



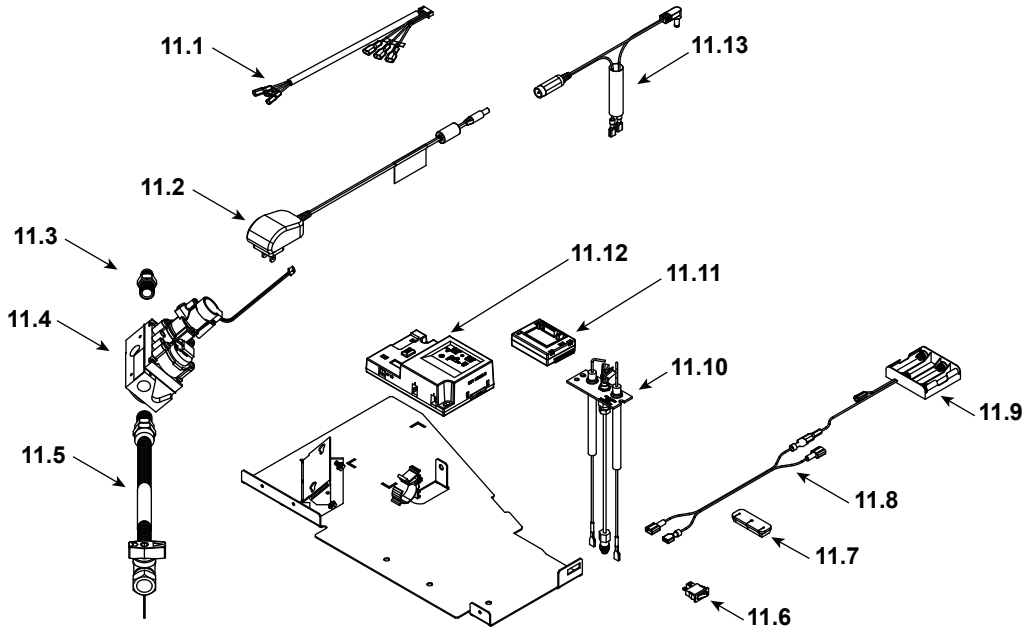
IMPORTANT: THIS IS DATED INFORMATION. Parts must be ordered from a dealer or distributor. **Hearth and Home Technologies does not sell directly to consumers.** Provide model number and serial number when requesting service parts from your dealer or distributor.



Stocked at Depot

ITEM	DESCRIPTION	COMMENTS	PART NUMBER	Stocked at Depot
	Log Assembly		LOGS-HEIR50	Y
1	Log 1		SRV2285-701	
2	Log 2		SRV2285-702	
3	Log 3		SRV2285-703	
4	Log 4		SRV2285-704	
5	Log 5		SRV2285-705	
6	Log 6		SRV2285-706	
7	Heat Shield, Header	Qty 2 req	2282-105	
8	Heat Shield, Valve		2281-153	
9	Junction box		SRV4021-013	Y
10	J-Box Bracket		2281-154	
11	Valve Assembly		Refer to Valve Page	
12	Grate Assembly		2285-015	
13	Air Deflector		2285-159	
14	Glass Assembly		GLA-2285	
15	Finishing Spacer		2281-113	
16	Pilot Cover		2281-187	
17	Burner Assembly, NG		2285-007	Y
	Burner Assembly, Propane		2285-008	Y
18	Orifice Bracket Flex		2282-161	Y
19	Access Plate		2281-117	

#11 Valve Assembly



IMPORTANT: THIS IS DATED INFORMATION. Parts must be ordered from a dealer or distributor. **Hearth and Home Technologies does not sell directly to consumers.** Provide model number and serial number when requesting service parts from your dealer or distributor.



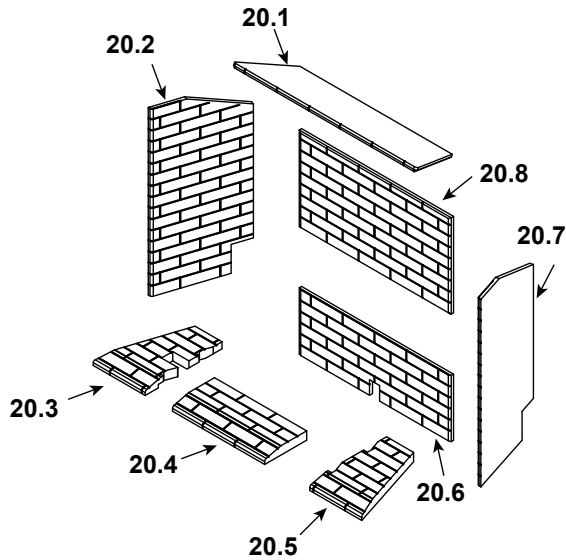
Stocked at Depot

ITEM	DESCRIPTION	COMMENTS	PART NUMBER	Stocked at Depot
11.1	Wire Harness		SRV2326-132	Y
11.2	Power Supply		SRV2326-131	Y
11.3	Male connector	Pkg of 5	303-315/5	Y
11.4	Valve NG		2166-302	Y
	Valve Propane		2166-303	Y
11.5	Flex Ball Valve Assembly. 12"		SRV302-320	Y
11.6	Rocker Switch		SRV2206-299	Y
11.7	Grommet		SRV2118-420	
11.8	Wire, Battery jumper, 10 in		2281-196	Y
11.9	**Battery Pack		SRV2326-134	Y
11.10	Pilot Assembly, NG		2270-012	Y
11.11	Module, RF FCC		2326-120	Y
11.12	Module, Control IFT		2326-130	Y
11.13	Reset Switch Wire		2326-135	Y
	Orifice NG (#24C)		582-824	Y
	Orifice Propane (#43C)		582-843	Y

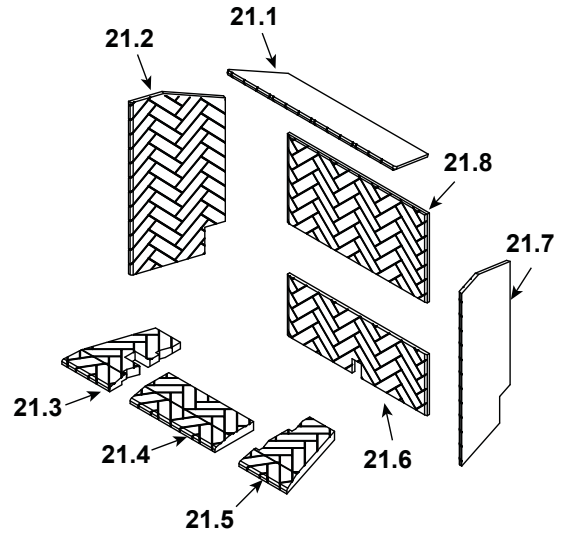
**Fuse for battery pack can be sourced locally, not a warranty item. Specs are 250v, 3A fuse, 3/4" long

Additional service parts on following page.

#20 Traditional Refractory



#21 Herringbone Refractory



IMPORTANT: THIS IS DATED INFORMATION. Parts must be ordered from a dealer or distributor. **Hearth and Home Technologies does not sell directly to consumers.** Provide model number and serial number when requesting service parts from your dealer or distributor.



Stocked at Depot

ITEM	DESCRIPTION	COMMENTS	PART NUMBER	
	Refractory, Traditional			
20.1	Refractory, Top		SRV2285-716	
20.2	Refractory, Left		SRV2285-713	
20.3	Refractory, Left Base		SRV2285-711	
20.4	Refractory, Front Base		SRV2285-710	
20.5	Refractory, Right Base		SRV2285-712	
20.6	Refractory, Back Bottom		SRV2285-715	
20.7	Refractory, Right		SRV2285-714	
20.8	Refractory, Back		SRV2285-717	
	Refractory, Herringbone			
21.1	Refractory, Top		SRV2285-726	
21.2	Refractory, Left		SRV2285-723	
21.3	Refractory, Left Base		SRV2285-721	
21.4	Refractory, Front Base		SRV2285-720	
21.5	Refractory, Right Base		SRV2285-722	
21.6	Refractory, Back Bottom		SRV2285-725	
21.7	Refractory, Right		SRV2285-724	
21.8	Refractory, Back		SRV2285-727	

Additional service parts on following page.



Service Parts

HEIR50T-IFT, HEIR50H-IFT

Beginning Manufacturing Date: Feb 2017

Ending Manufacturing Date: Active

IMPORTANT: THIS IS DATED INFORMATION. Parts must be ordered from a dealer or distributor. **Hearth and Home Technologies does not sell directly to consumers.** Provide model number and serial number when requesting service parts from your dealer or distributor.



Stocked
at Depot

ITEM	DESCRIPTION	COMMENTS	PART NUMBER	Stocked at Depot
	Air Shutter Burner Tube		2052-157	
	Exhaust Restrictor		385-128	
	Gasket Assembly		SRV2281-080	
	Glass Clip tool		2281-375	
	Glass Latch Assembly (Sides)	Qty 2 req	2146-413	Y
	Glass Latch Assembly (Bottom)	Qty 4 req	2155-045	Y
	Jumper Wire	Refer to Install Manual	SRV2187-198	
	Lava Rock		4021-296	
	Mineral Wool		050-721	
	Non-Comb Assembly		2282-040	
	Nut 1/4-20 Hex Insert		7000-236	
	Refractory Tab	Qty 2 req	2281-114	
	Relief Door Assembly		7011-011	
	Remote, RC400		SRV2326-110	
	Screws	Pkg of 20	2300-275-20	Y
	Top Refractory Support		2281-190	
	Vermiculite Embers		MYSTIC-EMBERS	
	Trim Strip, Sides	Qty 2 req	2282-366	
	Trim Strip, Top		2282-367	
Conversion Kits				
	Conversion Kit NG		NGK-HEIR50	Y
	Conversion Kit Propane		LPK-HEIR50	Y
	Pilot Orifice NG		SRV593-528	Y
	Pilot Orifice Propane		SRV593-527	Y
	Regulator NG	w/stepper motor	NGK-DXV-50	Y
	Regulator Propane	w/stepper motor	SRVLPK-DXV-50	Y