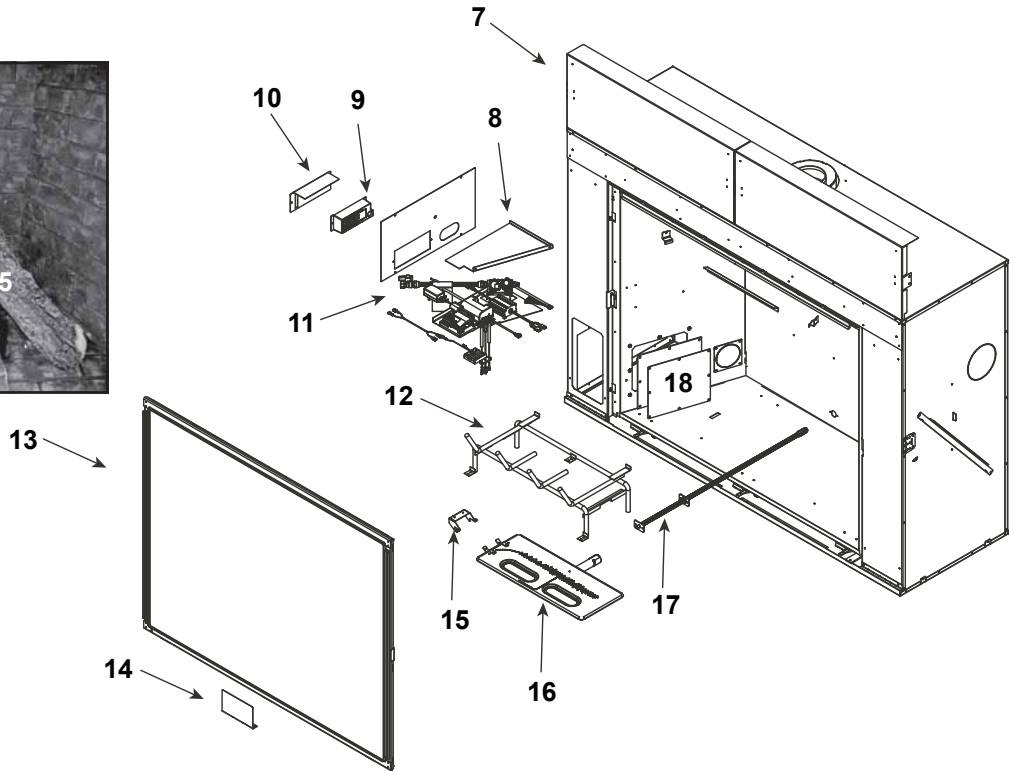
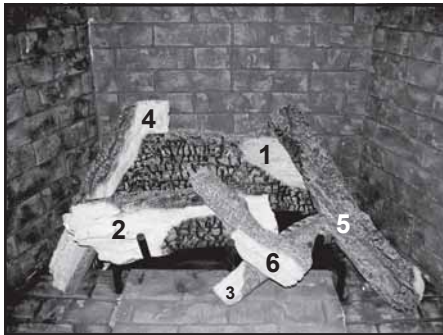


Log Set Assembly



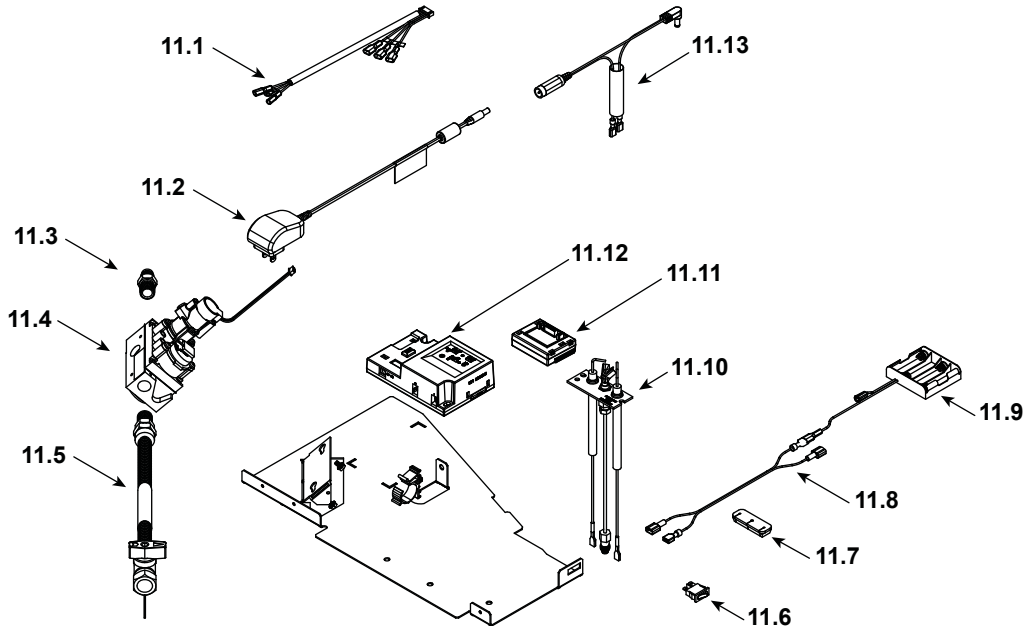
IMPORTANT: THIS IS DATED INFORMATION. Parts must be ordered from a dealer or distributor. **Hearth and Home Technologies does not sell directly to consumers.** Provide model number and serial number when requesting service parts from your dealer or distributor.



Stocked at Depot

ITEM	DESCRIPTION	COMMENTS	PART NUMBER	
	Log Assembly		LOGS-HEIR42	Y
1	Log 1		SRV2284-701	
2	Log 2		SRV2284-702	
3	Log 3		SRV2284-703	
4	Log 4		SRV2284-704	
5	Log 5		SRV2284-705	
6	Log 6		SRV2284-706	
7	Heat Shield, Header	Qty 2 req	2281-105	
8	Heat Shield, Valve		2281-153	
9	Junction box		SRV4021-013	Y
10	J-Box Bracket		2281-154	
11	Valve Assembly		Refer to Valve Page	
12	Grate Assembly		2284-015	
13	Glass Assembly		GLA-2284	
14	Finishing Spacer		2281-113	
15	Pilot Cover		2281-187	
16	Burner Assembly		2284-007	Y
17	Orifice Bracket Flex		2012-008	Y
18	Access Plate		2281-117	

#11 Valve Assembly



IMPORTANT: THIS IS DATED INFORMATION. Parts must be ordered from a dealer or distributor. **Hearth and Home Technologies does not sell directly to consumers.** Provide model number and serial number when requesting service parts from your dealer or distributor.



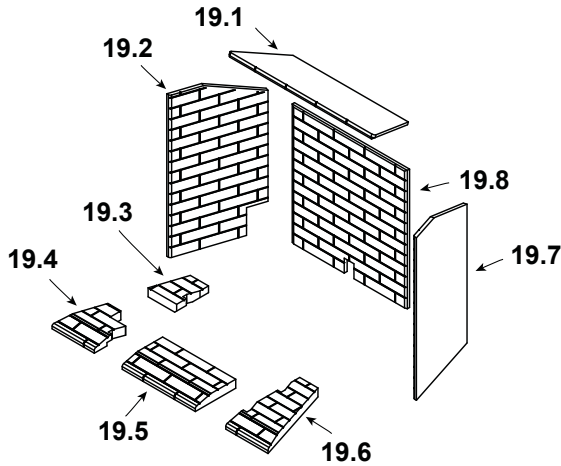
Stocked at Depot

ITEM	DESCRIPTION	COMMENTS	PART NUMBER	Stocked at Depot
11.1	Wire Harness		SRV2326-132	Y
11.2	Power Supply		SRV2326-131	Y
11.3	Male connector	Pkg of 5	303-315/5	Y
11.4	Valve NG		2166-302	Y
	Valve Propane		2166-303	Y
11.5	Flex Ball Valve Assembly. 12"		SRV302-320	Y
11.6	Rocker Switch		SRV2206-299	Y
11.7	Grommet		SRV2118-420	
11.8	Wire, Battery jumper, 10 in		2281-196	Y
11.9	**Battery Pack		SRV2326-134	Y
11.10	Pilot Assembly, NG		2270-012	Y
11.11	Module, RF FCC		2326-120	Y
11.12	Module, Control IFT		2326-130	Y
11.13	Reset Switch Wire		2326-135	Y
	Orifice NG (#26C)		582-826	Y
	Orifice Propane (#45C)		582-845	Y

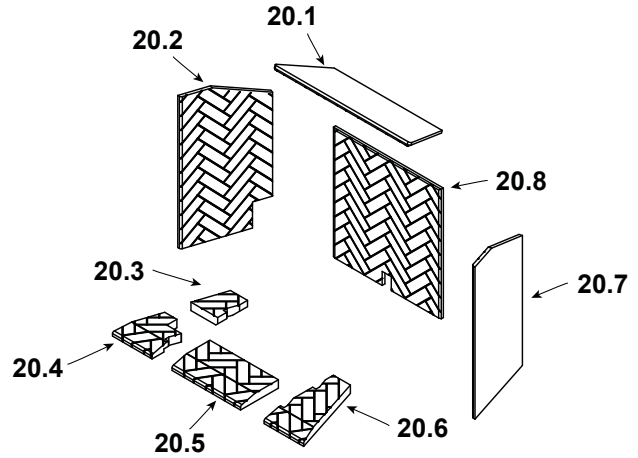
**Fuse for battery pack can be sourced locally, not a warranty item. Specs are 250v, 3A fuse, 3/4" long

Additional service parts on following page.

#19 Traditional Refractory



#20 Herringbone Refractory



IMPORTANT: THIS IS DATED INFORMATION. Parts must be ordered from a dealer or distributor. **Hearth and Home Technologies does not sell directly to consumers.** Provide model number and serial number when requesting service parts from your dealer or distributor.



Stocked at Depot

ITEM	DESCRIPTION	COMMENTS	PART NUMBER	
	Refractory, Traditional			
19.1	Refractory, Top		SRV2284-716	
19.2	Refractory, Left		SRV2284-713	
19.3	Refractory, Left Base		SRV2284-718	
19.4	Refractory, Left Base		SRV2284-711	
19.5	Refractory, Front Base		SRV2284-710	
19.6	Refractory, Right Base		SRV2284-712	
19.7	Refractory, Right		SRV2284-714	
19.8	Refractory, Back		SRV2284-715	
	Refractory, Herringbone			
20.1	Refractory, Top		SRV2284-726	
20.2	Refractory, Left		SRV2284-723	
20.3	Refractory, Left Base		SRV2284-728	
20.4	Refractory, Left Base		SRV2284-721	
20.5	Refractory, Front Base		SRV2284-720	
20.6	Refractory, Right Base		SRV2284-722	
20.7	Refractory, Right		SRV2284-724	
20.8	Refractory, Back		SRV2284-725	

Additional service parts on following page.

IMPORTANT: THIS IS DATED INFORMATION. Parts must be ordered from a dealer or distributor. **Hearth and Home Technologies does not sell directly to consumers.** Provide model number and serial number when requesting service parts from your dealer or distributor.



Stocked
at Depot

ITEM	DESCRIPTION	COMMENTS	PART NUMBER	Stocked at Depot
	Air Shutter Burner Tube		2052-157	
	Exhaust Restrictor		385-128	
	Gasket Assembly		SRV2281-080	
	Glass Clip Tool		2281-375	
	Glass Latch Assembly (Sides)	Qty 2 req	2146-413	Y
	Glass Latch Assembly (Bottom)	Qty 4 req	2155-045	Y
	Jumper Wires	Refer to Install Manual	SRV2187-198	
	Lava Rock		4021-296	
	Mineral Wool		050-721	
	Non-Comb Assembly		2281-040	
	Nut 1/420 Hex Insert		7000-236	
	Refractory Tab	Qty 2 req	2281-114	
	Relief Door Assembly		7011-011	
	Remote, RC400		SRV2326-110	
	Screws	Pkg of 20	2300-275-20	Y
	Top Refractory Support		2281-190	
	Vermiculite Embers		MYSTIC-EMBERS	
	Trim Strip, Sides	Qty 2 req	2281-366	
	Trim Strip, Top		2281-367	
Conversion Kits				
	Conversion Kit NG		NGK-HEIR42	Y
	Conversion Kit Propane		LPK-HEIR42	Y
	Pilot Orifice NG		SRV593-528	Y
	Pilot Orifice Propane		SRV593-527	Y
	Regulator NG	w/stepper motor	NGK-DXV-50	Y
	Regulator Propane	w/stepper motor	SRVLPK-DXV-50	Y