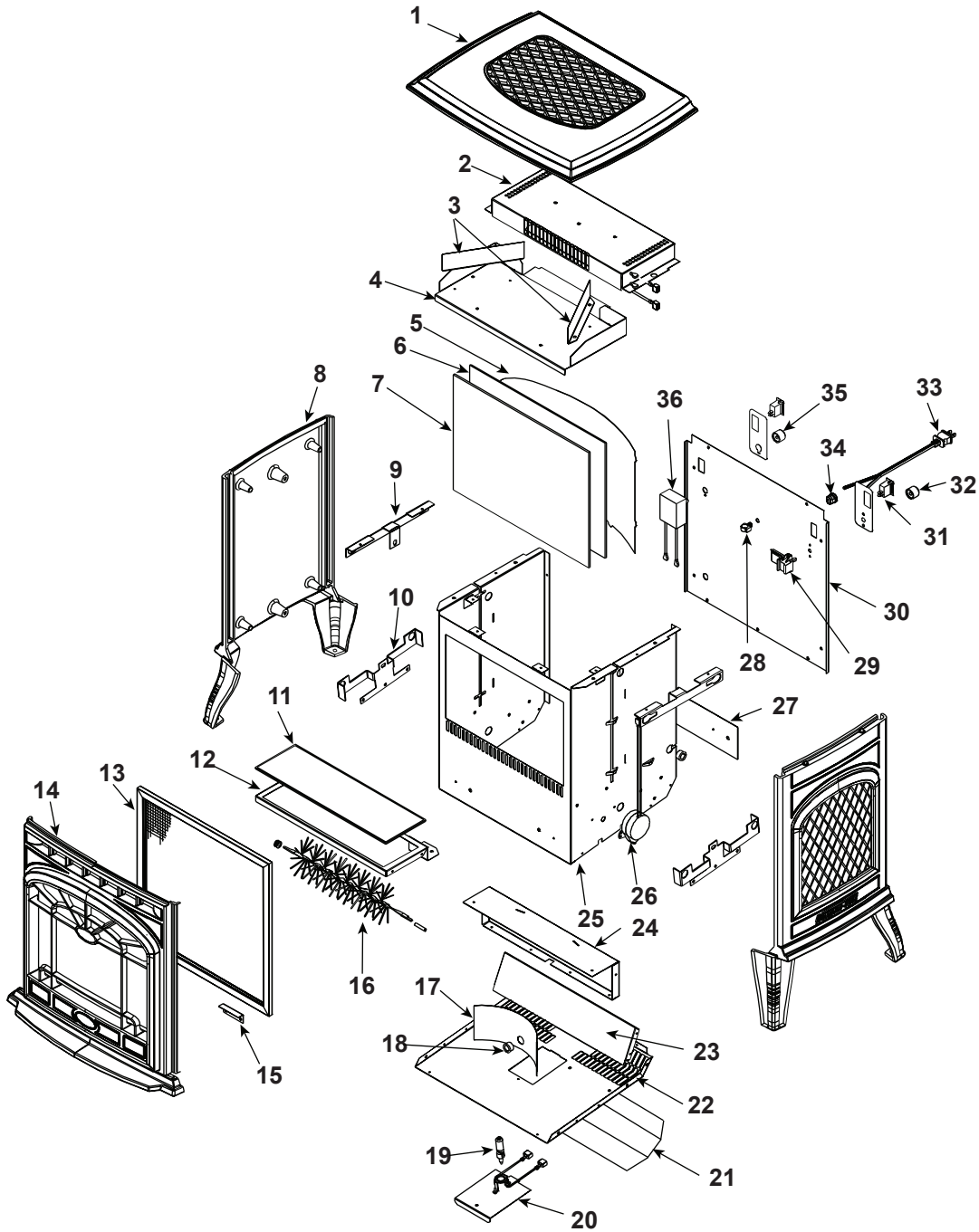


GarnetE-MBK-B (Black), GarnetE-PMH-B (Mahogany),
GarnetE-CLG-B (Linden Green) GarnetE-CME-B (Merlot)



Part number list on following page.

Beginning Manufacturing Date: Oct. 2004
Ending Manufacturing Date: Oct. 2005

IMPORTANT: THIS IS DATED INFORMATION. Parts must be ordered from a dealer or distributor. **Hearth and Home Technologies does not sell directly to consumers.** Provide model number and serial number when requesting service parts from your dealer or distributor.



**Stocked
at Depot**

ITEM	DESCRIPTION	COMMENTS	PART NUMBER	
	Log Assembly	No longer available	4035-156	
1	Top Casting	Specify color	464-0140MBK	
2	Heater Assembly	No longer available	4035-155	
3	Air Channel	No longer available	4035-321	
4	Air Deflector	No longer available	4035-305	
5	Flame Panel	No longer available	4035-308	
6	Lens	No longer available	4035-804	
7	Back Glass	No longer available	4035-801	
8	Side Casting - Qty. 2 req.	Specify color	7016-109MBK	
9	Upper Casting Support	No longer available	4035-306	
10	Lower Casting Support	No longer available	4035-307	
11	Ember Bed	No longer available	4035-818	
12	Hearth Pan	No longer available	4035-205	
13	Front Screen Assembly	No longer available	4035-151	
14	Front Casting	Specify color	464-0160	
15	Retainer	No longer available	4035-311	
16	Flame Element Kit	No longer available	4035-153	
17	Parabolic Reflector	No longer available	4035-309	
18	Split Bushing	No longer available	4021-177	
19	Halogen Bulb		33961	Y
20	Socket Assembly	No longer available	4035-152	
21	Outer Bottom Light Shield	No longer available	4035-322	
22	Box Bottom	No longer available	4035-302	
23	Bottom Light Shield	No longer available	4035-320	
24	Light Shield	No longer available	4035-318	
25	Box Front	No longer available	4035-300	
26	Motor	No longer available	4035-860	
27	Front Reflector	No longer available	4035-316	
28	Snap-in Cord Clip	No longer available	25611	
29	Bi-metal Thermostat	No longer available	4035-808	
30	Box Back	No longer available	4035-301	
31	On/Off, Switch	Qty. 2 req.	SRV32D0232	Y
32	Knob (Thermostat)	No longer available	4035-826	
33	Two Prong Power Cord	No longer available	4030-802	
34	Strain Relief Bushing	No longer available	4030-873	
35	Knob		SRV7000-246	Y
36	Variable Control	No longer available	4035-809	

** Contact your local distributor/dealer to order Casting parts.