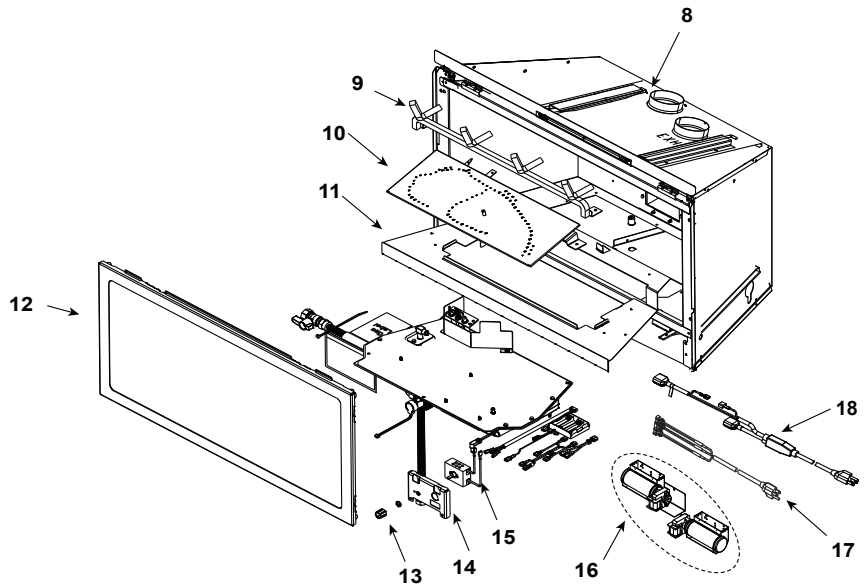


Log Set Assembly



IMPORTANT: THIS IS DATED INFORMATION. Parts must be ordered from a dealer or distributor. **Hearth and Home Technologies does not sell directly to consumers.** Provide model number and serial number when requesting service parts from your dealer or distributor.



Stocked at Depot

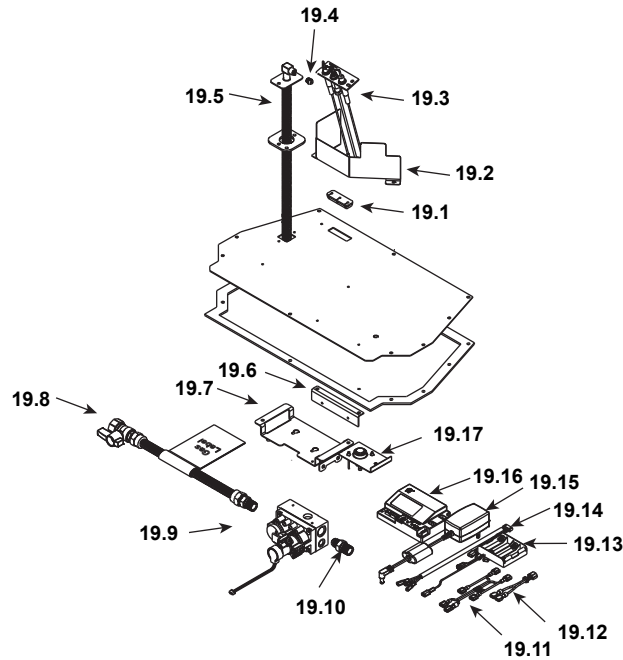
ITEM	DESCRIPTION	COMMENTS	PART NUMBER	Stocked at Depot
	Log Assembly		LOGS-I35	Y
1	Log 1	Pre 5/15/16, Must order complete assembly	SRV2205-702	
2	Log 2		SRV2205-701	
3	Log 3		SRV2205-705	
4	Log 4		SRV2205-704	
5	Log 5		SRV2205-710	
6	Log 6		SRV2205-706	
7	Log 7		SRV2205-703	
8	Termination Plate Assembly	Pre 0023696931	2205-012	
		Post 0023696931	2205-013	
	Flex Pipe Handle		438-351	
	Gasket	Pre 0023696931	2206-401	
		Post 0023696931	2206-178	
9	Grate Assembly		SRV2205-016-BK	
10	Burner Assembly		SRV2205-009-BK	Y
11	Base Pan		SRV2205-127-BK	
12	Glass Door Assembly		GLA-2205	Y
13	Rheostat Knob		SRV100-512	Y
14	Control Panel		SRV2205-129-BK	
15	On/Off Rheostat		2206-800	Y
16	Blower Assembly		GFK-210-C	
17	Power Cord Assembly		2206-068	Y
18	Cord Assembly		2201-017	Y
	Fuse Wire Assembly	Qty 2 req	2206-085	Y

Additional service part numbers appear on following page.

No one builds a better fire

Beginning Manufacturing Date: Aug 2011
Ending Manufacturing Date: Feb 2019

#19 Valve Assembly



IMPORTANT: THIS IS DATED INFORMATION. Parts must be ordered from a dealer or distributor. **Hearth and Home Technologies does not sell directly to consumers.** Provide model number and serial number when requesting service parts from your dealer or distributor.



**Stocked
at Depot**

ITEM	DESCRIPTION	COMMENTS	PART NUMBER	
19.1	Grommet, 3 Hole		SRV2118-420	
19.2	Pilot Shield		SRV2206-120-BK	
19.3	Pilot Assembly NG		2202-013	Y
	Pilot Assembly Propane		2202-014	Y
19.4	Orifice NG (#33C)		582-833	Y
	Orifice Propane (#50C)		582-850	Y
19.5	Flexible Gas Connector		530-302A	Y
19.6	Control Panel Bracket		SRV2205-128	
19.7	Valve Bracket		SRV2205-146	
19.8	Flex Ball Valve Assembly		SRV302-320	Y
19.9	Valve NG		SRV2166-302	Y
	Valve Propane		2166-303	Y
19.10	Brass Connector	Pkg of 5	303-315/5	Y
19.11	Remote Jumper Wire		2103-013	Y
19.12	Jumper Wire		SRV2187-198	Y
19.13	**Battery Pack		SRV2166-323	Y
19.14	Wire Harness		2166-304	Y
19.15	Power Supply		SRV2326-131	Y
19.16	Module		2166-347	Y
19.17	Temp Sensor Assembly		SRV046-018A	Y

**Fuse for battery pack can be sourced locally, not a warranty item. Specs are 250v, 1A fuse, 3/4" long

Additional service part numbers appear on following page.

