

IMPORTANT: THIS IS DATED INFORMATION. Parts must be ordered from a dealer or distributor. **Hearth and Home Technologies does not sell directly to consumers.** Provide model number and serial number when requesting service parts from your dealer or distributor.



Stocked at Depot

ITEM	DESCRIPTION	COMMENTS	PART NUMBER	
1	Face, Top Front	No longer available	21547	
2	Hood	No longer available	4031-209	
3	Grille, Upper	No longer available	22121A	
4	Glass Assembly		GLA4031-539	Y
5	Screen Assembly	No longer available	26802	
6	Grille, Lower	No longer available	21580	
7	Face, Bottom Front	No longer available	21550	
8	Catch Latch Assembly - Qty. 3 req.	No longer available	21952A	
	Catch Latch Assembly - Qty. 3 req.	No longer available	27066	
	Refractory Kit - Metal	No longer available	25357	
		No longer available	29472	
9	Refractory, Left Side	No longer available	26207	
		No longer available	28782	
10	Refractory, Back	No longer available	25365	
		No longer available	28781	
11	Refractory, Right Side	No longer available	26208	
		No longer available	28783	
12	Ashlip	No longer available	21793A	
		No longer available	24927	
13	Fan Kit		GFK21B	
14	Junction Box Kit		22130	Y

Additional service parts on following page.

IMPORTANT: THIS IS DATED INFORMATION. Parts must be ordered from a dealer or distributor. **Hearth and Home Technologies does not sell directly to consumers.** Provide model number and serial number when requesting service parts from your dealer or distributor.

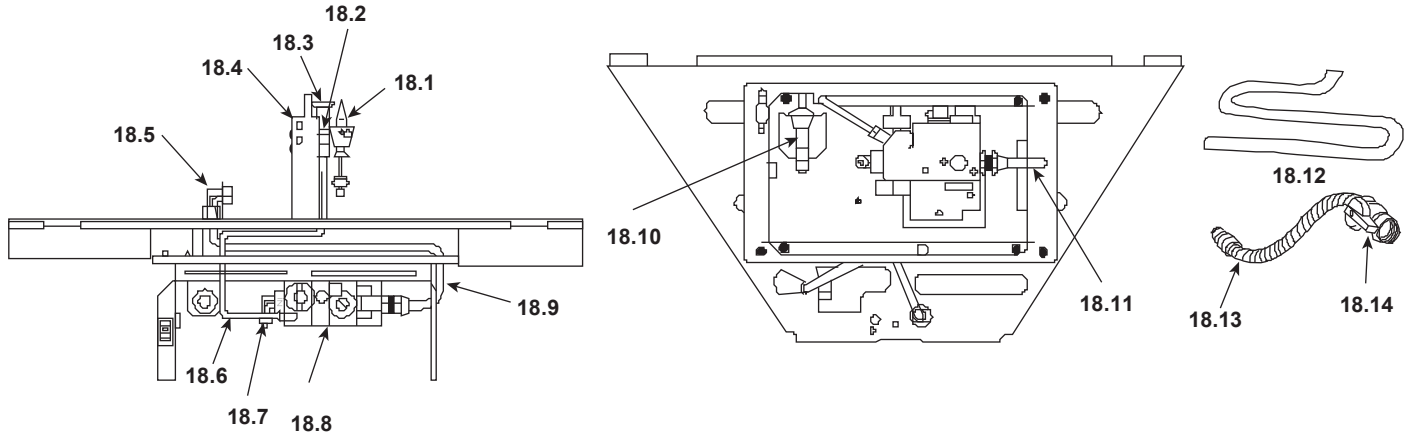


**Stocked
at Depot**

ITEM	DESCRIPTION	COMMENTS	PART NUMBER
<p>#15 Log Assembly</p>			
	Log Set Assembly	Pre 25/96	25/96 thru 19/98
15	Log Assembly - No longer available	22950	25567
15.1	Back Log	SRV23513-N/A	SRV23513-N/A
15.2	Front Log	SRV22936-N/A	SRV22936-N/A
15.3	Top Left Log	SRV22931-N/A	SRV25226-N/A
15.4	Y-Log	SRV25255-N/A	SRV25255-N/A
<p>#16 Split Log Assemblies</p>			
16	Split Log Set	Pre 25/96	25/96 thru 19/98
16.1	Back Log	SRV23513-N/A	SRV23513-N/A
16.2	Front Log	SRV23514-N/A	SRV25470-N/A
16.3	Middle Y-log	SRV23515-N/A	SRV25255-N/A
16.4	Top Log	SRV23516-N/A	SRV25226-N/A
<p>#17 Log Assembly</p>			
		Pre 40/01	Post 40/01
17	Grate/Log Assembly	34923 - N/A	33874 - N/A
17.1	Front Log	SRV27112 - N/A	N/A
17.2	Front Left Log	SRV29611-N/A	SRV33866 - N/A
17.3	Top Left Log	SRV27127-N/A	SRV33864-N/A
17.4	Back Log	SRV28780-N/A	SRV33865 - N/A
17.5	Front Right Log	SRV28790-N/A	SRV33867 - N/A
17.6	Top Right Log	SRV27125 - N/A	SRV33863

Additional service part numbers appear on following page.

#18 Standing Pilot Valve



IMPORTANT: THIS IS DATED INFORMATION. Parts must be ordered from a dealer or distributor. **Hearth and Home Technologies does not sell directly to consumers.** Provide model number and serial number when requesting service parts from your dealer or distributor.

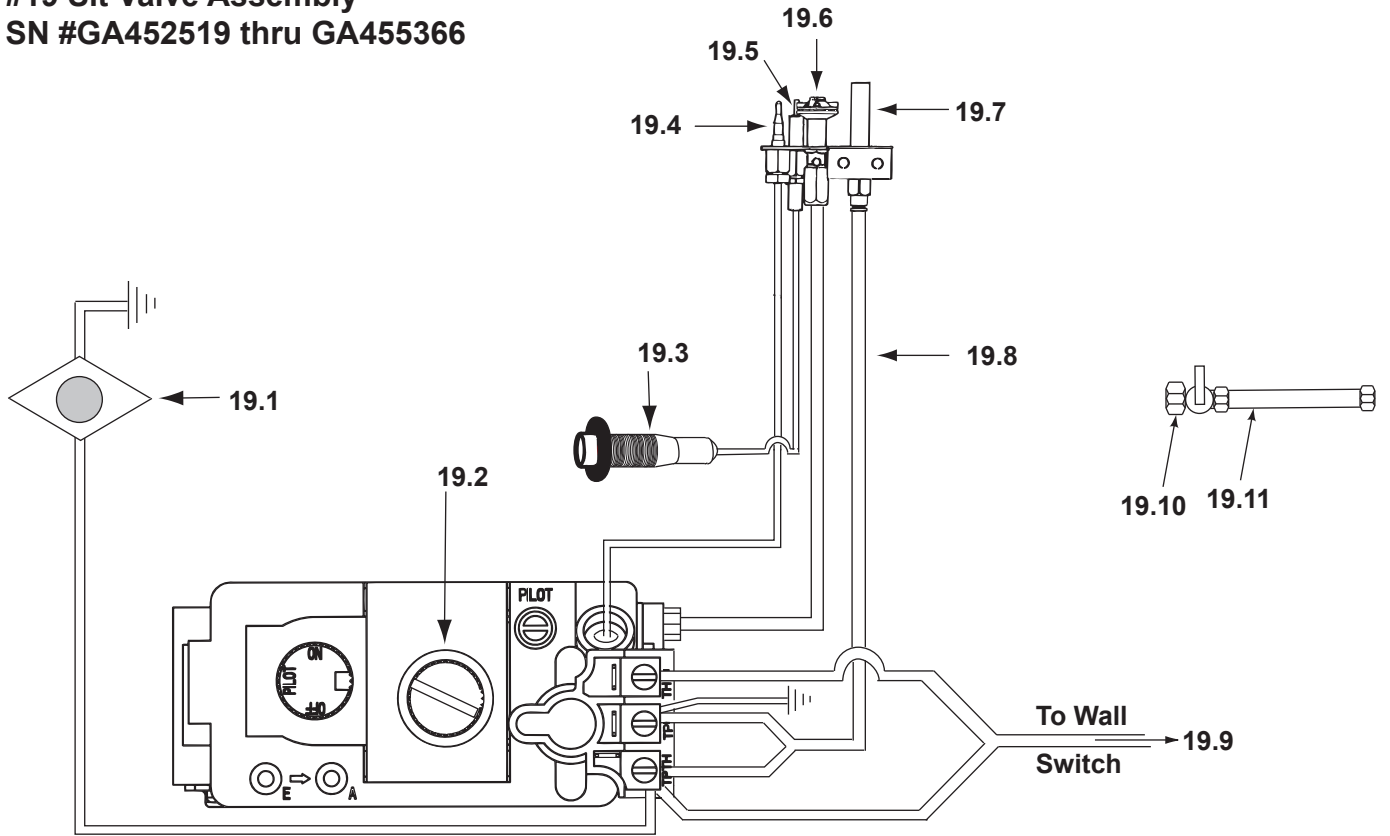


**Stocked
at Depot**

ITEM	DESCRIPTION	COMMENTS	PART NUMBER	
18.1	Thermocouple		SRV72956	Y
18.2	Pilot Orifice (.021) - NG		SRV446-505	Y
	Pilot Orifice (.0115) - LP		SRV446-517	Y
18.3	Pilot Assembly - NG		4021-732	Y
	Pilot Assembly - LP		4021-733	Y
18.4	Thermopile		2103-512	Y
18.5	Brass Elbow	No longer available	13908B	
		Post 19/98	SRV17524	
18.6	Pilot Tube Kit (unassembled)	Pre 19/98	26471	Y
18.7	Brass Connector - Flex		SRV4021-045	
18.8	Valve - NG (Robertshaw)	Pre 18/02	SRV23363	Y
		Post 18/02	SRV24033	Y
	Valve - LP (Robertshaw)	Pre 18/02	SRV25812	Y
		Post 18/02	SRV24034	Y
18.9	Burner Supply Tube	Pre 19/98	26482	Y
		Post 19/98	27002	Y
18.10	Push Button Ignitor		291-513	Y
18.11	Brass Connector - Male		SRV13425	
18.12	Main Burner Tube	Pre 19/98	SRV21572	Y
	Burner Pan Assembly	Post 19/98	27741	Y
18.13	Flex Gas Line, 16 in.		SRV4121-006	Y
18.14	ON/OFF Valve		SRV15697	Y
	Burner Orifice - NG/.101		SRV13410	Y
	Burner Orifice - LP/.059		SRV13445	Y

Additional service part numbers appear on following page.

#19 Sit Valve Assembly
SN #GA452519 thru GA455366



IMPORTANT: THIS IS DATED INFORMATION. Parts must be ordered from a dealer or distributor. **Hearth and Home Technologies does not sell directly to consumers.** Provide model number and serial number when requesting service parts from your dealer or distributor.



**Stocked
at Depot**

ITEM	DESCRIPTION	COMMENTS	PART NUMBER	
19.1	High Limit Switch		SRV24967	Y
19.2	Valve - NG		418-500	Y
	Valve - LP		418-501	Y
19.3	Push Button Ignitor		291-513	Y
19.4	Thermocouple		SRV72956	Y
19.5	Ignitor	No longer available	SRV30639	
19.6	Pilot Assembly - NG	No longer available	30200	
	Pilot Assembly - LP	No longer available	30201	
19.7	Thermopile		2103-512	Y
19.8	Pilot Supply Tube	No longer available	30064	
19.9	Wall Switch Wire Assembly	No longer available	14720	
19.10	ON/OFF Valve		SRV15697	Y
19.11	Flex Gas Line, 16 in.		SRV4121-006	Y
	Burner Orifice - NG/.101		SRV13410	Y
	Burner Orifice - LP/.059		SRV13445	Y

Additional service part numbers appear on following page.

IMPORTANT: THIS IS DATED INFORMATION. Parts must be ordered from a dealer or distributor. **Hearth and Home Technologies does not sell directly to consumers.** Provide model number and serial number when requesting service parts from your dealer or distributor.



**Stocked
at Depot**

ITEM	DESCRIPTION	COMMENTS	PART NUMBER	
	Back Spacer	No longer available	24864A	
	Glass Clips - Qty 4 req	Pkg of 2	33858/2	Y
	Glass Gasket	10 Ft	28091/10	
	Glass Retainer	Qty 2 req	26798	
	Hearth Sheet	No longer available	23675	
		No longer available	26852	
	Hood, Extended	No longer available	30181	
	Latch Bracket		29458	
	Lava Rock Retainer	No longer available	26952	
	Nailing Flange	Qty 6 req	SRV31190	
	Pilot Bracket	No longer available	21588	
		No longer available	26872	
	Screen Bracket	No longer available	SRV28159	
	Water/Wind Deflector	No longer available	24920	
	Wool, Rock & Vermiculite		SRV4040-094	
	Lava Rock		SRV4021-296	
	Mineral Wool		SRV14333	
	Vermiculite		28746	
Standing Pilot				
	Bulkhead	Post 19/98	26457	Y
	High Limit Switch		SRV24967	Y
	Valve Bracket	No longer available	26793	
		No longer available	26851	
	Wall Switch Wire Assembly	No longer available	14720	
		Post 19/98	SRV28602	Y
	Conversion Kit NG		CKN	Y
	Conversion Kit LP		CKP	Y
S.I.T Valve				
	Brass Connector - Flex		SRV4021-045	
	Brass Elbow		SRV17524	
	Burner Supply Tube		27002	Y
	Ground Wire	No longer available	25405	
	Valve Bracket	No longer available	30060	
	Conversion Kit NG	No longer available	SCKN	
	Conversion Kit LP	No longer available	SCKP	
	Pilot Orifice (.51) - NG	No longer available	200-2420	
	Pilot Orifice (.30) - LP	No longer available	30636	