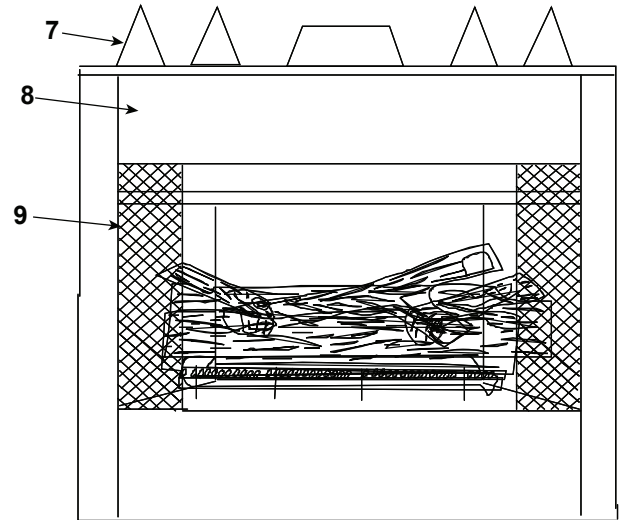
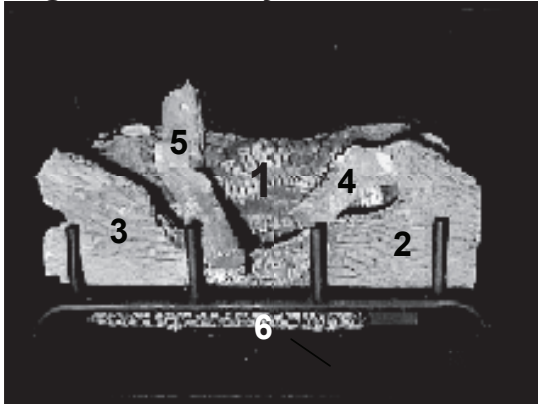


**Log Set Assembly**



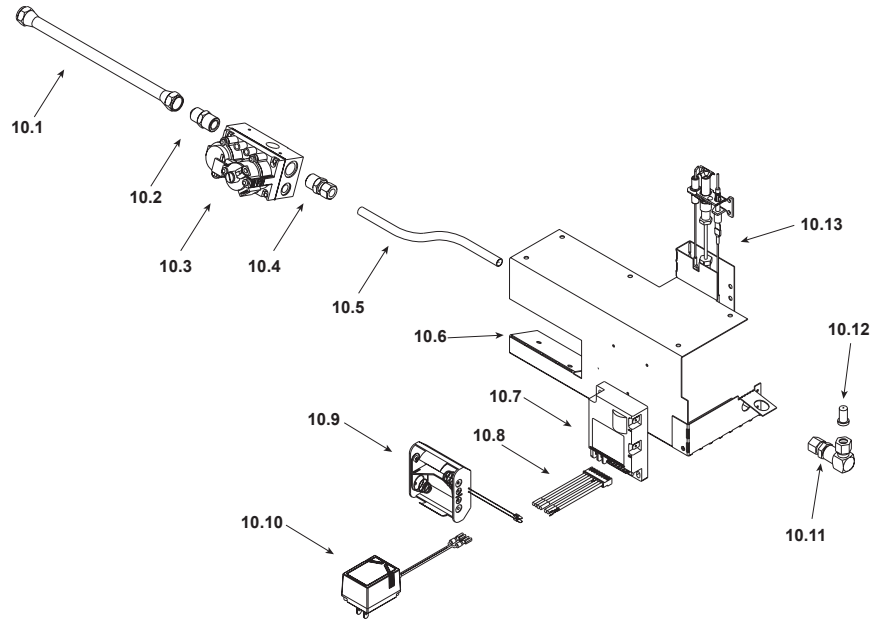
IMPORTANT: THIS IS DATED INFORMATION. Parts must be ordered from a dealer or distributor. **Hearth and Home Technologies does not sell directly to consumers.** Provide model number and serial number when requesting service parts from your dealer or distributor.



**Stocked at Depot**

ITEM	DESCRIPTION	COMMENTS	PART NUMBER	
	<b>Grate/Log Assembly</b>		32950	<b>Y</b>
1	Log, Back		SRV33228	
2	Log, Right Bottom		SRV32951	
3	Log, Left Bottom		SRV33238	
4	Log, Top Right		SRV32656	
5	Log, Left Top		SRV32654	
6	Log, Hearth		SRV32913	
7	Standoff, Top Front	Qty 4 req	11864i	
8	Face, Top Front	<b>No longer available</b>	32818	
9	Firescreen Assembly	<b>No longer available</b>	32734	
	Firescreen Rod	<b>No longer available</b>	16282A	
	Access Panel	<b>No longer available</b>	32454	
	Air Deflector, 42" Top - IPI only	<b>No longer available</b>	33198	
	Air Deflector, Back Baffle	<b>No longer available</b>	13961	
	Burner Secondary - LP only		33235	<b>Y</b>
	Burner Support - LP only	<b>No longer available</b>	32455	
	Door Track	<b>No longer available</b>	24739A	
	High Limit Switch		SRV24672	<b>Y</b>
	Hood	<b>No longer available</b>	32520	
	Lava Rock		4021-296	
	Mineral Wool		SRV14333	
	Vermiculite		28746	
	Wire Assembly-Wall Switch		SRV28602	<b>Y</b>

**#10 Valve Assembly**



IMPORTANT: THIS IS DATED INFORMATION. Parts must be ordered from a dealer or distributor. **Hearth and Home Technologies does not sell directly to consumers.** Provide model number and serial number when requesting service parts from your dealer or distributor.



**Stocked at Depot**

ITEM	DESCRIPTION	COMMENTS	PART NUMBER	
10.1	Flexline 16"		SRV4121-006	Y
10.2	Brass Fitting	Pkg of 5	303-315/5	Y
10.3	Valve NG		SRV593-500	Y
	Valve LP		SRV593-501	Y
10.4	Male connector		13425	
10.5	Orifice Tube	No longer available	33630	
10.6	Valve Bracket	No longer available	32370	
10.7	Ignition Control - IPI only		SRV593-592	Y
10.8	Wire assembly		SRV593-590	Y
10.9	Battery Pack		SRV593-594	Y
10.10	Adapter, 3V - IPI only		SRV593-593	Y
10.11	Bulkhead		26457	Y
10.12	Burner Orifice LP Secondary .048	No longer available	33140	
	Burner Orifice NG (.115)		SRV26617	Y
	Burner Orifice LP (.048)		SRV14047	Y
10.13	Pilot Assembly NG	Pre 33/02	SRV4021-730	Y
		34/02-12/03	SRV35410	Y
		Post 13/03	4021-584	Y
	Pilot Assembly LP	Pre 33/02	SRV4021-731	Y
		No longer available	35411	
		Post 13/03	4021-585	Y
	On/OFF Valve		SRV15697	Y