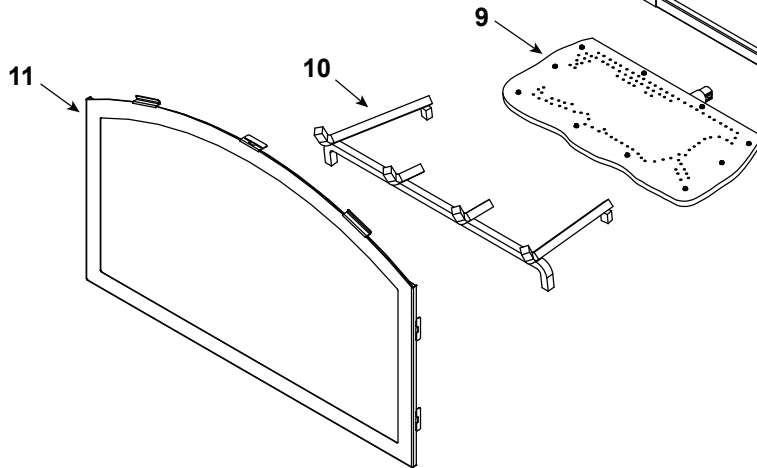
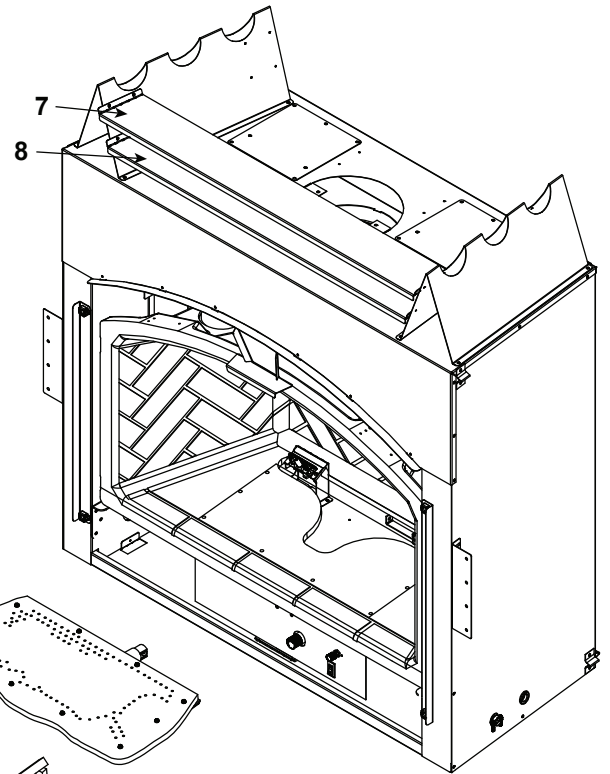


No one builds a better fire

42" Gas Fireplace - DV

Beginning Manufacturing Date: July 2005  
Ending Manufacturing Date: Aug 2006

### Log Set Assembly



**IMPORTANT: THIS IS DATED INFORMATION.** Parts must be ordered from a dealer or distributor. **Hearth and Home Technologies does not sell directly to consumers.** Provide model number and serial number when requesting service parts from your dealer or distributor.

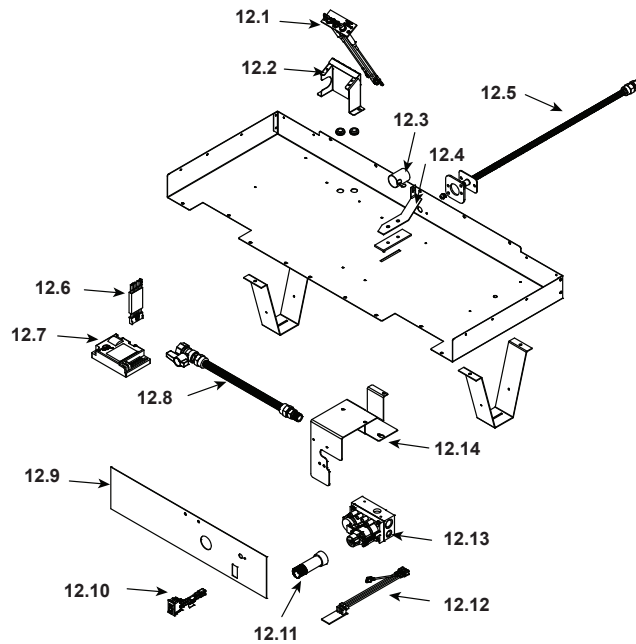


**Stocked at Depot**

ITEM	DESCRIPTION	COMMENTS	PART NUMBER	
	Log Set Assembly		LOGS-GEM42	Y
1	Log 1	<b>No longer available, Must order complete assembly</b>	SRV371-700	
2	Log 2		SRV371-701	
3	Log 3		SRV371-702	
4	Log 4		SRV371-704	
5	Log 5		SRV371-703	
6	Log 6		SRV371-705	
7	Top Heat Shield	<b>No longer available</b>	371-140	
8	Heat Shield	<b>No longer available</b>	371-130	
9	Burner NG, LP		SRV2096-005	Y
10	Grate Assembly	<b>No longer available</b>	370-361A	
11	Glass Door Assembly	<b>No longer available</b>	GLA-GEM42B	

Additional service part numbers appear on following page.

### #12 Valve Assembly



IMPORTANT: THIS IS DATED INFORMATION. Parts must be ordered from a dealer or distributor. **Hearth and Home Technologies does not sell directly to consumers.** Provide model number and serial number when requesting service parts from your dealer or distributor.



**Stocked  
at Depot**

ITEM	DESCRIPTION	COMMENTS	PART NUMBER	
12.1	Pilot Assembly NG		2095-009	Y
	Pilot Assembly LP		2095-010	Y
12.2	Pilot Bracket		370-165	
12.3	Shutter Sleeve		2026-130	Y
12.4	Shutter Bracket Assembly	No longer available	2026-017	
12.5	Flexible Gas Connector		2005-009	Y
12.6	Module Wire Assembly		SRV593-590	Y
12.7	Module		SRV593-592	Y
12.8	Flex Ball Valve Assembly		SRV302-320	Y
12.9	Control Panel	No longer available	370-153	
12.10	On/ Off Rocker Switch	Pre 002853192	N/A	
		Post 002853192	060-521A	Y
12.11	Flame control Knob	No longer available	571-530	
12.12	3 Minute Delay Circuit		370-216	Y
12.13	Valve NG		750-500	Y
	Valve LP		750-501	Y
12.14.	Valve Bracket	No longer available	370-155	
	Battery Pack		SRV593-594	Y
	Orifice NG (#29C)		SRV582-829	Y
	Orifice LP (#48C)		SRV582-848	Y

Additional service part numbers appear on following page.

No one builds a better fire

Beginning Manufacturing Date: July 2005  
Ending Manufacturing Date: Aug 2006

IMPORTANT: THIS IS DATED INFORMATION. Parts must be ordered from a dealer or distributor. **Hearth and Home Technologies does not sell directly to consumers.** Provide model number and serial number when requesting service parts from your dealer or distributor.



**Stocked  
at Depot**

ITEM	DESCRIPTION	COMMENTS	PART NUMBER	
	Actuator Pins		HTI-17-116	Y
	Control Box		HTI-13-007	Y
	Cover Plate	No longer available	HTI-21-007	
	Decorative Front	No longer available	CHA-GEM42-BK	
	Exhaust Baffle		371-190A	
	Fan Kit		GFK-160A	
	Fiberglass Rope		060-455	
	Glass Latch Assembly	Pkg of 2	386-122A/2	Y
	Junction Box		SRV4021-013	Y
	Mineral Wool		050-721	
	Non-Combustible Board (2 sides)	No longer available	2096-030	
	Non-Combustible Board (Header)	No longer available	2096-120	
	Patch Kit		PATCHKIT-FB	
	Paint Touch-up Kit	No longer available	TAN-KIT	
	PCB Assembly		370-212A	
	Solenoid - 110 Volt Hi/Lo		HTI-17-006	Y
	Switch Kit w/wires		HTI-25-007	Y
	Template	No longer available	GEM42-TEMPLATE	
	Trim Door Mesh	No longer available	MESH-GEM42	
	Vermiculite Embers		MYSTIC-EMBERS	
	Wall Switch	No longer available	WSK210-HNG	
		Post 002853192	WSK-MLT	
	Wall Switch/Keypad		HTI-12-007	Y
	Wire, Wall Switch		SRV2095-550	Y
	Conversion Kit NG		N/A	
	Conversion Kit LP	No longer available	LPK-GEM-42B	
	Pilot Orifice NG		SRV593-528	Y
	Pilot Orifice LP		SRV593-527	Y
	Regulator NG		SRVNGK-DXV	Y
	Regulator LP		SRVLPK-DXV	Y