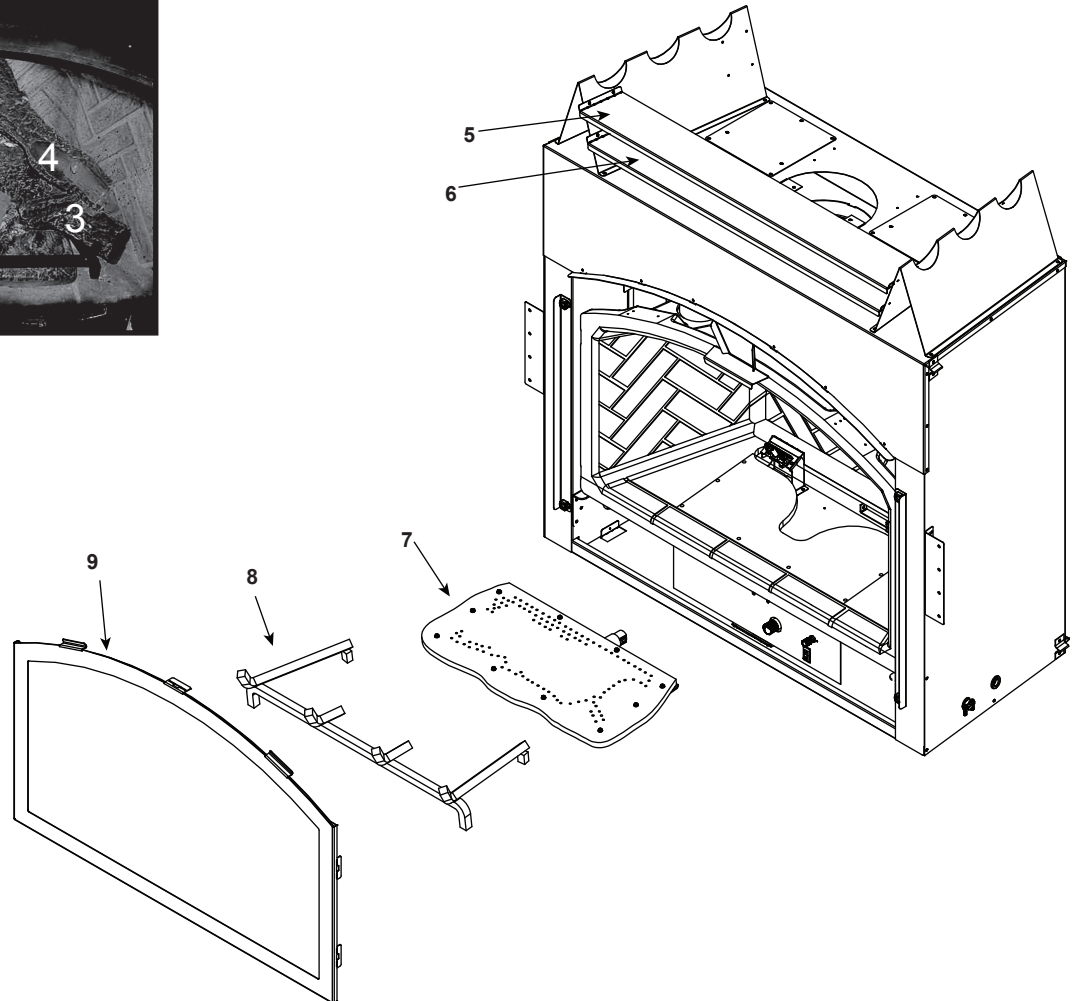
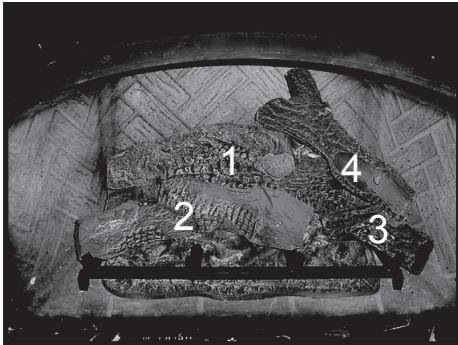


Log Set Assembly



IMPORTANT: THIS IS DATED INFORMATION. Parts must be ordered from a dealer or distributor. **Hearth and Home Technologies does not sell directly to consumers.** Provide model number and serial number when requesting service parts from your dealer or distributor.

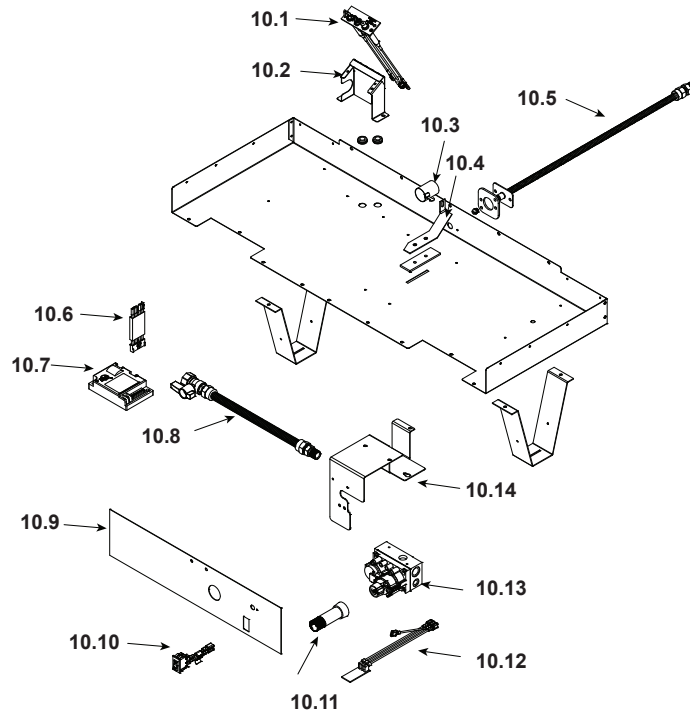


**Stocked
at Depot**

ITEM	DESCRIPTION	COMMENTS	PART NUMBER	
	Log Set Assembly		LOGS-GEM36	Y
1	Log 1	No longer available, Must order complete assembly	SRV370-700	
2	Log 2		SRV370-701	
3	Log 3		SRV370-702	
4	Log 4		SRV582-705	
5	Top Heat Shield	No longer available	370-140	
6	Heat Shield	No longer available	370-130	
7	Burner NG, LP		SRV2095-005	Y
8	Grate Assembly	No longer available	370-361A	
9	Glass Door Assembly	No longer available	GLA-GEM36B	

Additional service part numbers appear on following page.

#10 Valve Assembly



IMPORTANT: THIS IS DATED INFORMATION. Parts must be ordered from a dealer or distributor. **Hearth and Home Technologies does not sell directly to consumers.** Provide model number and serial number when requesting service parts from your dealer or distributor.



**Stocked
at Depot**

ITEM	DESCRIPTION	COMMENTS	PART NUMBER	
10.1	Pilot Assembly NG		2095-009	Y
	Pilot Assembly LP		2095-010	Y
10.2	Pilot Bracket		370-165	
10.3	Shutter Sleeve		2026-130	Y
10.4	Shutter Bracket Assembly	No longer available	2026-017	
10.5	Flexible Gas Connector		2005-009	Y
10.6	Module Wire Assembly		SRV593-590	Y
10.7	Module		SRV593-592	Y
10.8	Flex Ball Valve Assembly		SRV302-320	Y
10.9	Control Panel	No longer available	370-153	
10.10	On/ Off Rocker Switch	Pre 002852183	N/A	
		Post 002852183	060-521A	Y
10.11	Flame Control Knob	No longer available	571-531	
10.12	3 Minute Delay Circuit		370-216	Y
10.13	Valve NG		750-500	Y
	Valve LP		750-501	Y
10.14	Valve Bracket	No longer available	370-155	

Additional service part numbers appear on following page.

No one builds a better fire

Beginning Manufacturing Date: July 2005
Ending Manufacturing Date: Aug 2006

IMPORTANT: THIS IS DATED INFORMATION. Parts must be ordered from a dealer or distributor. **Hearth and Home Technologies does not sell directly to consumers.** Provide model number and serial number when requesting service parts from your dealer or distributor.



**Stocked
at Depot**

ITEM	DESCRIPTION	COMMENTS	PART NUMBER	
	Actuator Pins		HTI-17-116	Y
	Battery Pack		SRV593-594	Y
	Control Box		HTI-13-007	Y
	Cover Plate	No longer available	HTI-21-007	
	Decorative Front	No longer available	CHA-GEM36-BK	
	Fan Kit		GFK-160A	
	Fiberglass Rope		060-455	
	Flue Restrictor	No longer available	370-190A	
	Glass Latch Assembly	Pkg of 2	386-122A/2	Y
	Junction Box		SRV4021-013	Y
	Mineral Wool		050-721	
	Non-Combustible Board (2 sides)	No longer available	2095-030	
	Non-Combustible Board (Header)	No longer available	2095-120	
	Orifice NG (#32C)		SRV582-832	Y
	Orifice LP (#50C)		582-850	Y
	Patch Kit		PATCHKIT-FB	
	Paint Touch-up Kit	No longer available	TAN-KIT	
	Solenoid - 110 Volt Hi/Lo		HTI-17-006	Y
	Switch Kit w/wires		HTI-25-007	Y
	Template	No longer available	GEM36-TEMPLATE	
	Touch Up Paint		TUP-GBK-12	
	Trim Door Mesh	No longer available	MESH-GEM36	
	Vermiculite Embers		MYSTIC-EMBERS	
	Wall Switch		WSK-MLT	
	Wall Switch/Keypad		HTI-12-007	Y
	Wire, Wall Switch		SRV2095-550	Y
	Conversion Kit NG		N/A	
	Conversion Kit LP	No longer available	LPK-GEM-36B	
	Pilot Orifice NG		SRV593-528	Y
	Pilot Orifice LP		SRV593-527	Y
	Regulator NG		SRVNGK-DXV	Y
	Regulator LP		SRVLPK-DXV	Y