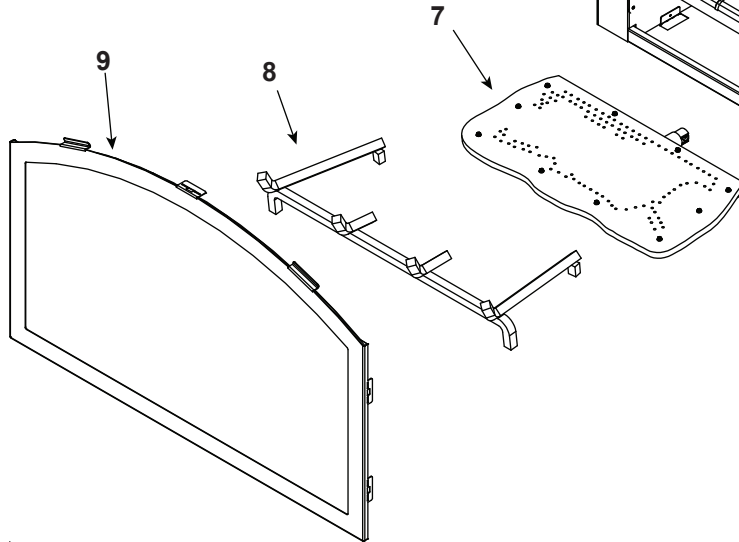
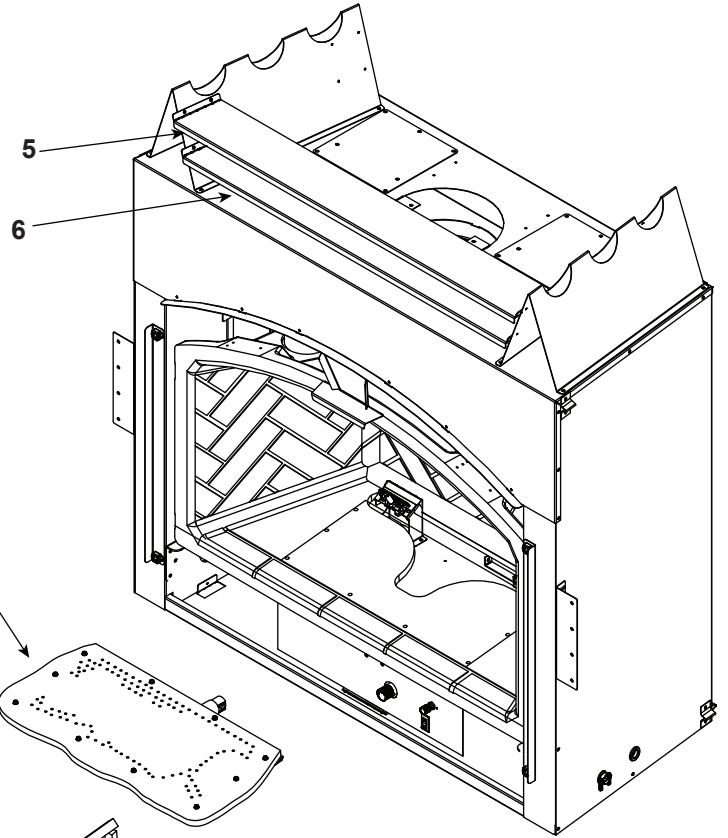


### Log Set Assembly



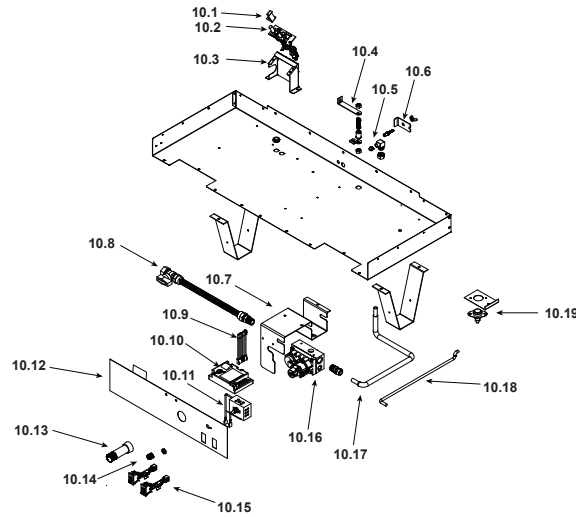
IMPORTANT: THIS IS DATED INFORMATION. Parts must be ordered from a dealer or distributor. **Hearth and Home Technologies does not sell directly to consumers.** Provide model number and serial number when requesting service parts from your dealer or distributor.



**Stocked at Depot**

ITEM	DESCRIPTION	COMMENTS	PART NUMBER	
	Log Set Assembly		LOGS-GEM36	Y
1	Log 1	<b>No longer available, Must order complete assembly</b>	SRV370-700	
2	Log 2		SRV370-701	
3	Log 3		SRV370-702	
4	Log 4		SRV582-705	
5	Heat Shield	<b>No longer available</b>	370-130	
6	Top Heat Shield	<b>No longer available</b>	370-140	
7	Burner		SRV370-380A	Y
8	Log Grate	<b>No longer available</b>	370-361A	
9	Glass Door Assembly	<b>No longer available</b>	GLA-GEM36	

### #10 Valve Assembly



IMPORTANT: THIS IS DATED INFORMATION. Parts must be ordered from a dealer or distributor. **Hearth and Home Technologies does not sell directly to consumers.** Provide model number and serial number when requesting service parts from your dealer or distributor.



**Stocked  
at Depot**

ITEM	DESCRIPTION	COMMENTS	PART NUMBER	
10.1	Ground Strap	No longer available	385-512	
10.2	Pilot Assembly NG		2095-009	Y
	Pilot Assembly LP		2095-010	Y
10.3	Pilot Bracket		370-165	
10.4	Shutter Bracket	No longer available	319-167	
10.5	Burner Orifice NG (#32C)		SRV582-832	Y
	Burner Orifice LP (#50C)		582-850	Y
10.6	Orifice Bracket	No longer available	370-120	
10.7	Valve Bracket	No longer available	370-155	
10.8	Flex Ball Valve Assembly		SRV302-320	Y
10.9	Wire Assembly		SRV593-590	Y
10.10	Module		SRV593-592	Y
10.11	Rheostat Assembly		SRV100-510A	Y
10.12	Control Panel			
	Delay Circuit		370-216	Y
	Wiring Harness		370-590A	
10.13	Flame Control Knob	No longer available	571-531	
10.14	Rheostat Knob - Black		SRV100-512	Y
10.15	ON/OFF Rocker Switch		060-521A	Y
10.16	Valve NG		750-500	Y
	Valve LP		750-501	Y
10.17	Flexible Gas Connector		567-301A	Y
10.18	Shutter Rod	No longer available	370-350	
10.19	Temp Sensor		107-531A	Y

Additional service part numbers on following page.

No one builds a better fire

Beginning Manufacturing Date: July 2002

Ending Manufacturing Date: July 2005

IMPORTANT: THIS IS DATED INFORMATION. Parts must be ordered from a dealer or distributor. **Hearth and Home Technologies does not sell directly to consumers.** Provide model number and serial number when requesting service parts from your dealer or distributor.



**Stocked  
at Depot**

ITEM	DESCRIPTION	COMMENTS	PART NUMBER	
	20 inch Wire Harness		107-559A	Y
	3V Adaptor Plug		SRV593-593	Y
	Battery Pack		SRV593-594	Y
	Decorative Front	No longer available	CHA-GEM36-BK	
	Fan Kit		GFK-160A	
	Fiber Patch Kit		PATCHKIT-FB	
	Paint Touch-up Kit	No longer available	TAN-KIT	
	Fiberglass Rope		060-455	
	Flue Restrictor Assembly	No longer available	370-190A	
	Golden Embers		GE-93	Y
	Junction Box	Pre May 2004	383-250A	Y
		Post May 2004	SRV4021-013	Y
	Mineral Wool		050-721	
	PCB Board / SID Card		370-212A	
	Pilot Support		385-120	
	Remote		SMART-STAT-HHT	
	Template	No longer available	GEM36-TEMPLATE	
	Trim Door Mesh	No longer available	MESH-GEM36	
	Vermiculite Embers		MYSTIC-EMBERS	
	Conversion Kit NG		N/A	
	Conversion Kit LP	No longer available	LPK-GEM-36B	
	Pilot Orifice NG		SRV593-528	Y
	Pilot Orifice LP		SRV593-527	Y
	Regulator NG		SRVNGK-DXV	Y
	Regulator LP		SRVLPK-DXV	Y