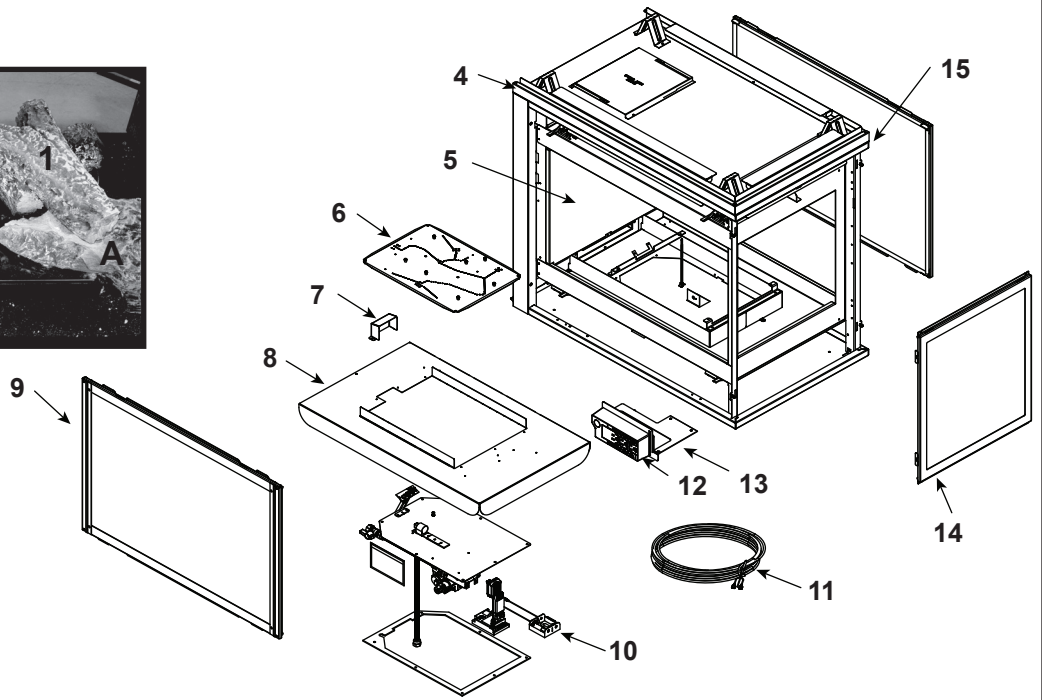
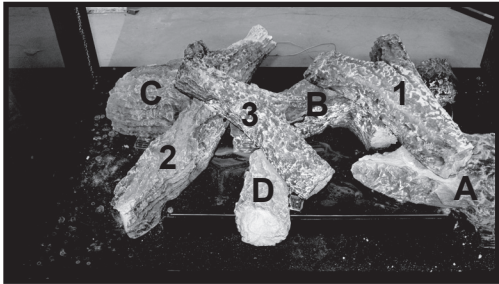


Log Set Assembly



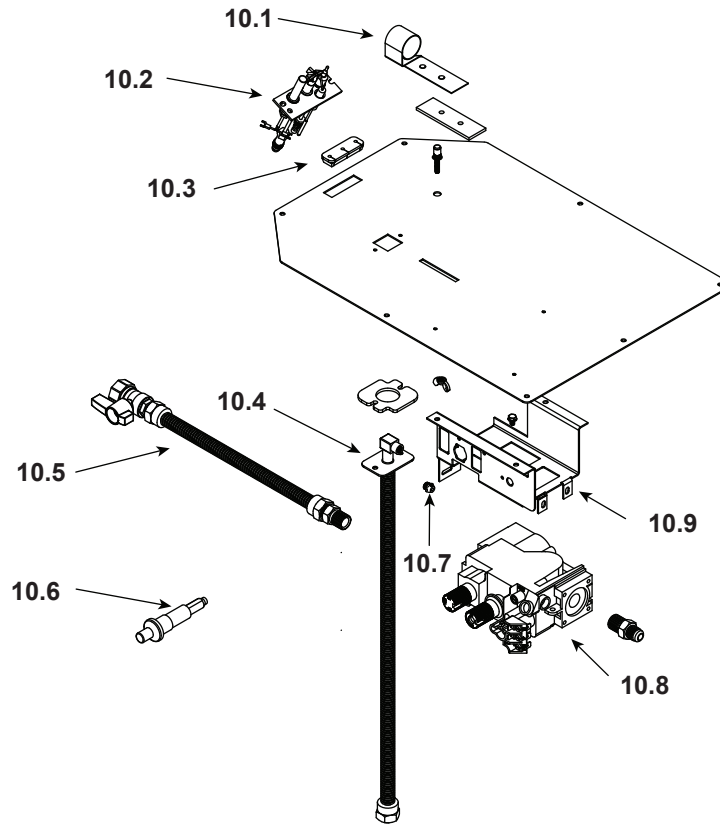
IMPORTANT: THIS IS DATED INFORMATION. Parts must be ordered from a dealer or distributor. **Hearth and Home Technologies does not sell directly to consumers.** Provide model number and serial number when requesting service parts from your dealer or distributor.



Stocked at Depot

ITEM	DESCRIPTION	COMMENTS	PART NUMBER	
	Log Set Assembly		LOGS-2129	Y
A	Log A	No longer available, Must order complete assembly	SRV2129-701	
B	Log B		SRV2129-703	
C	Log C		SRV2129-702	
D	Log D		SRV2129-706	
1	Log 1		SRV2129-704	
2	Log 2		SRV2129-705	
3	Log 3		SRV2129-707	
4	Sheetrock Ledge (side)		2130-118	
5	Refractory Panel		SRV2129-016	
6	Burner NG, LP		2128-007	Y
7	Pilot Shield		2128-124	
8	Base Pan		2132-115	
9	Glass Door Assembly (Side)		GLA-6TROC	Y
10	Valve Assembly		Refer to valve page	
11	Thermostat Wire		2118-170	Y
12	Junction Box		4021-013	Y
13	Junction Box Bracket		2128-128	
14	Glass Door Assembly (End)		GLA-2130	Y
15	Sheetrock Ledge (End)		2130-126	
	Surround Overlay (contains overlay for top, bottom and sides)		SRV2130-FACE	

#10 Valve Assembly



IMPORTANT: THIS IS DATED INFORMATION. Parts must be ordered from a dealer or distributor. **Hearth and Home Technologies** does not sell directly to consumers. Provide model number and serial number when requesting service parts from your dealer or distributor.



**Stocked
at Depot**

ITEM	DESCRIPTION	COMMENTS	PART NUMBER	
10.1	Shutter Bracket Assembly		2118-121	Y
10.2	Pilot Assembly NG		2103-010	Y
	Pilot Assembly LP		2103-011	Y
	Pilot Tube		SRV485-301	Y
	Thermocouple		2103-511	Y
	Thermopile		2103-512	Y
10.3	3-Hole Grommet		SRV2118-420	
10.4	Flexible Gas Connector		530-302A	Y
10.5	Flex Ball Valve Assembly		SRV302-320	Y
10.6	Piezo Ignitor		SRV14D0503	Y
10.7	Orifice NG (#32C)		SRV582-832	Y
	Orifice LP (#50C)		582-850	Y
10.8	Valve NG		SRV230-0710	Y
	Valve LP		SRV230-0720	Y
10.9	Valve Bracket		2118-104	

Additional service part numbers appear on following page.

